

ESP8684-MINI-1

ESP8684-MINI-1U

Datasheet Version 1.0

Small-sized 2.4 GHz Wi-Fi (802.11 b/g/n) and Bluetooth® 5 module
Built around ESP8684 series of SoCs, RISC-V single-core microprocessor
14 GPIOs
On-board PCB antenna or external antenna connector



ESP8684-MINI-1



ESP8684-MINI-1U



1 Module Overview

Note:

Check the link or the QR code to make sure that you use the latest version of this document:
https://espressif.com/documentation/esp8684-mini-1_mini-1u_datasheet_en.pdf



1.1 Features

CPU and On-Chip Memory

- ESP8684H2X or ESP8684H4X embedded, 32-bit RISC-V single-core processor, up to 120 MHz
- 576 KB ROM
- 272 KB SRAM (16 KB for cache)
- In-Package flash (see details in Table 1 and Table 2)
- Access to flash accelerated by cache
- Supports flash in-Circuit Programming (ICP)

Wi-Fi

- 802.11 b/g/n
- Center frequency range of operating channel: 2412 ~ 2484 MHz
- Supports 20 MHz bandwidth in 2.4 GHz band
- 1T1R mode with data rate up to 72.2 Mbps
- Wi-Fi Multimedia (WMM)
- TX/RX A-MPDU, TX/RX A-MSDU
- Immediate Block ACK
- Fragmentation and defragmentation
- Transmit opportunity (TXOP)
- Automatic Beacon monitoring (hardware TSF)
- 3 × virtual Wi-Fi interfaces
- Simultaneous support for Infrastructure BSS in Station mode, SoftAP mode, Station + SoftAP mode, and promiscuous mode

Note that when ESP8684 series scans in Station mode, the SoftAP channel will change along with the Station channel

Bluetooth®

- Bluetooth LE: Bluetooth 5.3 certified
- High power mode (20 dBm)
- Speed: 125 kbps, 500 kbps, 1 Mbps, 2 Mbps
- Advertising extensions
- Multiple advertisement sets
- Channel selection algorithm #2
- Internal co-existence mechanism between Wi-Fi and Bluetooth to share the same antenna

Peripherals

- 14 GPIOs available for use
 - 2 strapping GPIOs
- GPIO, SPI, UART, I2C, LED PWM controller, general DMA controller, SAR ADC, temperature sensor, general-purpose timers, system timers, and watchdog timers

Note:

* Please refer to [ESP8684 Series Datasheet](#) for detailed information about the module peripherals.

Integrated Components on Module

- 26 MHz crystal oscillator

Antenna Options

- ESP8684-MINI-1: On-board PCB antenna
- ESP8684-MINI-1U: External antenna via a connector

- Operating ambient temperature: $-40 \sim 105 \text{ }^{\circ}\text{C}$

Certification

- RF certification: See [certificates](#)
- Green certification: RoHS/REACH

Operating Conditions

- Operating voltage/Power supply: $3.0 \sim 3.6 \text{ V}$

Test

- HTOL/HTSL/uHAST/TCT/ESD/Latch-up

1.2 Series Comparison

ESP8684-MINI-1 and ESP8684-MINI-1U are two general-purpose Wi-Fi and Bluetooth LE modules. The rich set of peripherals and a small size make the two modules an ideal choice for smart homes, industrial automation, health care, consumer electronics, etc.

The series comparison for the two modules is as follows:

Table 1: ESP8684-MINI-1 (ANT) Series Comparison¹

Ordering Code	In-Package flash ^{2,3}	Chip Revision ⁴	Ambient Temp. ⁵ ($^{\circ}\text{C}$)	Size ⁶ (mm)
ESP8684-MINI-1-H2X	2 MB	v2.0	$-40 \sim 105$	$13.2 \times 16.6 \times 2.4$
ESP8684-MINI-1-H4X	4 MB			

¹ This table shares the same notes presented in Table 2 below.

Table 2: ESP8684-MINI-1U (CONN) Series Comparison

Ordering Code	In-Package flash ¹	Chip Revision ⁴	Ambient Temp. ⁵ ($^{\circ}\text{C}$)	Size ⁶ (mm)
ESP8684-MINI-1U-H2X	2 MB	v2.0	$-40 \sim 105$	$13.2 \times 12.5 \times 2.4$
ESP8684-MINI-1U-H4X	4 MB			

² The in-package flash supports:

- More than 100,000 program/erase cycles
- More than 20 years data retention time

³ By default, the SPI flash on the module operates at a maximum clock frequency of 60 MHz and does not support the auto suspend feature. If you need the flash auto suspend feature, please [contact us](#).

⁴ Compared to previous chip versions, chip version v2.0 provides an additional 20 KB of SRAM and approximately 100 KB of flash memory (subject to actual application).

⁵ Ambient temperature specifies the recommended temperature range of the environment immediately outside the Espressif module.

⁶ For details, refer to Section 10 [Physical Dimensions](#).

ESP8684-MINI-1 comes with a PCB antenna. ESP8684-MINI-1U comes with a connector for an external antenna. Both ESP8684-MINI-1 and ESP8684-MINI-1U are available in two variants that integrate the

ESP8684H2X and ESP8684H4X chip respectively.

The ESP8684H2X and the ESP8684H4X chip fall into the same category, namely ESP8684 chip series. ESP8684 series of chips have a 32-bit RISC-V single-core processor. They integrate a rich set of peripherals including GPIO, SPI, UART, I2C, LED PWM controller, general DMA controller, SAR ADC, temperature sensor, general-purpose timers, system timers, and watchdog timers.

ESP8684H2X and ESP8684H4X chip vary only in the size of system in package (SiP) flash. For details, please refer to *ESP8684 Series Comparison* in [ESP8684 Series Datasheet](#).

1.3 Applications

- Smart Home
- Industrial Automation
- Health Care
- Consumer Electronics
- Smart Agriculture
- POS Machines
- Service Robot
- Generic Low-power IoT Sensor Hubs
- Generic Low-power IoT Data Loggers

Contents

1	Module Overview	2
1.1	Features	2
1.2	Series Comparison	3
1.3	Applications	4
2	Block Diagram	9
3	Pin Definitions	10
3.1	Pin Layout	10
3.2	Pin Description	10
4	Boot Configurations	12
4.1	Chip Boot Mode Control	13
4.2	ROM Messages Printing Control	13
5	Peripherals	15
5.1	Peripheral Overview	15
5.2	Peripheral Description	15
5.2.1	Connectivity Interface	15
5.2.1.1	UART Controller	15
5.2.1.2	SPI Controller	16
5.2.1.3	I2C Controller	17
5.2.1.4	LED PWM Controller	17
5.2.2	Analog Signal Processing	17
5.2.2.1	SAR ADC	18
5.2.2.2	Temperature Sensor	18
6	Electrical Characteristics	19
6.1	Absolute Maximum Ratings	19
6.2	Recommended Operating Conditions	19
6.3	DC Characteristics (3.3 V, 25 °C)	19
6.4	Current Consumption Characteristics	20
6.4.1	Current Consumption in Active Mode	20
6.4.2	Current Consumption in Other Modes	20
7	RF Characteristics	22
7.1	Wi-Fi Radio	22
7.1.1	Wi-Fi RF Transmitter (TX) Characteristics	22
7.1.2	Wi-Fi RF Receiver (RX) Characteristics	23
7.2	Bluetooth 5 (LE) Radio	24
7.2.1	Bluetooth LE RF Transmitter (TX) Specifications	24
7.2.2	Bluetooth LE RF Receiver (RX) Specifications	26

8	Module Schematics	28
9	Peripheral Schematics	30
10	Physical Dimensions	31
10.1	Module Dimensions	31
10.2	Dimensions of External Antenna Connector	32
11	PCB Layout Recommendations	33
11.1	PCB Land Pattern	33
11.2	Module Placement for PCB Design	34
12	Product Handling	35
12.1	Storage Conditions	35
12.2	Electrostatic Discharge (ESD)	35
12.3	Reflow Profile	35
12.4	Ultrasonic Vibration	36
	Related Documentation and Resources	37
	Revision History	38

List of Tables

1	ESP8684-MINI-1 (ANT) Series Comparison ¹	3
2	ESP8684-MINI-1U (CONN) Series Comparison	3
3	Pin Definitions	11
4	Default Configuration of Strapping Pins	12
5	Description of Timing Parameters for the Strapping Pins	12
6	Chip Boot Mode Control	13
7	UART0 ROM Message Printing Control	14
8	Absolute Maximum Ratings	19
9	Recommended Operating Conditions	19
10	DC Characteristics (3.3 V, 25 °C)	19
11	Current Consumption Depending on RF Modes	20
12	Current Consumption in Low-Power Modes	20
13	Current Consumption in Modem-sleep Mode	20
14	Wi-Fi RF Characteristics	22
15	TX Power with Spectral Mask and EVM Meeting 802.11 Standards	22
16	TX EVM Test ¹	22
17	RX Sensitivity	23
18	Maximum RX Level	23
19	RX Adjacent Channel Rejection	24
20	Transmitter General Specifications	24
21	Bluetooth LE - Transmitter Characteristics - 1 Mbps	24
22	Bluetooth LE - Transmitter Characteristics - 2 Mbps	25
23	Bluetooth LE - Transmitter Characteristics - 125 kbps	25
24	Bluetooth LE - Transmitter Characteristics - 500 kbps	25
25	Bluetooth LE - Receiver Characteristics - 1 Mbps	26
26	Bluetooth LE - Receiver Characteristics - 2 Mbps	26
27	Bluetooth LE - Receiver Characteristics - 125 kbps	27
28	Bluetooth LE - Receiver Characteristics - 500 kbps	27

List of Figures

1	ESP8684-MINI-1 Block Diagram	9
2	ESP8684-MINI-1U Block Diagram	9
3	ESP8684-MINI-1 Pin Layout (Top View)	10
4	Visualization of Timing Parameters for the Strapping Pins	13
5	ESP8684-MINI-1 Schematics	28
6	ESP8684-MINI-1U Schematics	29
7	Peripheral Schematics	30
8	ESP8684-MINI-1 Dimensions	31
9	ESP8684-MINI-1U Dimensions	31
10	Dimensions of External Antenna Connector	32
11	ESP8684-MINI-1 Recommended PCB Land Pattern	33
12	ESP8684-MINI-1U Recommended PCB Land Pattern	34
13	Reflow Profile	35

2 Block Diagram

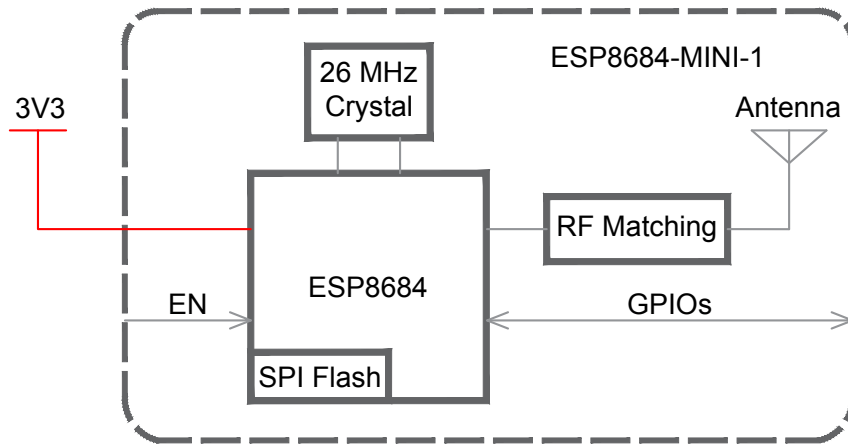


Figure 1: ESP8684-MINI-1 Block Diagram

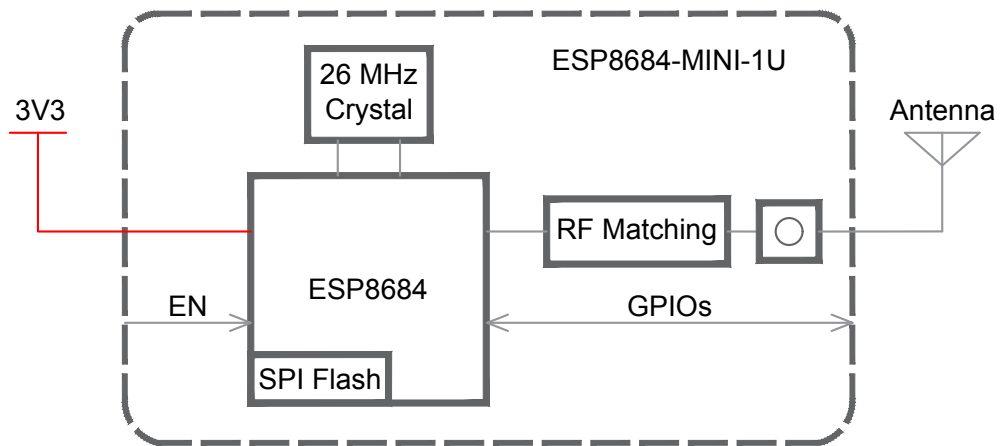


Figure 2: ESP8684-MINI-1U Block Diagram

3 Pin Definitions

3.1 Pin Layout

The pin diagram below shows the approximate location of pins on the module. For the actual diagram drawn to scale, please refer to Figure 10 *Physical Dimensions*.

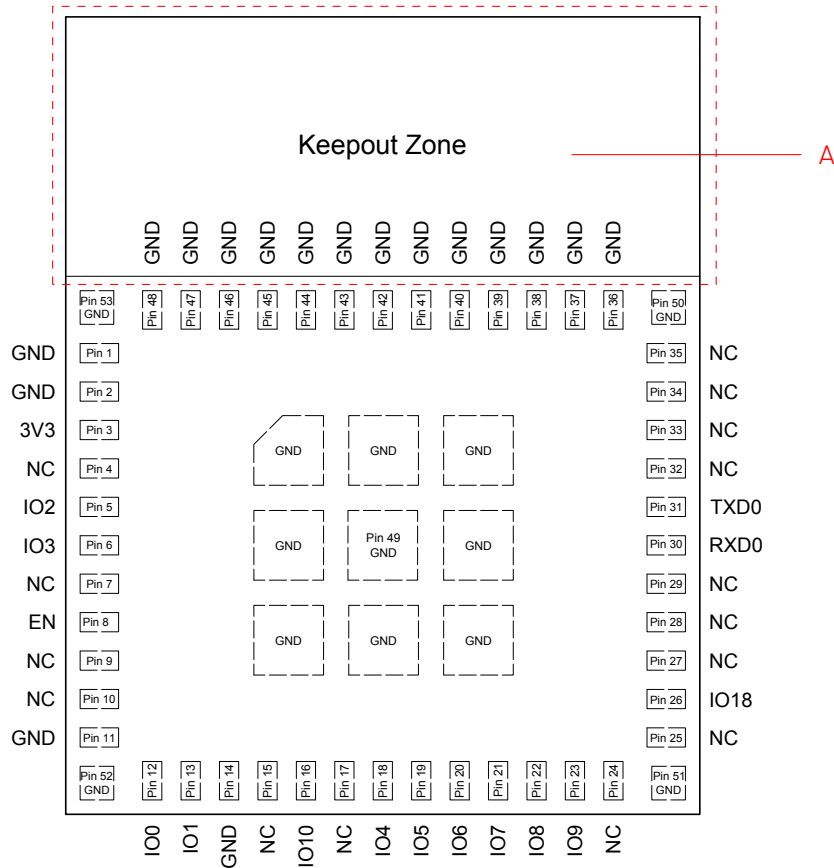


Figure 3: ESP8684-MINI-1 Pin Layout (Top View)

Note A:

The zone marked with dotted lines is the antenna keepout zone. The pin layout of ESP8684-MINI-1U is the same as that of ESP8684-MINI-1, except that ESP8684-MINI-1U has no keepout zone.

To learn more about the keepout zone for module's antenna on the base board, please refer to [ESP8684 Hardware Design Guidelines](#) > Section *Positioning a Module on a Base Board*.

3.2 Pin Description

The module has 53 pins. See pin definitions in Table 3 *Pin Description*.

For peripheral pin configurations, please refer to 5.2 *Peripheral Description*.

Table 3: Pin Definitions

Name	No.	Type ¹	Function
GND	1, 2, 11, 14, 36-53	P	Ground
3V3	3	P	Power supply
NC	4, 7, 9, 10, 15, 17, 24, 25, 27, 28, 29, 32-35	—	Not connected
IO2	5	I/O/T	GPIO2, ADC1_CH2, FSPIQ
IO3	6	I/O/T	GPIO3, ADC1_CH3
EN	8	I	High: on, enables the chip. Low: off, the chip powers off. Note: Do not leave the EN pin floating.
IO0	12	I/O/T	GPIO0, ADC1_CH0
IO1	13	I/O/T	GPIO1, ADC1_CH1
IO10	16	I/O/T	GPIO10, FSPICSO
IO4	18	I/O/T	GPIO4, ADC1_CH4, FSPIHD, MTMS
IO5	19	I/O/T	GPIO5, FSPIWP, MTDI
IO6	20	I/O/T	GPIO6, FSPICLK, MTCK
IO7	21	I/O/T	GPIO7, FSPID, MTDO
IO8	22	I/O/T	GPIO8
IO9	23	I/O/T	GPIO9
IO18	26	I/O/T	GPIO18
RXD0	30	I/O/T	GPIO19, UORXD
TXD0	31	I/O/T	GPIO20, UOTXD

¹ P: power supply; I: input; O: output; T: high impedance.

Note:

IO0, IO1, IO3, IO5/MTDI pins have low-level glitches during chip power up. See details in section General Purpose Input / Output Interface (GPIO) of [ESP8684 Series Datasheet](#).

4 Boot Configurations

Note:

The content below is excerpted from [ESP8684 Series Datasheet](#) > Section *Boot Configurations*. For the strapping pin mapping between the chip and modules, please refer to Chapter [8 Module Schematics](#).

The module allows for configuring the following boot parameters through strapping pins and eFuse parameters at power-up or a hardware reset, without microcontroller interaction.

- **Chip boot mode**
 - Strapping pin: GPIO8 and GPIO9
- **ROM message printing**
 - Strapping pin: GPIO8
 - eFuse parameter: EFUSE_UART_PRINT_CONTROL

The default values of all the above eFuse parameters are 0, which means that they are not burnt. Given that eFuse is one-time programmable, once programmed to 1, it can never be reverted to 0. For how to program eFuse parameters, please refer to [ESP8684 Technical Reference Manual](#) > Chapter *eFuse Controller*.

The default values of the strapping pins, namely the logic levels, are determined by pins' internal weak pull-up/pull-down resistors at reset if the pins are not connected to any circuit, or connected to an external high-impedance circuit.

Table 4: Default Configuration of Strapping Pins

Strapping Pin	Default Configuration	Bit Value
GPIO8	N/A	-
GPIO9	Internal weak pull-up	1

To change the bit values, the strapping pins should be connected to external pull-down/pull-up resistances. If the ESP8684 is used as a device by a host MCU, the strapping pin voltage levels can also be controlled by the host MCU.

All strapping pins have latches. At system reset, the latches sample the bit values of their respective strapping pins and store them until the chip is powered down or shut down. The states of latches cannot be changed in any other way. It makes the strapping pin values available during the entire chip operation, and the pins are freed up to be used as regular IO pins after reset.

The timing of signals connected to the strapping pins should adhere to the *setup time* and *hold time* specifications in Table 5 and Figure 4.

Table 5: Description of Timing Parameters for the Strapping Pins

Parameter	Description	Min (ms)
t_0	Setup time before CHIP_EN goes from low to high	0
t_1	Hold time after CHIP_EN goes high	3

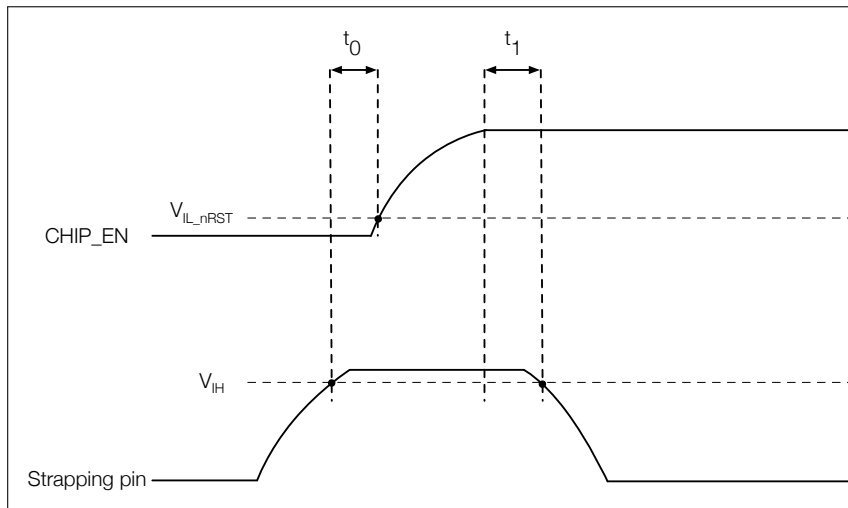


Figure 4: Visualization of Timing Parameters for the Strapping Pins

4.1 Chip Boot Mode Control

GPIO8 and GPIO9 control the boot mode after the reset is released. See Table 6 *Chip Boot Mode Control*.

Table 6: Chip Boot Mode Control

Boot Mode	GPIO9	GPIO8
SPI boot mode	1	x^2
Joint download boot mode ³	0	1

¹ **Bold** marks the default value and configuration.

² Values that have no effect on the result and can therefore be ignored.

³ Joint Download Boot mode supports UART Download Boot. In addition to SPI Boot and Joint Download Boot modes, ESP8684 also supports SPI Download Boot mode. For details, please see [ESP8684 Technical Reference Manual](#) >

Chapter *Chip Boot Control*.

4.2 ROM Messages Printing Control

EFUSE_UART_PRINT_CONTROL and GPIO8 control ROM messages printing to **UART0** as shown in Table 7 *UART0 ROM Message Printing Control*.

Table 7: UART0 ROM Message Printing Control

UART0 ROM Code Printing	eFuse ¹	GPIO8
Enabled	0	Ignored
	1	0
	2	1
Disabled	1	1
	2	0
	3	Ignored

¹ EFUSE_UART_PRINT_CONTROL

5 Peripherals

5.1 Peripheral Overview

ESP8684 integrates a rich set of peripherals including GPIO, SPI, UART, I2C, LED PWM controller, general DMA controller, SAR ADC, temperature sensor, general-purpose timers, system timers, and watchdog timers.

To learn more about on-chip components, please refer to [ESP8684 Series Datasheet](#) > Section *Functional Description*.

Note:

The content below is sourced from [ESP8684 Series Datasheet](#) > Section *Peripherals*. Some information may not be applicable to ESP8684-MINI-1 and ESP8684-MINI-1U, as not all the IO signals are exposed on the module.

To learn more about peripheral signals, please refer to [ESP8684 Technical Reference Manual](#) > Section *Peripheral Signal List*.

5.2 Peripheral Description

This section describes the chip's peripheral capabilities, covering connectivity interfaces and on-chip sensors that extend its functionality.

5.2.1 Connectivity Interface

This subsection describes the connectivity interfaces on the chip that enable communication and interaction with external devices and networks.

5.2.1.1 UART Controller

The UART Controller in the ESP8684 chip facilitates the transmission and reception of asynchronous serial data between the chip and external UART devices. It supports two UART interfaces.

Feature List

- Full-duplex asynchronous communication
- Configurable baud rate, up to 2.5 Mbaud
- Automatic baud rate detection of input signals
- Data frame format:
 - a START bit
 - data bits, ranging from 5 ~ 8
 - a parity bit
 - stop bits, whose length can be 1, 1.5, or 2 bits
- Special character AT_CMD detection
- Supported protocols: RS485, IrDA

- UART as wake-up source
- Software and hardware flow control
- Three clock sources that can be divided:
 - 40 MHz PLL_F40M_CLK
 - internal fast RC oscillator RC_FAST_CLK
 - external crystal clock XTAL_CLK
- 512 x 8-bit RAM shared by TX FIFOs and RX FIFOs of the two UART controllers

Pin Assignment

For UART, the pins used can be chosen from any GPIOs via the GPIO Matrix.

For more information about the pin assignment, see [ESP8684 Series Datasheet](#) > Section *IO Pins* and [ESP8684 Technical Reference Manual](#) > Chapter *IO MUX and GPIO Matrix*.

5.2.1.2 SPI Controller

ESP8684 series features three SPI interfaces (SPI0, SPI1, and SPI2). SPI0 and SPI1 can be configured to operate in SPI memory mode and SPI2 can be configured to operate in general-purpose SPI mode.

SPI0 and SPI1 are reserved for system use, and only SPI2 is available for users.

Features of SPI0 and SPI1

- Data is transferred in bytes
- Up to four-line STR reads and writes are supported
- The clock frequency is configurable to a maximum of 60 MHz in STR mode

Features of SPI2 General-purpose SPI (GP-SPI)

- It can operate in master and slave modes
- It supports two-line full-duplex communication and single-/two-/four-line half-duplex communication in both master and slave modes
- The host's clock frequency of SPI2 is configurable. The clock frequency is 40 MHz at most
- Data is transferred in bytes
- The clock polarity (CPOL) and phase (CPHA) are also configurable
- The SPI2 interface can connect to GDMA

Pin Assignment

For SPI2, the pins used can be chosen from any GPIOs via the GPIO Matrix.

For more information about the pin assignment, see [ESP8684 Series Datasheet](#) > Section *IO Pins* and [ESP8684 Technical Reference Manual](#) > Chapter *IO MUX and GPIO Matrix*.

5.2.1.3 I2C Controller

The I2C Controller supports communication between the master and slave devices using the I2C bus.

Feature List

- one I2C controller operating in master mode
- Standard mode (100 Kbit/s) and fast mode (400 Kbit/s)
- Up to 800 Kbit/s (constrained by SCL and SDA pull-up strength)
- Support for 7-bit and 10-bit addressing, as well as dual address mode
- 7-bit broadcast address

Pin Assignment

For I2C, the pins used can be chosen from any GPIOs via the GPIO Matrix.

For more information about the pin assignment, see [ESP8684 Series Datasheet](#) > Section *IO Pins* and [ESP8684 Technical Reference Manual](#) > Chapter *IO MUX and GPIO Matrix*.

5.2.1.4 LED PWM Controller

The LED PWM Controller (LEDC) is designed to generate PWM signals for LED control.

Feature List

- Six independent PWM generators
- Maximum PWM duty cycle resolution of 14 bits
- Four independent timers with 14-bit counters, configurable fractional clock dividers and counter overflow values
- Adjustable phase of PWM signal output
- PWM duty cycle dithering
- Automatic duty cycle fading
- PWM signal output in low-power mode (Light-sleep mode)

Pin Assignment

The pins for the LED PWM Controller can be chosen from any GPIOs via the GPIO Matrix.

For more information about the pin assignment, see [ESP8684 Series Datasheet](#) > Section *IO Pins* and [ESP8684 Technical Reference Manual](#) > Chapter *IO MUX and GPIO Matrix*.

5.2.2 Analog Signal Processing

This subsection describes components on the chip that sense and process real-world data.

5.2.2.1 SAR ADC

ESP8684 integrates a Successive Approximation Analog-to-Digital Converter (SAR ADC) to convert analog signals into digital representations.

Feature List

- 12-bit sampling resolution
- Analog voltage sampling from up to five pins
- One DIG ADC controller
 - Provides separate control modules for one-time sampling and multi-channel scanning
 - Supports one-time sampling and multi-channel scanning working simultaneously
 - User-defined scanning sequence in multi-channel scanning mode
 - Provides two filters with configurable filter coefficient
 - Supports threshold monitoring

Pin Assignment

The pins for the SAR ADC are multiplexed with GPIO0 ~ GPIO4, JTAG.

For more information about the pin assignment, see [ESP8684 Series Datasheet](#) > Section *IO Pins* and [ESP8684 Technical Reference Manual](#) > Chapter *IO MUX and GPIO Matrix*.

5.2.2.2 Temperature Sensor

The Temperature Sensor in the ESP8684 chip allows for real-time monitoring of temperature changes inside the chip.

Feature List

- Measurement range: $-40\text{ }^{\circ}\text{C} \sim 125\text{ }^{\circ}\text{C}$
- Software triggering, wherein the data can be read continuously once triggered
- Configurable temperature offset based on the environment to improve the accuracy
- Adjustable measurement range

6 Electrical Characteristics

The values presented in this section are preliminary and may change with the final release of this datasheet.

6.1 Absolute Maximum Ratings

Stresses above those listed in Table 8 *Absolute Maximum Ratings* may cause permanent damage to the device. These are stress ratings only and functional operation of the device at these or any other conditions beyond those indicated under Table 9 *Recommended Operating Conditions* is not implied. Exposure to absolute-maximum-rated conditions for extended periods may affect device reliability.

Table 8: Absolute Maximum Ratings

Symbol	Parameter	Min	Max	Unit
VDD33	Power supply voltage	-0.3	3.6	V
T _{STORE}	Storage temperature	-40	105	°C

6.2 Recommended Operating Conditions

Table 9: Recommended Operating Conditions

Symbol	Parameter	Min	Typ	Max	Unit
VDD33	Voltage applied to power supply pin	3.0	3.3	3.6	V
I _{VDD}	Current delivered by external power supply	0.5	—	—	A
T _A	Operating ambient temperature	-40	—	105	°C

6.3 DC Characteristics (3.3 V, 25 °C)

Table 10: DC Characteristics (3.3 V, 25 °C)

Symbol	Parameter	Min	Typ	Max	Unit
C _{IN}	Pin capacitance	—	2	—	pF
V _{IH}	High-level input voltage	0.75 × VDD ¹	—	VDD ¹ + 0.3	V
V _{IL}	Low-level input voltage	-0.3	—	0.25 × VDD ¹	V
I _{IH}	High-level input current	—	—	50	nA
I _{IL}	Low-level input current	—	—	50	nA
V _{OH} ²	High-level output voltage	0.8 × VDD ¹	—	—	V
V _{OL} ²	Low-level output voltage	—	—	0.1 × VDD ¹	V
I _{OH}	High-level source current (VDD ¹ = 3.3 V, V _{OH} ≥ 2.64 V, PAD_DRIVER = 3)	—	40	—	mA
I _{OL}	Low-level sink current (VDD ¹ = 3.3 V, V _{OL} = 0.495 V, PAD_DRIVER = 3)	—	28	—	mA
R _{PU}	Pull-up resistor	—	45	—	kΩ
R _{PD}	Pull-down resistor	—	45	—	kΩ

V_{IH_nRST}	Chip reset release voltage	$0.75 \times VDD^1$	—	$VDD^1 + 0.3$	V
V_{IL_nRST}	Chip reset voltage	-0.3	—	$0.25 \times VDD^1$	V

¹ VDD is the I/O voltage for a particular power domain of pins.

² V_{OH} and V_{OL} are measured using high-impedance load.

6.4 Current Consumption Characteristics

With the use of advanced power-management technologies, the module can switch between different power modes. For details on different power modes, please refer to Section *Low Power Management* in [ESP8684 Series Datasheet](#).

6.4.1 Current Consumption in Active Mode

The current consumption measurements are taken with a 3.3 V supply at 25 °C ambient temperature.

TX current consumption is rated at a 100% duty cycle.

RX current consumption is rated when the peripherals are disabled and the CPU idle.

Table 11: Current Consumption Depending on RF Modes

Work mode	Description		Peak (mA)
Active (RF working)	TX	802.11b, 1 Mbps, @21 dBm	370
		802.11g, 54 Mbps, @19 dBm	320
		802.11n, HT20, MCS7, @18 dBm	300
	RX	802.11b/g/n, HT20	65

Note:

The content below is excerpted from *Section Power Consumption in Other Modes* in [ESP8684 Series Datasheet](#).

6.4.2 Current Consumption in Other Modes

Table 12: Current Consumption in Low-Power Modes

Work mode	Description	Typ	Unit
Light-sleep	—	140	μA
Deep-sleep	Only RTC timer is powered on	5	μA
Power off	CHIP_EN is set to low level, and the chip is powered off	1	μA

Table 13: Current Consumption in Modem-sleep Mode

Work mode	Frequency (MHz)	Description	Typ ¹ (mA)	Typ ² (mA)
Modem-sleep ³	80	WFI (Wait-for-Interrupt)	9.4	10.3
		CPU run at full speed	12.1	13.0

Cont'd on next page

Table 13 – cont'd from previous page

Work mode	Frequency (MHz)	Description	Typ ¹ (mA)	Typ ² (mA)
	120	WFI (Wait-for-Interrupt)	10.7	11.5
		CPU run at full speed	14.7	15.6

¹ Current consumption when all peripheral clocks are **disabled**.

² Current consumption when all peripheral clocks are **enabled**. In practice, the current consumption might be different depending on which peripherals are enabled.

³ In Modem-sleep mode, Wi-Fi is clock gated, and the current consumption might be higher when accessing flash. For a flash rated at 80 Mbit/s, in SPI 2-line mode the consumption is 10 mA.

7 RF Characteristics

This section contains tables with RF characteristics of the Espressif product.

The RF data is measured at the antenna port, where RF cable is connected, including the front-end loss. The external antennas used for the tests on the modules with external antenna connectors have an impedance of 50 Ω . Devices should operate in the center frequency range allocated by regional regulatory authorities. The target center frequency range and the target transmit power are configurable by software. See [ESP RF Test Tool and Test Guide](#) for instructions.

Unless otherwise stated, the RF tests are conducted with a 3.3 V ($\pm 5\%$) supply at 25 °C ambient temperature.

7.1 Wi-Fi Radio

Table 14: Wi-Fi RF Characteristics

Name	Description
Center frequency range of operating channel	2412 ~ 2484 MHz
Wi-Fi wireless standard	IEEE 802.11b/g/n
Data rate (20 MHz)	11b: 1, 2, 5.5 and 11 Mbps 11g: 6, 9, 12, 18, 24, 36, 48, 54 Mbps 11n: MCS0-7, 72.2 Mbps (Max)
Antenna type	PCB antenna and external antenna connector

7.1.1 Wi-Fi RF Transmitter (TX) Characteristics

Table 15: TX Power with Spectral Mask and EVM Meeting 802.11 Standards

Rate	Min (dBm)	Typ (dBm)	Max (dBm)
802.11b, 1 Mbps	—	21	—
802.11b, 11 Mbps	—	21	—
802.11g, 6 Mbps	—	21	—
802.11g, 54 Mbps	—	19	—
802.11n, HT20, MCS0	—	19	—
802.11n, HT20, MCS7	—	18	—

Table 16: TX EVM Test¹

Rate	Min (dB)	Typ (dB)	SL ¹ (dB)
802.11b, 1 Mbps, @21 dBm	—	-24	-10
802.11b, 11 Mbps, @21 dBm	—	-24	-10
802.11g, 6 Mbps, @21 dBm	—	-23	-5

Cont'd on next page

Table 16 – cont'd from previous page

Rate	Min (dB)	Typ (dB)	SL ² (dB)
802.11g, 54 Mbps, @19 dBm	—	-30	-25
802.11n, HT20, MCS0, @20 dBm	—	-27	-5
802.11n, HT20, MCS7, @18 dBm	—	-31	-27

¹ EVM is measured at the corresponding typical TX power provided in Table 15 *Wi-Fi RF Transmitter (TX) Characteristics* above.

² SL stands for standard limit value.

7.1.2 Wi-Fi RF Receiver (RX) Characteristics

Table 17: RX Sensitivity

Rate	Min (dBm)	Typ (dBm)	Max (dBm)
802.11b, 1 Mbps	—	-98.0	—
802.11b, 2 Mbps	—	-96.5	—
802.11b, 5.5 Mbps	—	-94.0	—
802.11b, 11 Mbps	—	-90.0	—
802.11g, 6 Mbps	—	-94.0	—
802.11g, 9 Mbps	—	-92.0	—
802.11g, 12 Mbps	—	-91.0	—
802.11g, 18 Mbps	—	-89.0	—
802.11g, 24 Mbps	—	-86.0	—
802.11g, 36 Mbps	—	-83.0	—
802.11g, 48 Mbps	—	-78.5	—
802.11g, 54 Mbps	—	-77.0	—
802.11n, HT20, MCS0	—	-92.5	—
802.11n, HT20, MCS1	—	-90.5	—
802.11n, HT20, MCS2	—	-87.5	—
802.11n, HT20, MCS3	—	-84.5	—
802.11n, HT20, MCS4	—	-81.5	—
802.11n, HT20, MCS5	—	-77.5	—
802.11n, HT20, MCS6	—	-75.5	—
802.11n, HT20, MCS7	—	-74.0	—

Table 18: Maximum RX Level

Rate	Min (dBm)	Typ (dBm)	Max (dBm)
802.11b, 1 Mbps	—	5	—
802.11b, 11 Mbps	—	5	—
802.11g, 6 Mbps	—	5	—

Cont'd on next page

Table 18 – cont'd from previous page

Rate	Min (dBm)	Typ (dBm)	Max (dBm)
802.11g, 54 Mbps	—	0	—
802.11n, HT20, MCS0	—	5	—
802.11n, HT20, MCS7	—	0	—

Table 19: RX Adjacent Channel Rejection

Rate	Min (dB)	Typ (dB)	Max (dB)
802.11b, 1 Mbps	—	35	—
802.11b, 11 Mbps	—	35	—
802.11g, 6 Mbps	—	31	—
802.11g, 54 Mbps	—	20	—
802.11n, HT20, MCS0	—	16	—
802.11n, HT20, MCS7	—	25	—

7.2 Bluetooth 5 (LE) Radio

Table 20: Transmitter General Specifications

Parameter	Min	Typ	Max	Unit
RF transmit power	—	3	—	dBm
Gain control step	—	3	—	dB
RF power control range	-24	—	20	dBm

7.2.1 Bluetooth LE RF Transmitter (TX) Specifications

Table 21: Bluetooth LE - Transmitter Characteristics - 1 Mbps

Parameter	Description	Min	Typ	Max	Unit
In-band emissions	$F = F_0 \pm 2 \text{ MHz}$	—	-32.0	—	dBm
	$F = F_0 \pm 3 \text{ MHz}$	—	-38.0	—	dBm
	$F = F_0 \pm > 3 \text{ MHz}$	—	-41.0	—	dBm
Modulation characteristics	$\Delta f_{1\text{avg}}$	—	249.0	—	kHz
	$\Delta f_{2\text{max}}$	—	246.0	—	kHz
	$\Delta f_{2\text{avg}} / \Delta f_{1\text{avg}}$	—	1.1	—	—
Carrier frequency offset	$\text{Max } f_n _{n=0, 1, 2, \dots, k}$	—	2.0	—	kHz
Carrier frequency drift	$\text{Max } f_0 - f_n _{n=2, 3, 4, \dots, k}$	—	1.0	—	kHz
	$\text{Max } f_0 - f_1 $	—	0.5	—	kHz
	$\text{Max } f_n - f_{n-5} _{n=6, 7, 8, \dots, k}$	—	1.0	—	kHz

Table 22: Bluetooth LE - Transmitter Characteristics - 2 Mbps

Parameter	Description	Min	Typ	Max	Unit
In-band emissions	$F = FO \pm 4 \text{ MHz}$	—	-40.0	—	dBm
	$F = FO \pm 5 \text{ MHz}$	—	-43.0	—	dBm
	$F = FO \pm > 5 \text{ MHz}$	—	-44.0	—	dBm
Modulation characteristics	$\Delta f_{1\text{avg}}$	—	498.0	—	kHz
	$\Delta f_{2\text{max}}$	—	589.0	—	kHz
	$\Delta f_{2\text{avg}}/\Delta f_{1\text{avg}}$	—	1.2	—	—
Carrier frequency offset	$\text{Max } f_n _{n=0, 1, 2, \dots, k}$	—	1.0	—	kHz
Carrier frequency drift	$\text{Max } f_0 - f_n _{n=2, 3, 4, \dots, k}$	—	3.0	—	kHz
	$\text{Max } f_0 - f_1 $	—	2.4	—	kHz
	$\text{Max } f_n - f_{n-5} _{n=6, 7, 8, \dots, k}$	—	1.2	—	kHz

Table 23: Bluetooth LE - Transmitter Characteristics - 125 kbps

Parameter	Description	Min	Typ	Max	Unit
In-band emissions	$F = FO \pm 2 \text{ MHz}$	—	-32.0	—	dBm
	$F = FO \pm 3 \text{ MHz}$	—	-38.0	—	dBm
	$F = FO \pm > 3 \text{ MHz}$	—	-41.0	—	dBm
Modulation characteristics	$\Delta f_{1\text{avg}}$	—	248.0	—	kHz
	$\Delta f_{1\text{max}}$	—	224.0	—	kHz
Carrier frequency offset	$\text{Max } f_n _{n=0, 1, 2, \dots, k}$	—	0.5	—	kHz
Carrier frequency drift	$\text{Max } f_0 - f_n _{n=1, 2, 3, \dots, k}$	—	0.7	—	kHz
	$\text{Max } f_0 - f_3 $	—	0.2	—	kHz
	$\text{Max } f_n - f_{n-3} _{n=7, 8, 9, \dots, k}$	—	0.7	—	kHz

Table 24: Bluetooth LE - Transmitter Characteristics - 500 kbps

Parameter	Description	Min	Typ	Max	Unit
In-band emissions	$F = FO \pm 2 \text{ MHz}$	—	-32.0	—	dBm
	$F = FO \pm 3 \text{ MHz}$	—	-38.0	—	dBm
	$F = FO \pm > 3 \text{ MHz}$	—	-41.0	—	dBm
Modulation characteristics	$\Delta f_{2\text{avg}}$	—	273.0	—	kHz
	$\Delta f_{2\text{max}}$	—	243.0	—	kHz
Carrier frequency offset	$\text{Max } f_n _{n=0, 1, 2, \dots, k}$	—	0.5	—	kHz
Carrier frequency drift	$\text{Max } f_0 - f_n _{n=1, 2, 3, \dots, k}$	—	0.7	—	kHz
	$\text{Max } f_0 - f_3 $	—	0.7	—	kHz
	$\text{Max } f_n - f_{n-3} _{n=7, 8, 9, \dots, k}$	—	0.2	—	kHz

7.2.2 Bluetooth LE RF Receiver (RX) Specifications

Table 25: Bluetooth LE - Receiver Characteristics - 1 Mbps

Parameter	Description	Min	Typ	Max	Unit
Sensitivity @30.8% PER	—	—	-98	—	dBm
Maximum received signal @30.8% PER	—	—	8	—	dBm
Co-channel C/I	—	—	8	—	dB
Adjacent channel selectivity C/I	$F = F_0 + 1 \text{ MHz}$	—	-1	—	dB
	$F = F_0 - 1 \text{ MHz}$	—	-3	—	dB
	$F = F_0 + 2 \text{ MHz}$	—	-26	—	dB
	$F = F_0 - 2 \text{ MHz}$	—	-28	—	dB
	$F \geq F_0 + 3 \text{ MHz}^{(1)}$	—	—	—	dB
	$F \leq F_0 - 3 \text{ MHz}$	—	-31	—	dB
Image frequency	—	—	-33	—	dB
Adjacent channel to image frequency	$F = F_{image} + 1 \text{ MHz}$	—	-32	—	dB
	$F = F_{image} - 1 \text{ MHz}$	—	-34	—	dB
Out-of-band blocking performance	30 MHz ~ 2000 MHz	—	-23	—	dBm
	2003 MHz ~ 2399 MHz	—	-30	—	dBm
	2484 MHz ~ 2997 MHz	—	-10	—	dBm
	3000 MHz ~ 12.75 GHz	—	-17	—	dBm
Intermodulation	—	—	-31	—	dBm

¹ Refer to the value of adjacent channel to image frequency when $F = F_{image} - 1 \text{ MHz}$.

Table 26: Bluetooth LE - Receiver Characteristics - 2 Mbps

Parameter	Description	Min	Typ	Max	Unit
Sensitivity @30.8% PER	—	—	-95	—	dBm
Maximum received signal @30.8% PER	—	—	8	—	dBm
Co-channel C/I	$F = F_0 \text{ MHz}$	—	9	—	dB
Adjacent channel selectivity C/I	$F = F_0 + 2 \text{ MHz}$	—	-11	—	dB
	$F = F_0 - 2 \text{ MHz}$	—	-7	—	dB
	$F = F_0 + 4 \text{ MHz}^{(1)}$	—	—	—	dB
	$F = F_0 - 4 \text{ MHz}$	—	-30	—	dB
	$F \geq F_0 + 6 \text{ MHz}$	—	-35	—	dB
	$F \leq F_0 - 6 \text{ MHz}$	—	-29	—	dB
Image frequency	—	—	-35	—	dB
Adjacent channel to image frequency	$F = F_{image} + 2 \text{ MHz}$	—	-35	—	dB
	$F = F_{image} - 2 \text{ MHz}^{(2)}$	—	—	—	dB
Out-of-band blocking performance	30 MHz ~ 2000 MHz	—	-30	—	dBm
	2003 MHz ~ 2399 MHz	—	-34	—	dBm
	2484 MHz ~ 2997 MHz	—	-19	—	dBm
	3000 MHz ~ 12.75 GHz	—	-28	—	dBm
Intermodulation	—	—	-33	—	dBm

¹ Refer to the value of Image frequency.

² Refer to the value of Adjacent channel selectivity C/I when $F = F_0 + 2 \text{ MHz}$.

Table 27: Bluetooth LE - Receiver Characteristics - 125 kbps

Parameter	Description	Min	Typ	Max	Unit
Sensitivity @30.8% PER	—	—	-106	—	dBm
Maximum received signal @30.8% PER	—	—	8	—	dBm
Co-channel C/I	$F = F_0$ MHz	—	3	—	dB
Adjacent channel selectivity C/I	$F = F_0 + 1$ MHz	—	-7	—	dB
	$F = F_0 - 1$ MHz	—	-5	—	dB
	$F = F_0 + 2$ MHz	—	-35	—	dB
	$F = F_0 - 2$ MHz	—	-34	—	dB
	$F \geq F_0 + 3$ MHz ⁽¹⁾	—	—	—	dB
	$F \leq F_0 - 3$ MHz	—	-37	—	dB
Image frequency	—	—	-41	—	dB
Adjacent channel to image frequency	$F = F_{image} + 1$ MHz	—	-43	—	dB
	$F = F_{image} - 1$ MHz	—	-38	—	dB

¹ Refer to the value of Adjacent channel to image frequency when $F = F_{image} - 1$ MHz.

Table 28: Bluetooth LE - Receiver Characteristics - 500 kbps

Parameter	Description	Min	Typ	Max	Unit
Sensitivity @30.8% PER	—	—	-102	—	dBm
Maximum received signal @30.8% PER	—	—	8	—	dBm
Co-channel C/I	$F = F_0$ MHz	—	4	—	dB
Adjacent channel selectivity C/I	$F = F_0 + 1$ MHz	—	-6	—	dB
	$F = F_0 - 1$ MHz	—	-5	—	dB
	$F = F_0 + 2$ MHz	—	-29	—	dB
	$F = F_0 - 2$ MHz	—	-32	—	dB
	$F \geq F_0 + 3$ MHz ⁽¹⁾	—	—	—	dB
	$F \leq F_0 - 3$ MHz	—	-36	—	dB
Image frequency	—	—	-34	—	dB
Adjacent channel to image frequency	$F = F_{image} + 1$ MHz	—	-37	—	dB
	$F = F_{image} - 1$ MHz	—	-31	—	dB

¹ Refer to the value of Adjacent channel to image frequency when $F = F_{image} - 1$ MHz.

8 Module Schematics

This is the reference design of the module.

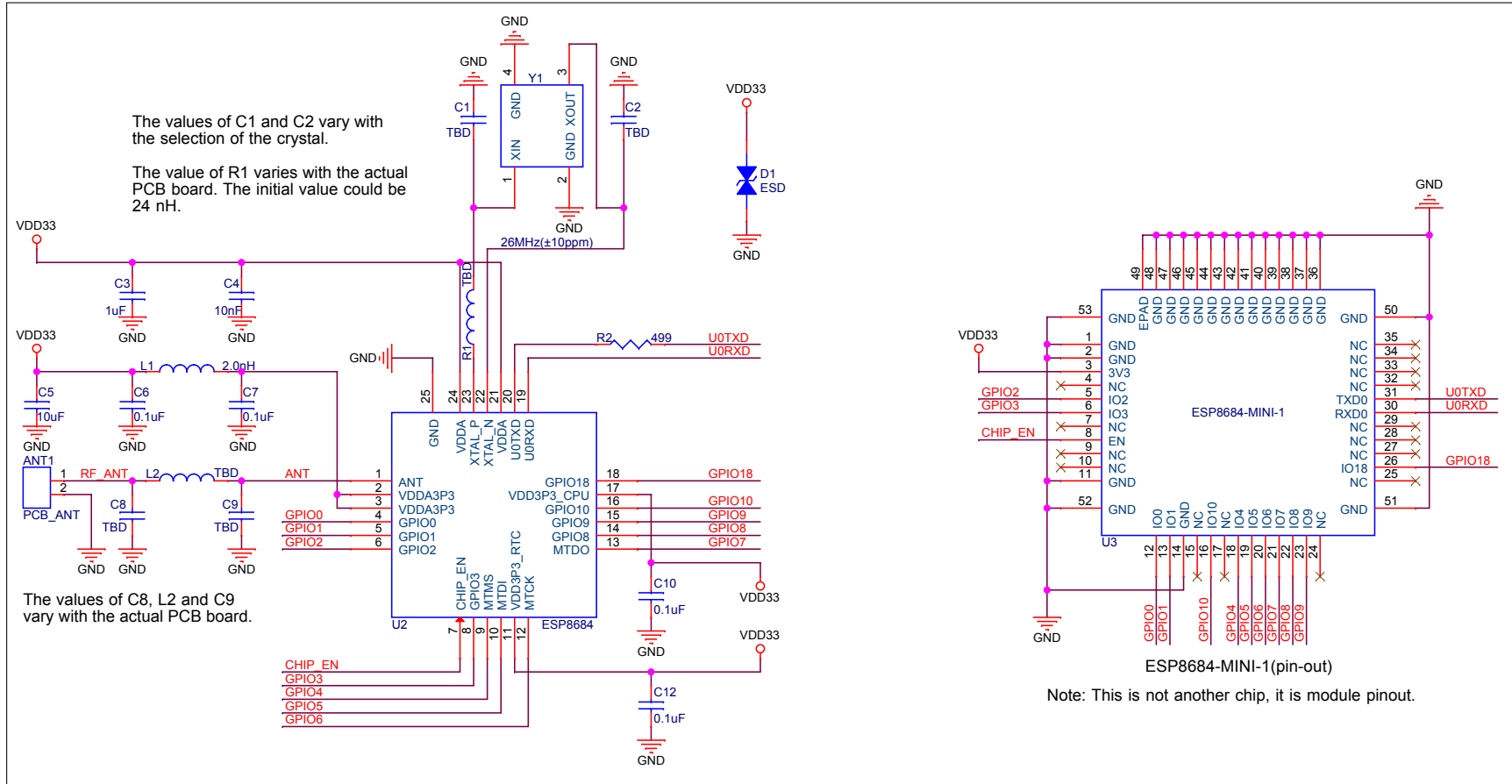


Figure 5: ESP8684-MINI-1 Schematics

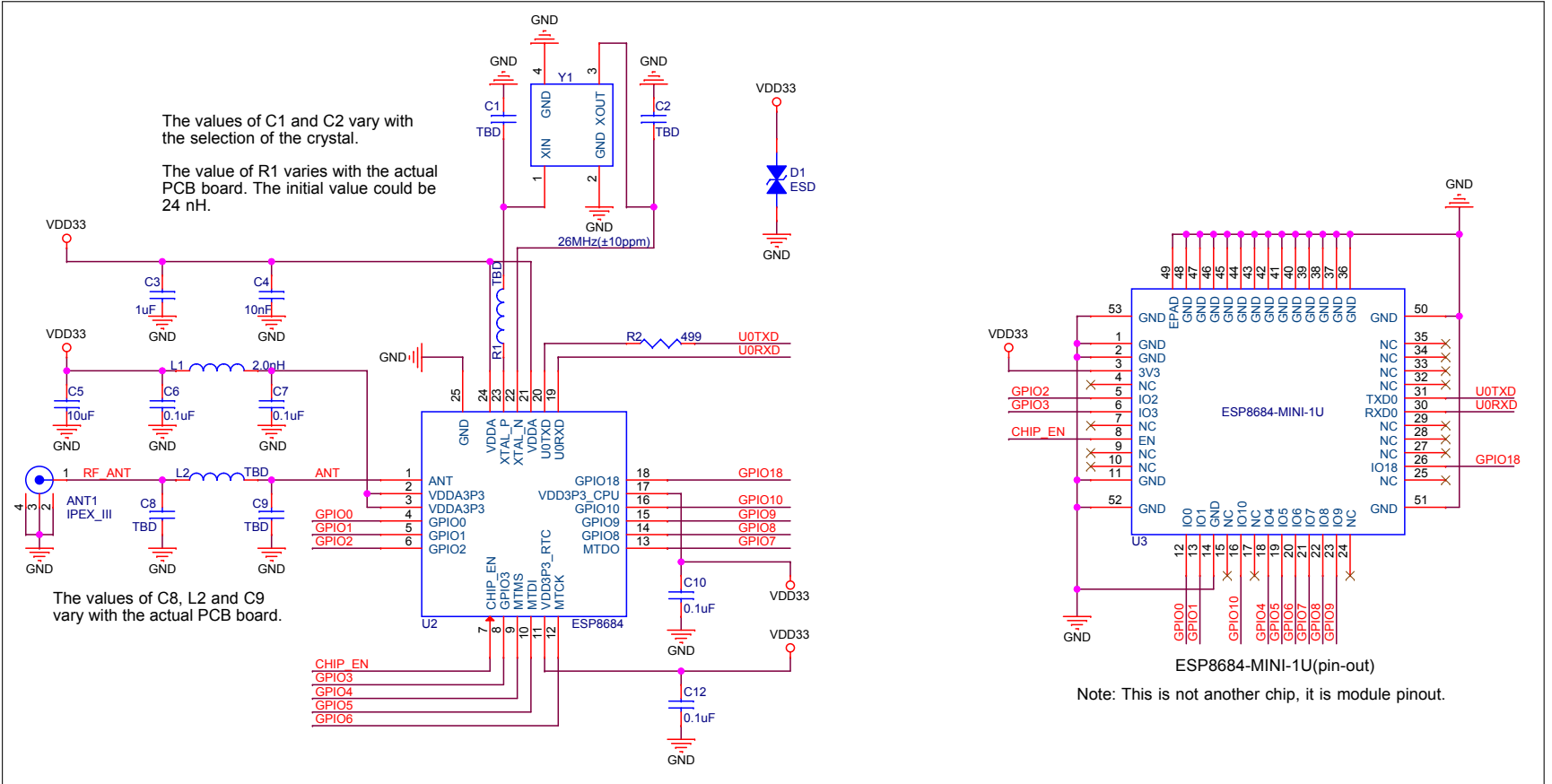


Figure 6: ESP8684-MINI-1U Schematics

9 Peripheral Schematics

This is the typical application circuit of the module connected with peripheral components (for example, power supply, antenna, reset button, JTAG interface, and UART interface).

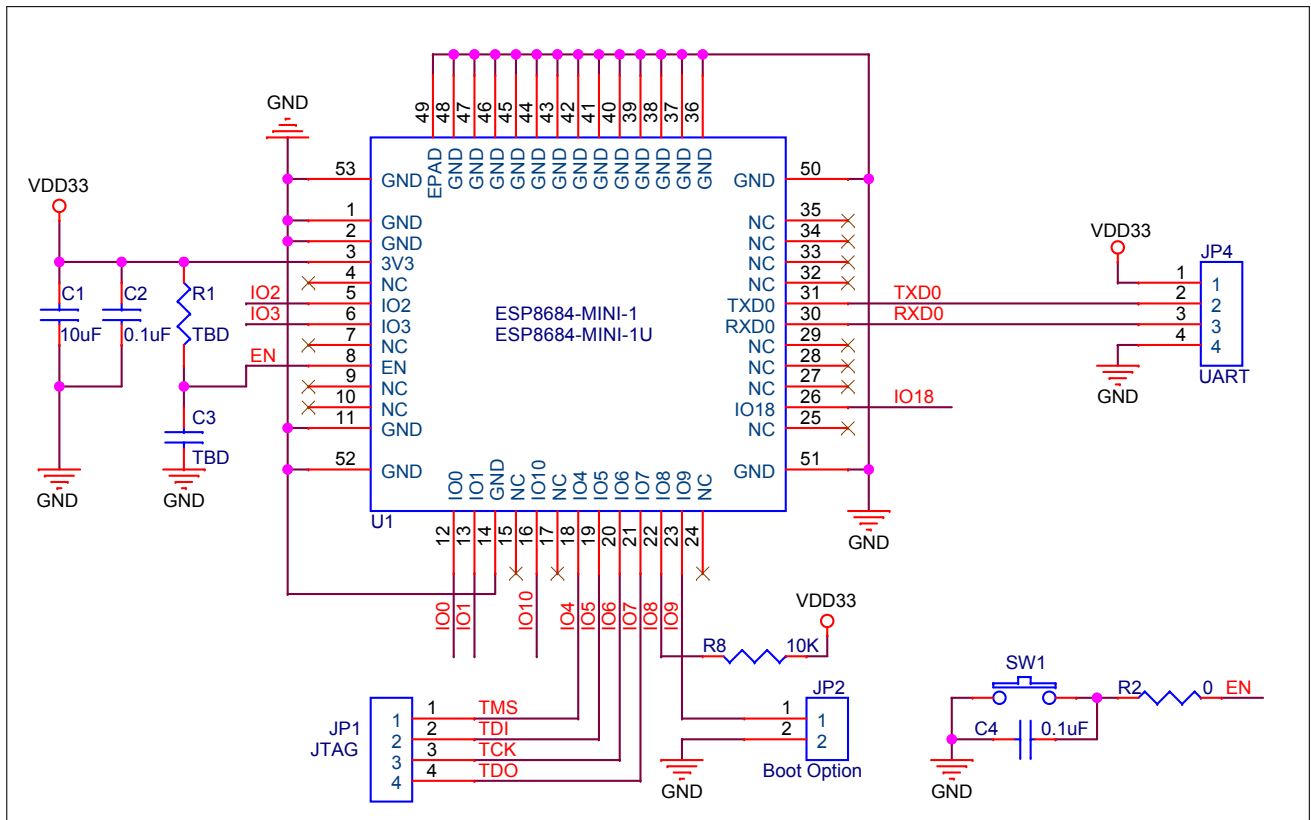


Figure 7: Peripheral Schematics

- Soldering the EPAD to the ground of the base board is not a must, however, it can optimize thermal performance. If you choose to solder it, please apply the correct amount of soldering paste. Too much soldering paste may increase the gap between the module and the baseboard. As a result, the adhesion between other pins and the baseboard may be poor.
- To ensure that the power supply to the ESP8684 chip is stable during power-up, it is advised to add an RC delay circuit at the EN pin. The recommended setting for the RC delay circuit is usually $R = 10\text{ k}\Omega$ and $C = 1\ \mu\text{F}$. However, specific parameters should be adjusted based on the power-up timing of the module and the power-up and reset sequence timing of the chip. For ESP8684's power-up and reset sequence timing diagram, please refer to Section *Power Scheme* in [ESP8684 Series Datasheet](#).
- JTAG interface is optional.
- Boot Option, TXD0 and RXD0 are used as firmware download and debug port.

10 Physical Dimensions

10.1 Module Dimensions

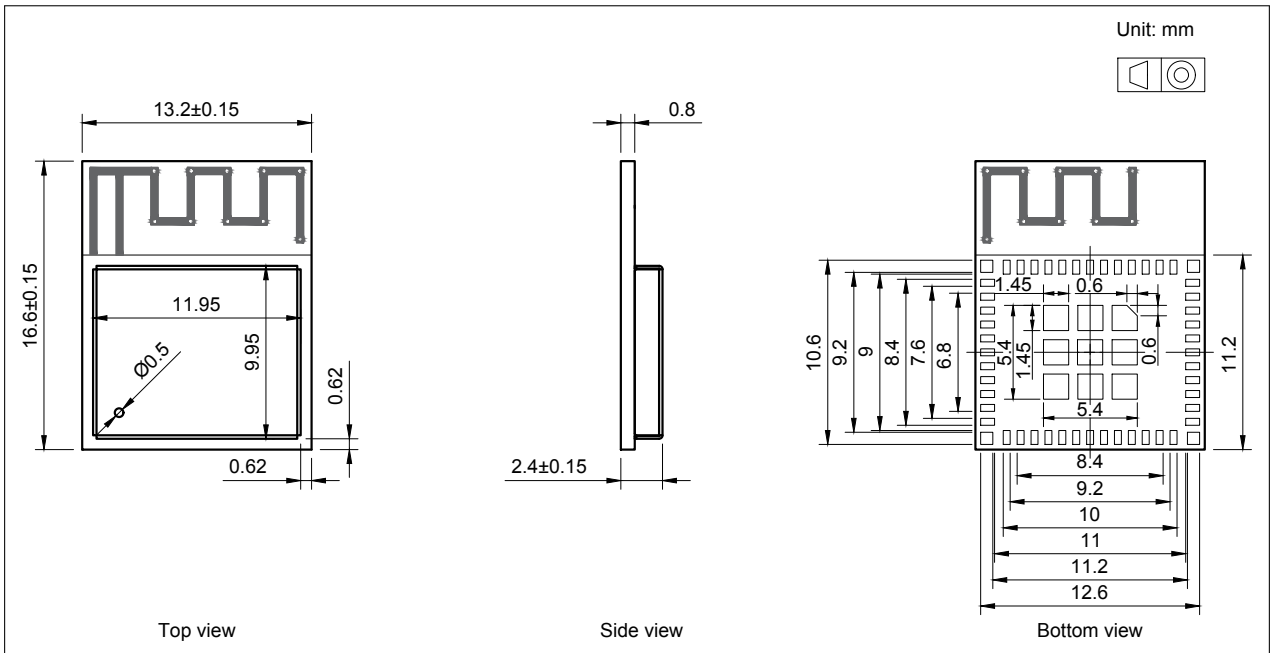


Figure 8: ESP8684-MINI-1 Dimensions

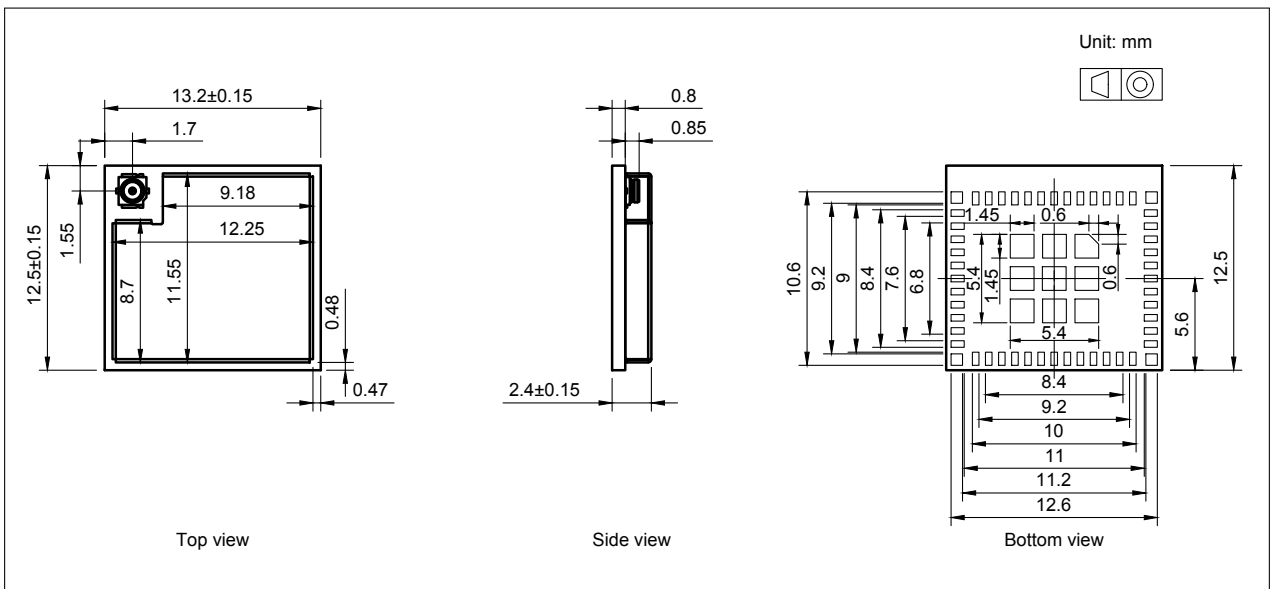


Figure 9: ESP8684-MINI-1U Dimensions

Note:

For information about tape, reel, and product marking, please refer to [Espressif Module Packaging Information](#).

10.2 Dimensions of External Antenna Connector

ESP8684-MINI-1U uses the third generation external antenna connector as shown in Figure 10 *Dimensions of External Antenna Connector*. This connector is compatible with the following connectors:

- W.FL Series connector from Hirose
- MHF III connector from I-PEX
- AMMC connector from Amphenol

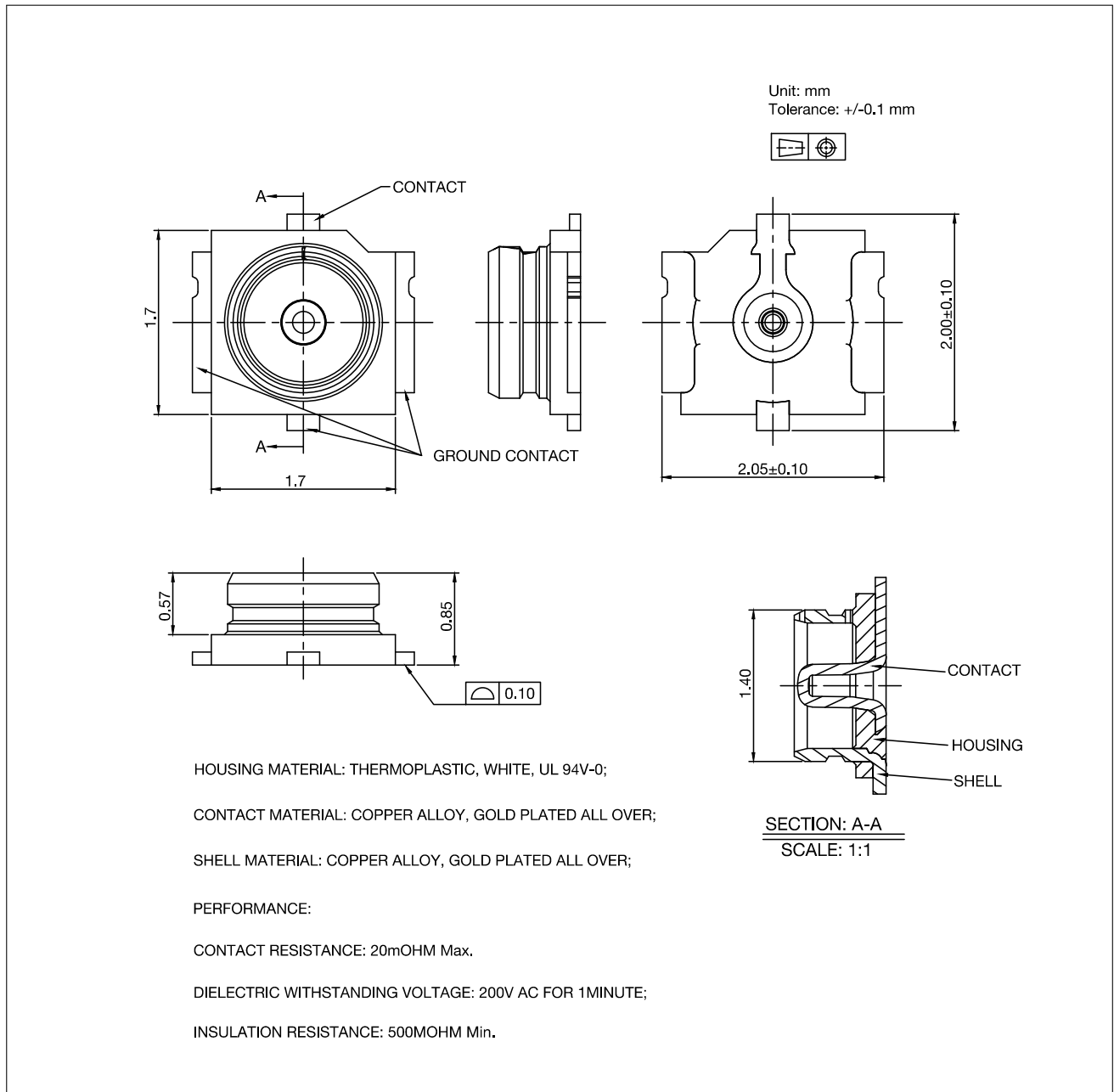


Figure 10: Dimensions of External Antenna Connector

11 PCB Layout Recommendations

11.1 PCB Land Pattern

This section provides the following resources for your reference:

- Figures for recommended PCB land patterns with all the dimensions needed for PCB design. See Figure 11 *ESP8684-MINI-1 Recommended PCB Land Pattern* and Figure 12 *ESP8684-MINI-1U Recommended PCB Land Pattern*.
- Source files of recommended PCB land patterns to measure dimensions not covered in Figure 11 and Figure 12 . You can view the source files for [ESP8684-MINI-1](#) and [ESP8684-MINI-1U](#) with [Autodesk Viewer](#).
- 3D models of [ESP8684-MINI-1](#) and [ESP8684-MINI-1U](#). Please make sure that you download the 3D model file in .STEP format (beware that some browsers might add .txt).

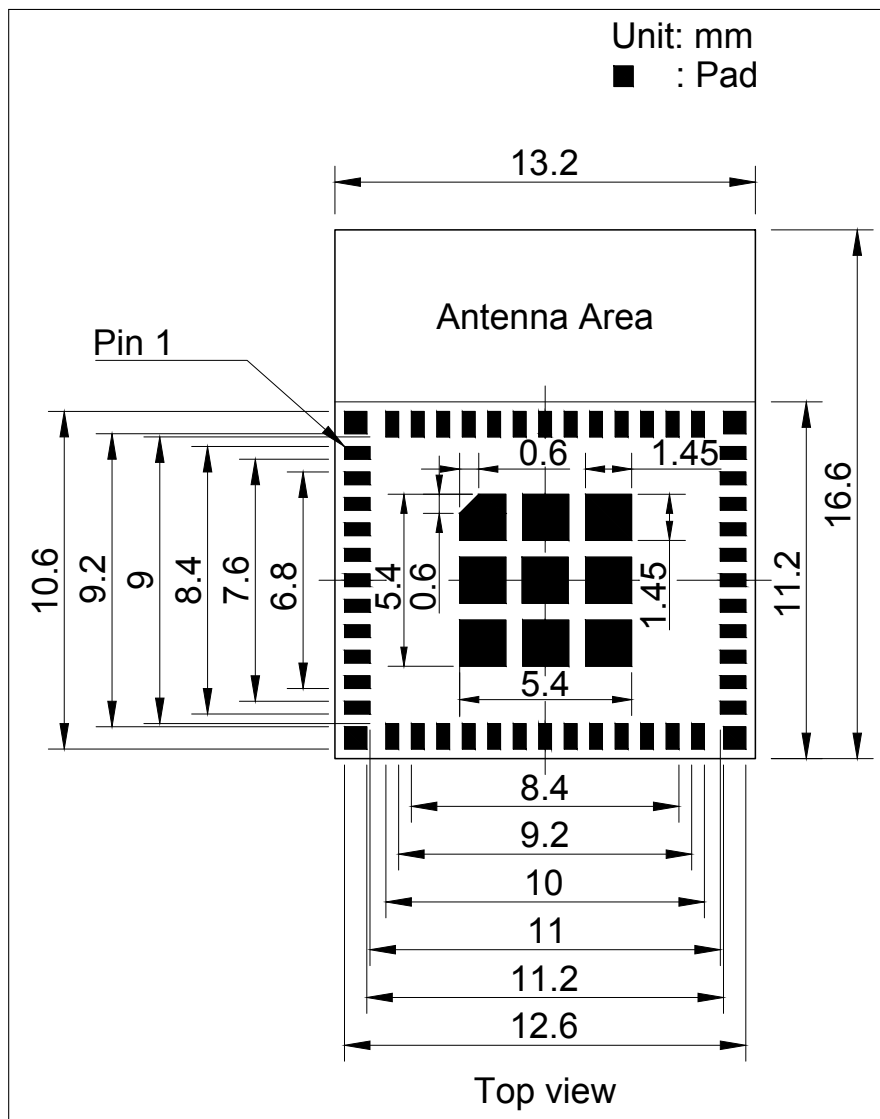


Figure 11: ESP8684-MINI-1 Recommended PCB Land Pattern

12 Product Handling

12.1 Storage Conditions

The products sealed in moisture barrier bags (MBB) should be stored in a non-condensing atmospheric environment of $< 40\text{ °C}$ and 90%RH. The module is rated at the moisture sensitivity level (MSL) of 3.

After unpacking, the module must be soldered within 168 hours with the factory conditions $25\pm 5\text{ °C}$ and 60%RH. If the above conditions are not met, the module needs to be baked.

12.2 Electrostatic Discharge (ESD)

- Human body model (HBM): $\pm 2000\text{ V}$
- Charged-device model (CDM): $\pm 500\text{ V}$

12.3 Reflow Profile

Solder the module in a single reflow.

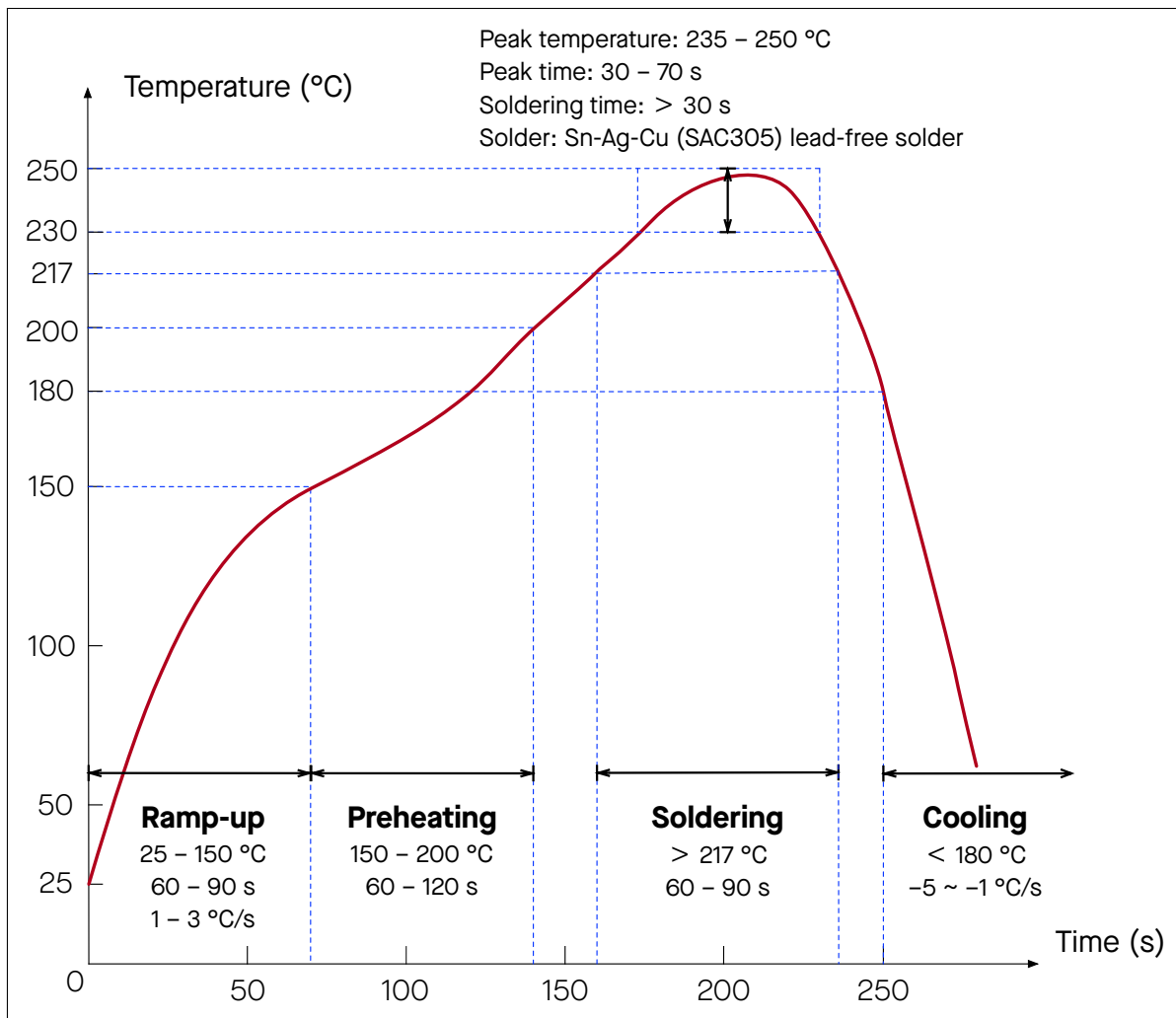


Figure 13: Reflow Profile

12.4 Ultrasonic Vibration

Avoid exposing Espressif modules to vibration from ultrasonic equipment, such as ultrasonic welders or ultrasonic cleaners. This vibration may induce resonance in the in-module crystal and lead to its malfunction or even failure. As a consequence, **the module may stop working or its performance may deteriorate.**

Related Documentation and Resources

Related Documentation

- [ESP8684 Series Datasheet](#) – Specifications of the ESP8684 hardware.
- [ESP8684 Technical Reference Manual](#) – Detailed information on how to use the ESP8684 memory and peripherals.
- [ESP8684 Hardware Design Guidelines](#) – Guidelines on how to integrate the ESP8684 into your hardware product.
- [ESP8684 Series SoC Errata](#) – Descriptions of known errors in ESP8684 series of SoCs.
- *Certificates*
<https://espressif.com/en/support/documents/certificates>
- *ESP8684 Product/Process Change Notifications (PCN)*
<https://espressif.com/en/support/documents/pcns?keys=ESP8684>
- *Documentation Updates and Update Notification Subscription*
<https://espressif.com/en/support/download/documents>

Developer Zone

- [ESP-IDF Programming Guide for ESP8684](#) – Extensive documentation for the ESP-IDF development framework.
- *ESP-IDF* and other development frameworks on GitHub.
<https://github.com/espressif>
- *ESP32 BBS Forum* – Engineer-to-Engineer (E2E) Community for Espressif products where you can post questions, share knowledge, explore ideas, and help solve problems with fellow engineers.
<https://esp32.com/>
- *The ESP Journal* – Best Practices, Articles, and Notes from Espressif folks.
<https://blog.espressif.com/>
- See the tabs *SDKs and Demos, Apps, Tools, AT Firmware*.
<https://espressif.com/en/support/download/sdks-demos>

Products

- *ESP8684 Series SoCs* – Browse through all ESP8684 SoCs.
<https://espressif.com/en/products/socs?id=ESP8684>
- *ESP8684 Series Modules* – Browse through all ESP8684-based modules.
<https://espressif.com/en/products/modules?id=ESP8684>
- *ESP8684 Series DevKits* – Browse through all ESP8684-based devkits.
<https://espressif.com/en/products/devkits?id=ESP8684>
- *ESP Product Selector* – Find an Espressif hardware product suitable for your needs by comparing or applying filters.
<https://products.espressif.com/#/product-selector?language=en>

Contact Us

- See the tabs *Sales Questions, Technical Enquiries, Circuit Schematic & PCB Design Review, Get Samples* (Online stores), *Become Our Supplier, Comments & Suggestions*.
<https://espressif.com/en/contact-us/sales-questions>

Revision History

Date	Version	Release notes
2025-03-10	v1.0	<ul style="list-style-type: none"> Added Certification and Test related information in Section 1 Module Overview Updated Table 15 Wi-Fi RF Transmitter (TX) Characteristics and Table 16 Wi-Fi RF Transmitter (TX) Characteristics
2025-01-20	v0.9	<ul style="list-style-type: none"> Table 1 Series Comparison and table 2 Series Comparison: <ul style="list-style-type: none"> Update Ordering Code from ESP8684-MINI-1-H2 to ESP8684-MINI-1-H2X Update Ordering Code from ESP8684-MINI-1-H4 to ESP8684-MINI-1-H4X Update Ordering Code from ESP8684-MINI-1U-H2 to ESP8684-MINI-1U-H2X Update Ordering Code from ESP8684-MINI-1U-H4 to ESP8684-MINI-1U-H4X
2024-12-23	v0.8	<ul style="list-style-type: none"> In Chapter 1 Module Overview, renamed 1.2 Description to 1.2 Series Comparison In Chapter 3.1 Pin Layout, Add annotations to the antenna keepout zone Improved the structure, formatting, and wording in: <ul style="list-style-type: none"> Chapter 4 Boot Configurations (use to be Section 3.3 Strapping Pins) Chapter 6 Electrical Characteristics and 7 RF Characteristics (used to be Chapter 4 Electrical Characteristics) Chapter 10 Physical Dimensions and 11 PCB Layout Recommendations (used to be Chapter 7 Physical Dimensions and PCB Land Pattern) Added Chapter 5 Peripherals Added Chapter 11.2 Module Placement for PCB Design
2024-01-09	v0.7	<ul style="list-style-type: none"> Added an item about Bluetooth 5.3 certification in Section 1.1 Features. Updated Section 10.2 Dimensions of External Antenna Connector
2022-12-27	v0.6	Added a note to table 3 Pin Description
2021-08-22	v0.5	Updated Chapter 6 Electrical Characteristics based on 26 MHz crystal
2022-02-16	v0.1	Preliminary release



Disclaimer and Copyright Notice

Information in this document, including URL references, is subject to change without notice.

ALL THIRD PARTY'S INFORMATION IN THIS DOCUMENT IS PROVIDED AS IS WITH NO WARRANTIES TO ITS AUTHENTICITY AND ACCURACY.

NO WARRANTY IS PROVIDED TO THIS DOCUMENT FOR ITS MERCHANTABILITY, NON-INFRINGEMENT, FITNESS FOR ANY PARTICULAR PURPOSE, NOR DOES ANY WARRANTY OTHERWISE ARISING OUT OF ANY PROPOSAL, SPECIFICATION OR SAMPLE.

All liability, including liability for infringement of any proprietary rights, relating to use of information in this document is disclaimed. No licenses express or implied, by estoppel or otherwise, to any intellectual property rights are granted herein.

The Wi-Fi Alliance Member logo is a trademark of the Wi-Fi Alliance. The Bluetooth logo is a registered trademark of Bluetooth SIG.

All trade names, trademarks and registered trademarks mentioned in this document are property of their respective owners, and are hereby acknowledged.

Copyright © 2025 Espressif Systems (Shanghai) Co., Ltd. All rights reserved.

www.espressif.com