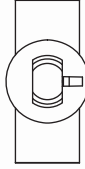
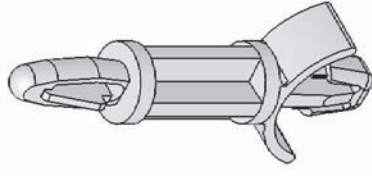
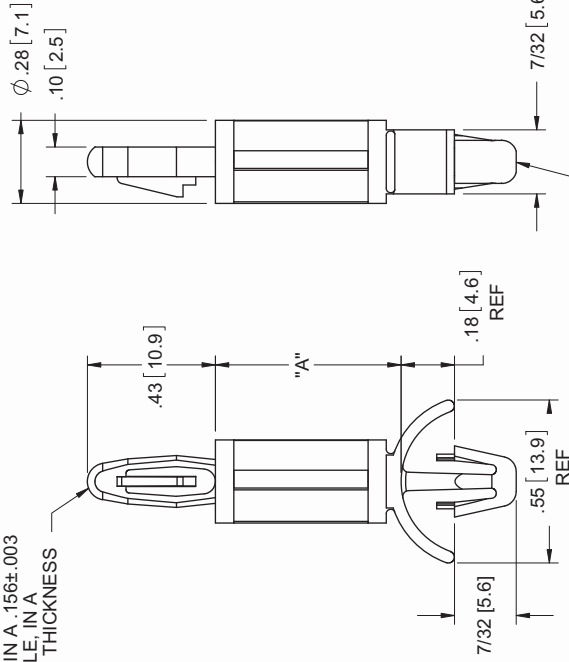


AVAILABLE BY SPECIAL ORDER- NAFTA REGION ONLY



TO SNAP-LOCK IN A .156±.003
(4±0.08) DIA. HOLE, IN A
.093 [2.4] PANEL THICKNESS



MATERIAL: NYLON 6/6 UL 94 V-2 (RMS-01) PART NO.	DIM. "A"±.015 [0.4]
LCBSA-6-3-01	3/16 [4.8]
LCBSA-6-4-01	1/4 [6.4]
LCBSA-6-5-01	5/16 [7.9]
LCBSA-6-6-01	3/8 [9.5]
LCBSA-6-7-01	7/16 [11.1]
LCBSA-6-8-01	1/2 [12.7]
LCBSA-6-10-01	5/8 [15.9]
LCBSA-6-12-01	3/4 [19.1]
LCBSA-6-14-01	7/8 [22.2]
LCBSA-6-16-01	1 [25.4]
LCBSA-6-18-01	1-1/8 [28.6]
LCBSA-6-20-01	1-1/4 [31.7]
LCBSA-6-22-01	1-3/8 [34.9]

- NOTES:
 1. MATERIAL: NYLON 6/6 UL 94 V-0 (RMS-19)
 AVAILABLE BY SPECIAL ORDER. TO ORDER
 REPLACE ".01" WITH ".19".
 2. COLOR: NATURAL.
 3. ALTERNATE UNITS FOR REFERENCE ONLY.

TITLE: LOCKING CIRCUIT BOARD SUPPORT

REV.	DESCRIPTION	ENGR.	DATE
E	CHANGED PART NO. CO.200805	SK	12/02/10
D	REDRAWN, SEE ECN #1208 FOR CHANGES	SK	11/29/06
-	SEE ENGINEERING FOR REV A-C	---	---

CREATED USING VBA SERVICES UNLESS NOTED XX#±.010 XXX±.005 FRAC=±1/64 ANG=±1°	FILE # LCBSA-6	DWN: SK	APP: RT
SHEET: 1 OF 1	SHEET SIZE: A	DT: 08/25/06	CHKD: SJ
RE: RICHCO, INC.	RICHCO, INC. ENG@RICHCO-INC.COM (773) 538-4060		

DWG IN IN [MM]	FINAL
PART #	SEE TABLE
PRINT TYPE	CA



Mouser Electronics

Authorized Distributor

Click to View Pricing, Inventory, Delivery & Lifecycle Information:

Essentra:

[LCBSA-6-4-19](#) [LCBSA-6-7-01](#) [LCBSA-6-10-01](#) [LCBSA-6-10-19](#) [LCBSA-6-12-01](#) [LCBSA-6-12-19](#) [LCBSA-6-14-01](#)
[LCBSA-6-14-19](#) [LCBSA-6-5-19](#) [LCBSA-6-6-01](#) [LCBSA-6-6-19](#) [LCBSA-6-7-19](#) [LCBSA-6-8-01](#) [LCBSA-6-8-19](#)
[LCBSA-6-22-01](#) [LCBSA-6-22-19](#) [LCBSA-6-3-01](#) [LCBSA-6-3-19](#) [LCBSA-6-4-01](#) [LCBSA-6-5-01](#) [LCBSA-6-16-01](#)
[LCBSA-6-16-19](#) [LCBSA-6-18-01](#) [LCBSA-6-18-19](#) [LCBSA-6-20-01](#) [LCBSA-6-20-19](#)