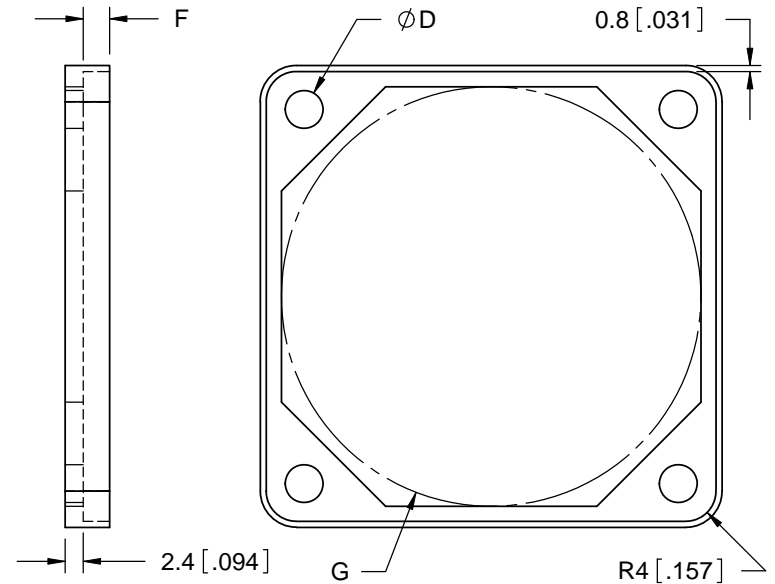
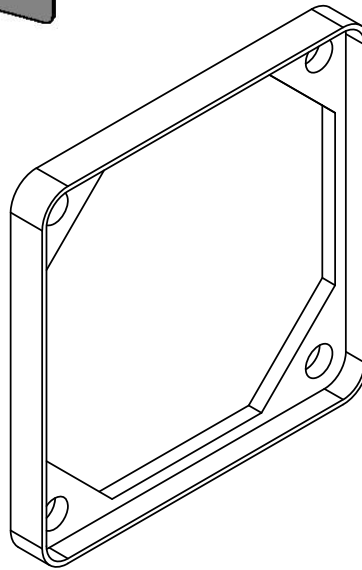


| PART NUMBER | FAN SIZE | FAN HOLE SPACING | "D" | "F" | "G" REF |
|-------------|------------|------------------|-----------|-----------|------------|
| FGA-40 | 40 [1.57] | 32 [1.26] | 4.5 [.18] | 3.5 [.14] | 36 [1.42] |
| FGA-50 | 50 [1.97] | 40 [1.57] | | | 46 [1.81] |
| FGA-60 | 60 [2.36] | 50 [1.97] | 5 [.20] | 4 [.16] | 56 [2.20] |
| FGA-70 | 70 [2.76] | 61.5 [2.42] | | | 66 [2.60] |
| FGA-80 | 80 [3.15] | 71.5 [2.81] | | | 75 [2.95] |
| FGA-92 | 92 [3.62] | 82.5 [3.25] | | | 87 [3.43] |
| FGA-120 | 120 [4.72] | 105 [4.13] | | | 115 [4.53] |



NOTES:

1. MATERIAL: SILICONE RUBBER, 40 SHORE A (RMS-101)
2. COLOR: BLACK
3. ALTERNATE UNITS FOR REFERENCE ONLY.
4. FAN NOT SUPPLIED.

| | | | | | | |
|---|--|---------------|----------------|--------------|------------------|---------------|
| TITLE: FAN MOUNT GASKET | | | | | UNITS mm [IN] | |
| CREATED USING SOLIDWORKS | FILE #: FGA | DWN: D.J.Z. | APP: D.J.Z. | FINAL | | |
| GENERAL TOLERANCE UNLESS NOTED ± 0.25 ANG. $\pm 1^\circ$ | SHEET: 1 OF 1 | SHEET SIZE: A | DT: 05/17/2010 | CHKD: M.J.B. | PART # | PRINT TYPE |
| RE: RICHCO INC. | RICHCO, INC. ENG@RICHCO-INC.COM (773) 539-4060 | | SEE TABLE | | CA | |

| | | | |
|------|-------------------------|-------|----------|
| A | RELEASED FOR PRODUCTION | SK | 07/15/10 |
| REV. | DESCRIPTION | ENGR. | DATE |

Mouser Electronics

Authorized Distributor

Click to View Pricing, Inventory, Delivery & Lifecycle Information:

[Essentra:](#)

[FGA-92](#) [FGA-120](#) [FGA-50](#) [FGA-80](#) [FGA-40](#) [FGA-60](#) [FGA-70](#)