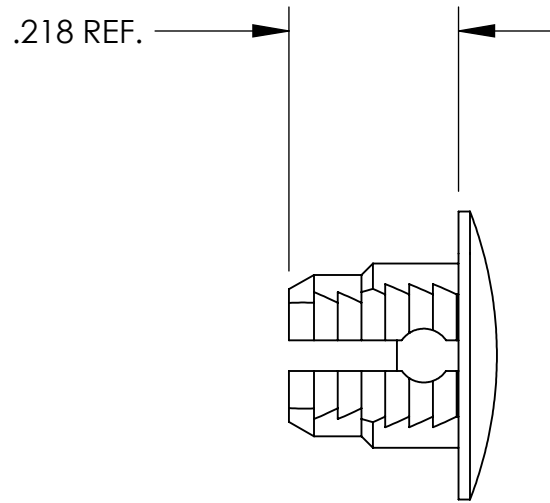
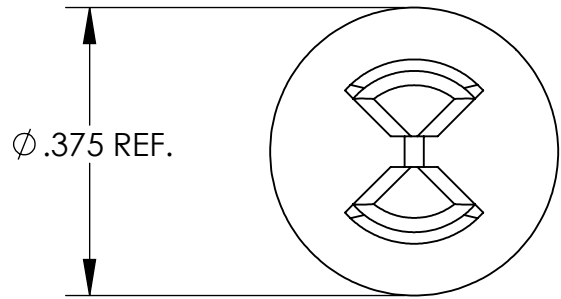


UNCONTROLLED DOCUMENT

NOTE:
HOLE SIZE .250
GRIP RANGE .235 - .297



TOLERANCES UNLESS NOTED

- ±.005 ON DIMENSIONS THRU .625
- ±.008 ON DIMENSIONS .626 THRU 1.000
- ±.010 ON DIMENSIONS 1.001 THRU 1.500
- ±.015 ON DIMENSIONS LARGER THAN 1.500
- ±.015 ON FRACTIONAL DIMENSIONS

**WE RESERVE THE RIGHT
TO DISCONTINUE ITEMS,
CHANGE SPECIFICATIONS
OR DESIGN AT ANY TIME
WITHOUT NOTICE AND
WITHOUT INCURRING
ANY OBLIGATIONS**

PROPERTY OF		
MICRO PLASTICS INC.		
CATALOG DRAWING RATCHETING ACTION RIVETS MICRO P/N 27QB375250B DWG. # 27QB375250B FILE SERVER\ENG\WEB		
MATERIAL:	NYLON 6/6; BLACK	
DATE	SCALE 4:1	DB

Mouser Electronics

Authorized Distributor

Click to View Pricing, Inventory, Delivery & Lifecycle Information:

[Essentra:](#)

[27QB375250B](#)