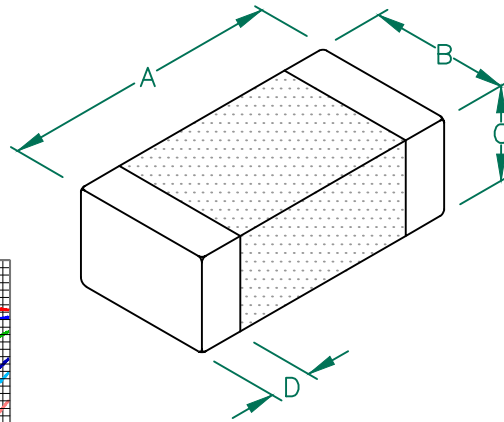


MI1206K900R-10

PHYSICAL DIMENSIONS:

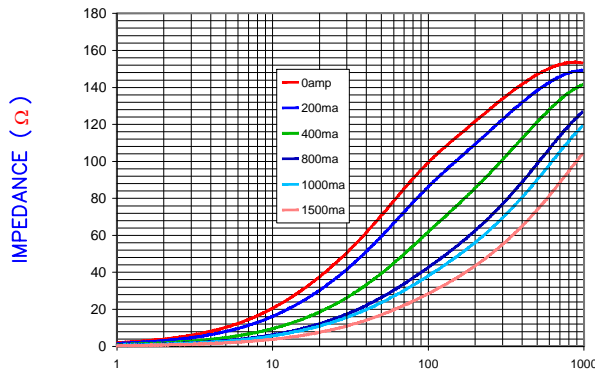
A	3.20 [.126]	+ 0.20 [.008]
B	1.60 [.063]	+ 0.20 [.008]
C	1.10 [.043]	+ 0.20 [.008]
D	0.51 [.020]	+ 0.25 [.010]



ELECTRICAL CHARACTERISTICS:

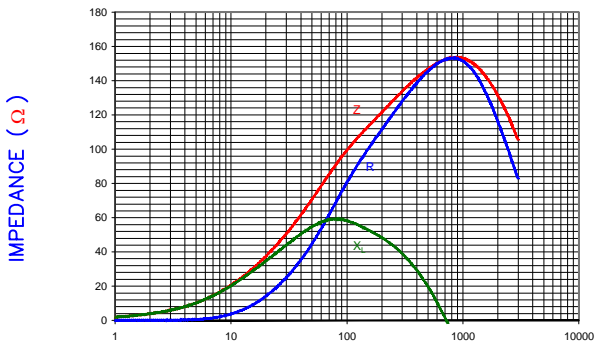
	Z @ 100MHz (Ω)	DCR (Ω)	Rated Current
Nominal	90		
Minimum	68		
Maximum	113	0.080	1500 mA

Z vs FREQUENCY
IMPEDANCE UNDER DC BIAS



FREQUENCY (MHz)

|Z|, R, AND X vs. FREQUENCY

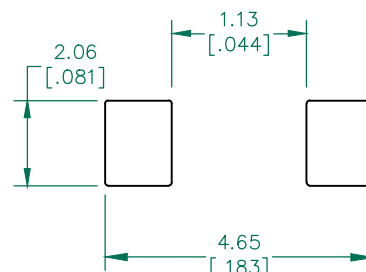


FREQUENCY (MHz)

Z R X_L

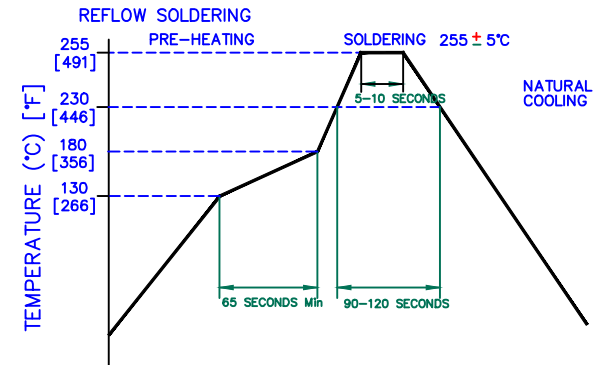
AGILENT E4991A RF Impedance/Material Analyzer
HP 16194A Test Fixture. TEST REF. 3337

LAND PATTERNS FOR REFLOW SOLDERING



(For wave soldering, add 0.762 (0.030) to this dimension)

RECOMMENDED SOLDERING CONDITIONS



DIMENSIONS ARE IN mm [INCHES]				This print is the property of Laird Tech. and is loaned in confidence subject to return upon request and with the understanding that no copies shall be made without the written consent of Laird Tech. All rights to design or invention are reserved.	
D	ADD OPERATING TEMPERATURE UPDATE LAIRD LOGO AND REFLOW CURVE	08/05/13	QU		
C	UPDATE COMPANY LOGO	08/22/08	JRK		
B	ADD ROHS SYMBOL, TAPE SPEC & UPDATE COMPANY LOGO	08/31/07	JRK	PROJECT/PART NUMBER: MI1206K900R-10	REV D PART TYPE: CO-FIRE
A	ORIGINAL DRAFT	06/02/04	JRK	DATE: 06/02/04 SCALE: NTS	SHEET: 1 of 1
REV	DESCRIPTION	DATE	INT	CAD # MI1206K900R-10-D	TOOL # -

Mouser Electronics

Authorized Distributor

Click to View Pricing, Inventory, Delivery & Lifecycle Information:

[Laird Performance Materials:](#)

[MI1206K900R-10](#)