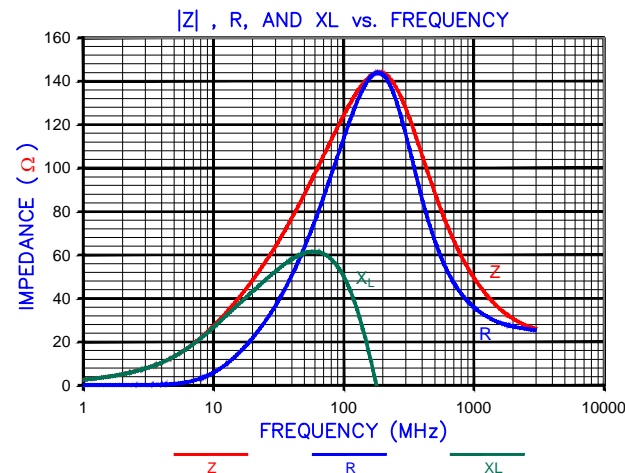
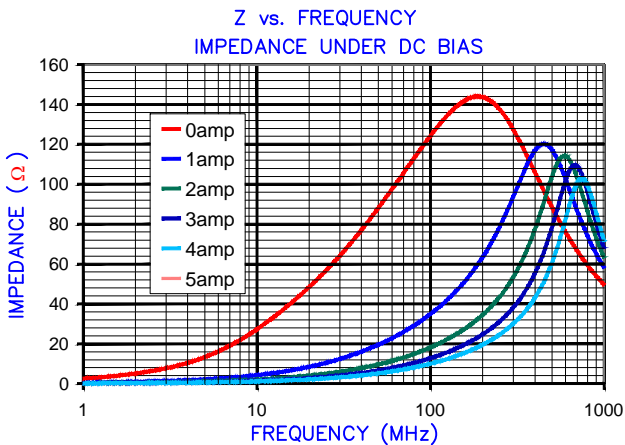
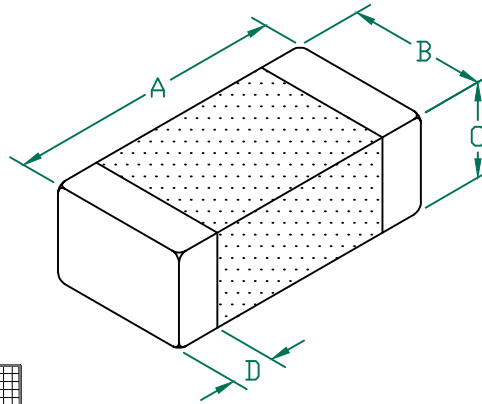


HI1206P121R-10

PHYSICAL DIMENSIONS:

A	3.20 [.126]	+ 0.20 [.008]	- 0.20 [.008]
B	1.60 [.063]	+ 0.20 [.008]	- 0.20 [.008]
C	1.10 [.043]	+ 0.20 [.008]	- 0.20 [.008]
D	0.51 [.020]	+ 0.25 [.010]	- 0.25 [.010]



AGILENT E4991A RF Impedance/Material Analyzer
HP 16092A Test Fixture. TEST REF. 3185

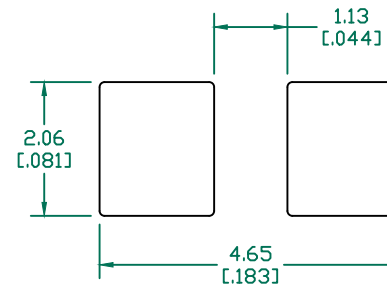
ELECTRICAL CHARACTERISTICS:

	Z @ 100MHz (Ω)	DCR (Ω)	Rated Current
Nominal	120		
Minimum	90		
Maximum	150	0.030	4000 mA

NOTES: UNLESS OTHERWISE SPECIFIED

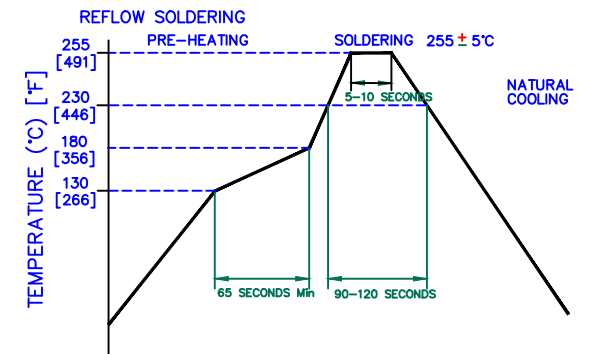
1. TAPED AND REELED per CURRENT EIA SPECIFICATIONS 7" REELS, 3000 PCS/REEL.
2. TERMINATION FINISH IS 100% TIN.
3. COMPONENTS SHOULD BE ADEQUATELY PREHEATED BEFORE SOLDERING.
4. OPERATEING TEMPERATURE TEMP: $-40^{\circ}\text{C} \sim +125^{\circ}\text{C}$ (INCLUDING SELF-HEATING)

LAND PATTERNS FOR REFLOW SOLDERING



(For wave soldering, add 0.762 [0.030] to this dimension)

RECOMMENDED SOLDERING CONDITIONS



ROHS

DIMENSIONS ARE IN mm [INCHES].				This print is the property of Laird Tech. and is loaned in confidence subject to return upon request and with the understanding that no copies shall be made without the written consent of Laird Tech. All rights to design or invention are reserved.	
D	OPERATING TEMPERATURE UPDATE LAIRD LOGO AND REFLOW CURVE	08/05/13	QU	PROJECT/PART NUMBER:	REV D
C	UPDATE COMPANY LOGO	06/15/09	JRK	HI1206P121R-10	PART TYPE: CO-FIRE
B	UPDATE COMPANY LOGO ADD ROHS SYMBOL	01/17/08	JRK	DATE: 03/26/04	SCALE: NTS
A	ORIGINAL DRAFT	03/26/04	TMB	CAD #	SHEET: 1 of 1
REV	DESCRIPTION	DATE	INT	HI1206P121R-10-D	TOOL # -

Laird

Mouser Electronics

Authorized Distributor

Click to View Pricing, Inventory, Delivery & Lifecycle Information:

[Laird Performance Materials:](#)

[HI1206P121R-10](#)