

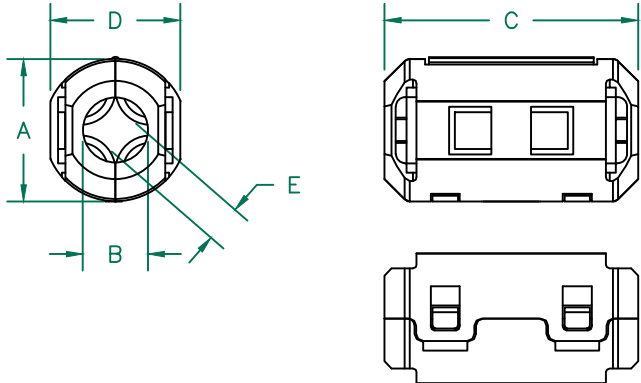
IMPEDANCE (Z)			
Frequency	25 MHz	100 MHz	300 MHz
Nominal (REF)	106 Ω	233 Ω	366 Ω
Minimum	- Ω	186 Ω	- Ω

CORE DIMENSIONS:

A	16.00 [.630]	±	0.30 [.012]
B	8.00 [.315]	±	0.20 [.008]
C	28.00 [1.102]	±	0.50 [.020]
D	7.50 [.295]	±	0.20 [.008]
E	5.60 [.220]	±	0.30 [.012]

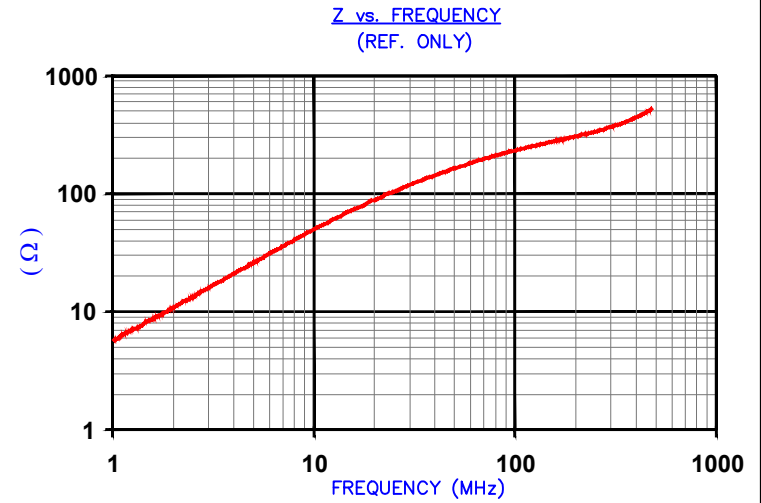


Weight/1000 (Per Pair) 19.98 kgs [44.08 lbs.]



CASE DIMENSIONS:

A	19.70 [.776]	±	0.40 [.016]
B	9.00 [.354]	±	0.30 [.012]
C	35.10 [1.382]	±	0.50 [.020]
D	18.00 [.709]	±	0.40 [.016]
E	5.31 [.209]	±	REF.



AGILENT E4991A Impedance/Material Analyzer
HP 16092A-Test Fixture

NOTES:

1. CASE FLAMMABILITY RATING: UL94 V-0
2. CASE MATERIAL: HALOGEN FREE NYLON
3. ASSEMBLED PART #: 28A2738-0A2
4. CORE PART #: 28A2738-000
5. CASE COLOR: BLACK -"0A2"
6. COSMETIC SPECIFICATION REFER TO WI-QA-038.

DIMENSIONS ARE IN mm [INCHES].				This print is the property of Laird Tech. and is loaned in confidence subject to return upon request and with the understanding that no copies shall be made without the written consent of Laird Tech. All rights to design or invention are reserved.		Laird	
				PROJECT/PART NUMBER:	REV	PART TYPE:	DRAWN BY:
				28A2738-0A2	B	FERRITE SNAP-ON	TMB
B	UPDATE COMPANY LOGO ,ADD NOTE 6	08/23/14	QIU	DATE:	SCALE:	NTS	MATERIAL:
A	ORIGINAL DRAFT	01/30/09	TMB	01/30/09			Ferrite
REV	DESCRIPTION	DATE	INT	CAD #	TOOL #	-	
				28A2738-0A2-B			

Mouser Electronics

Authorized Distributor

Click to View Pricing, Inventory, Delivery & Lifecycle Information:

[Laird Performance Materials:](#)

[28A2738-0A2](#)