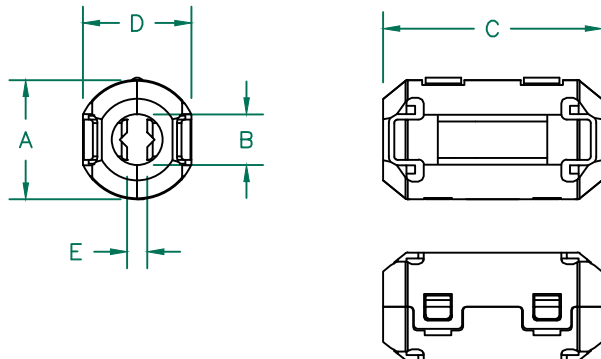


CORE DIMENSIONS:

A	13.00 [.512]	+ 0.30 [.012]
B	7.00 [.275]	+ 0.30 [.012]
C	23.00 [.905]	+ 0.50 [.020]
D	6.27 [.247]	+ 0.20 [.008]
E	5.00 [.197]	+ 0.30 [.012]

Weight/1000 10.6 kgs 23.49 lbs.
(Per Pair)



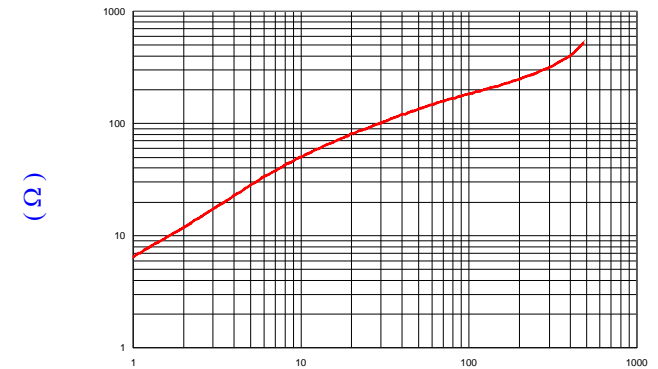
CASE DIMENSIONS:

A	16.50 [.650]	+ 0.40 [.016]
B	7.00 [.276]	+ 0.40 [.016]
C	30.50 [1.201]	+ 0.60 [.024]
D	15.25 [.600]	+ 0.40 [.016]
E	2.79 [.110]	REF.

RoHS

IMPEDANCE (Z)			
Frequency	25 MHz	100 MHz	300 MHz
Nominal (REF)	92 Ω	183 Ω	315 Ω
Minimum	- Ω	146 Ω	- Ω

Z vs. FREQUENCY



FREQUENCY (MHz)

AGILENT E4991A Impedance/Material Analyzer
HP 16092A-Test Fixture

NOTES:

1. CASE FLAMMABILITY RATING: UL94 V-0
2. CASE MATERIAL: HALOGEN FREE NYLON
3. ASSEMBLED PART #: 28A2307-0A2
4. CORE PART #: 28A2307-000
5. CASE COLOR: BLACK -"0A2"
6. COSMETIC SPECIFICATION REFER TO WI-QA-038.

DIMENSIONS ARE IN mm [INCHES].				This print is the property of Laird Tech. and is loaned in confidence subject to return upon request and with the understanding that no copies shall be made without the written consent of Laird Tech. All rights to design or invention are reserved.		Laird	
				PROJECT/PART NUMBER:	REV	PART TYPE:	DRAWN BY:
				28A2307-0A2	D	FERRITE SNAP-ON	TMB
D	UPDATE COMPANY LOGO ,ADD NOTE 6	08/23/14	QIU	DATE:	SCALE:	NTS	MATERIAL:
C	UPDATE CASE SHAPE	06/14/11	Jcai	09/26/08			Ferrite
B	UPDATE DIMS. C AND D	3/10/09	JRK	CAD #	TOOL #	-	
A	ORIGINAL DRAFT	09/26/08	TMB	28A2307-0A2-D			
REV	DESCRIPTION	DATE	INT				

Mouser Electronics

Authorized Distributor

Click to View Pricing, Inventory, Delivery & Lifecycle Information:

[Laird Performance Materials:](#)

[28A2307-0A2](#)