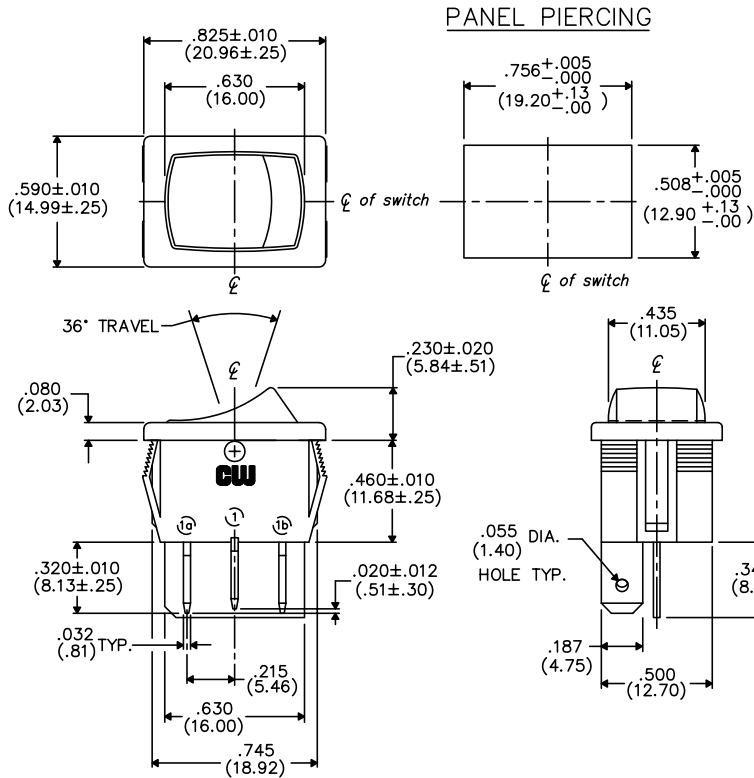


THIS INFORMATION IS CONFIDENTIAL AND PROPRIETARY TO CW INDUSTRIES INCORPORATED AND ITS AFFILIATES. IT MAY NOT BE DISCLOSED TO ANYONE, OTHER THAN CW INDUSTRIES PERSONNEL, WITHOUT WRITTEN AUTHORIZATION FROM CW INDUSTRIES INCORPORATED, SOUTHAMPTON, PENNSYLVANIA USA.

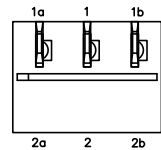
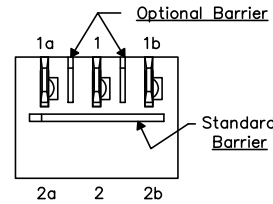
DIMENSIONS IN INCHES (MILLIMETERS)
DO NOT SCALE DRAWING

Dwg. No.
GRS-4012-XXXX

E
D
C
B
A



OPTIONAL INSULATING BARRIER



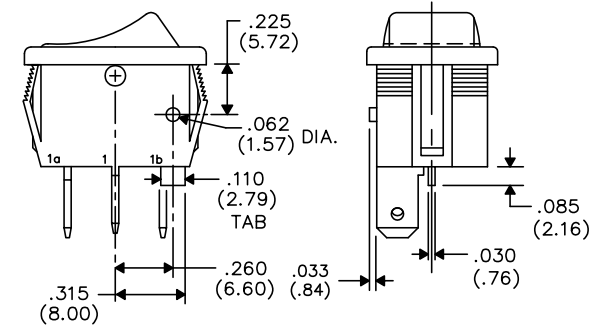
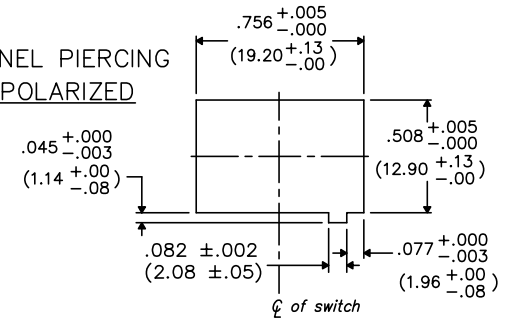
BOTTOM VIEW

- TERMINAL OPTIONS:
- .187" (4.75mm) x .032" (.81mm) Solderless
 - .110" (2.79mm) x .032" (.81mm) Solderless
 - .187" (4.75mm) x .020" (.51mm) Solderless
 - .110" (2.79mm) wide with .048" (1.22mm) x .237" (6.02mm) Slot for Soldering

MOUNTING PANEL THICKNESS

Standard—.050" (1.27mm) to .150" (3.81mm).
Optional Mounting Claws for Custom Panel thickness are available.

PANEL PIERCING POLARIZED



TAB AND POLARIZATION OPTIONS

B-FORMAT 2002

REVISIONS

1 2 3 4 5 6 7 8 9 10

CW INDUSTRIES
Southampton, Pa. 18966

TOLERANCES UNLESS OTHERWISE SPECIFIED.
2 Place Decimal ±.010 METRIC
3 Place Decimal ±.005 1 Place Dec. ±.25mm
Angles ±1° 2 Place Dec. ±.13mm

Made for: CW IND.
Drawn by: DGW 10-28-2010
Checked by:
Approval:

Title: **ROCKER SWITCH ASSEMBLY S.P./D.T.**

Division: **SWITCH**
Dwg. No. **GRS-4012-XXXX**

Mouser Electronics

Authorized Distributor

Click to View Pricing, Inventory, Delivery & Lifecycle Information:

CW Industries:

[GRS-4012-0059](#) [GRS-4012-0030](#) [GRS-4012-0033](#) [GRS-4012-0019](#) [GRS-4012-0017](#) [GRS-4012-0024](#) [GRS-4012-0049](#) [GRS-4012-0050](#) [GRS-4012-0057](#) [GRS-4012-0020](#) [GRS-4012-0001](#) [GRS-4012-0002](#) [GRS-4012-0016](#) [GRS-4012-0051](#) [GRS-4012-0034](#) [GRS-4012-0032](#)