

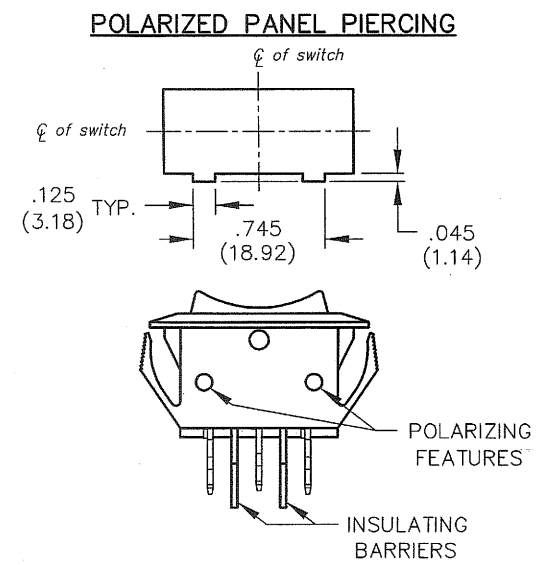
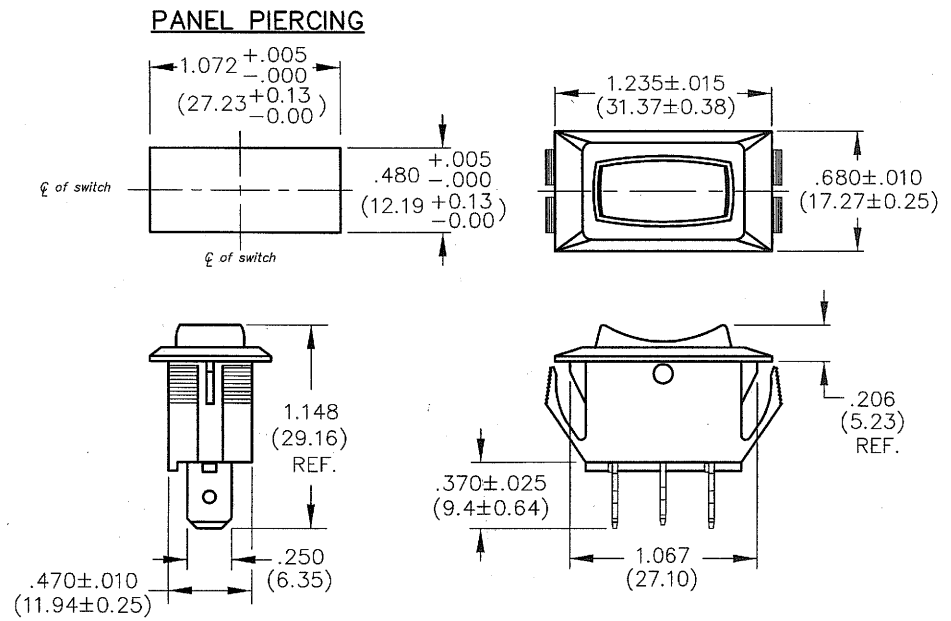
F  
 D  
 C  
 B  
 A

THIS INFORMATION IS CONFIDENTIAL AND PROPRIETARY TO CW INDUSTRIES INCORPORATED AND ITS AFFILIATES. IT MAY NOT BE DISCLOSED TO ANYONE OTHER THAN CW INDUSTRIES PERSONNEL, WITHOUT WRITTEN AUTHORIZATION FROM CW INDUSTRIES INCORPORATED, SOUTHAMPTON, PENNSYLVANIA USA.

DIMENSIONS IN INCHES (MILLIMETERS) Dwg. No.  
 DO NOT SCALE DRAWING ..... GRS-2013A-3XXX

**PANEL THICKNESS**  
 .025" to .180"  
 (0.64mm to 4.57mm)

**OPTIONS:**



**TERMINAL OPTIONS:**

.250" Wide Terminal is standard as Shown in drawing.  
 .187" Wide Terminal is optional.

1 2 3 4 5 6 7 8 9 10

B-FORMAT 2002  
**REVISIONS**  
 RELEASED: 7-27-2010  
 DGW  
 OCT 25 2010

**CW INDUSTRIES**  
 Southampton, Pa. 18966  
**TOLERANCES UNLESS OTHERWISE SPECIFIED**  
 2 Place Decimal  $\pm .010$  METRIC  
 3 Place Decimal  $\pm .005$  1 Place Dec.  $\pm .25$ mm  
 Angles .....  $\pm 1'$  2 Place Dec.  $\pm .13$ mm  
 Made for: CW IND.  
 Drawn by: DGW 7-27-2010  
 Checked by: G. Guld 8-16-10  
 Approval: *[Signature]* 8-10-10

Title: **CENTER OFF ROCKER SWITCH ASSEMBLY**  
**S.P.D.T. WITH OPTIONS**  
**1.072" x .480" PANEL**  
 Division: **SWITCH**  
 Dwg. No. **GRS-2013A-3XXX**

**MASTER**

# Mouser Electronics

Authorized Distributor

Click to View Pricing, Inventory, Delivery & Lifecycle Information:

[CW Industries:](#)

[GRS-2013A-3003](#) [GRS-2013A-3010](#) [GRS-2013A-3002](#) [GRS-2013A-3004](#) [GRS-2013A-3001](#) [GRS-2013A-3005](#)