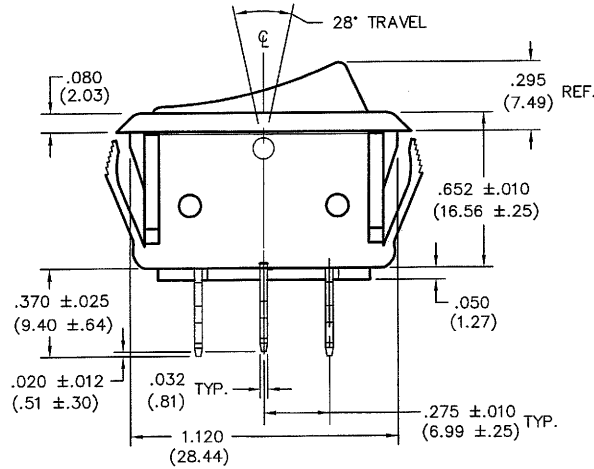
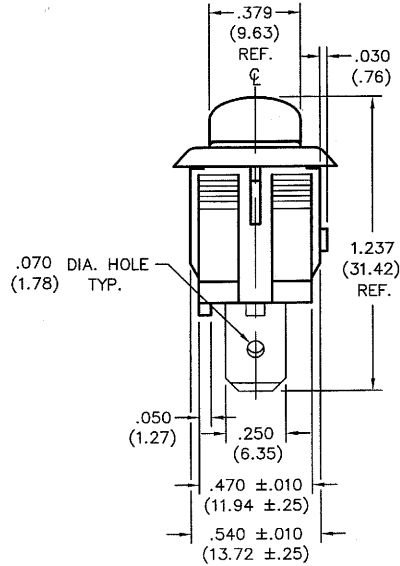
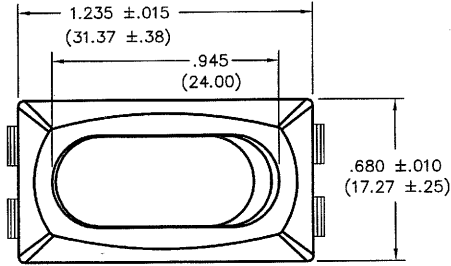
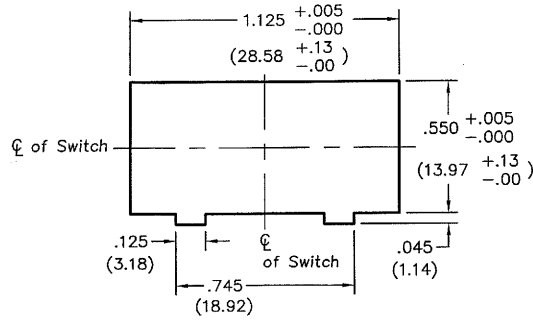


PANEL PIERCING



P/N	MATERIAL COLOR
GRS-2012	
-2505	Button- Beige BN-130 Housing- Beige BN-130

1 2 3 4 5 6 7 8 9 10

FORM-B4

REVISIONS

0
RELEASED: 8-13-2008
DWG: 8-13-2008
AUG 13 2008

CW INDUSTRIES
Southampton, Pa. 18966

TOLERANCES UNLESS OTHERWISE SPECIFIED
2 Place Decimal ±.010 METRIC
3 Place Decimal ±.005 1 Place Dec. ±.25mm
Angles ±1° 2 Place Dec. ±.13mm

Made for: CW IND.
Drawn by: DGW 8-13-2008
Checked by: G. Guld 8-15-08
Approval: G. Guld 8-15-08

Title: **ROCKER SWITCH
S.P.D.T. ASSEMBLY
EURO STYLE, POLARIZED
1.125" x .550" PANEL**

Division: **SWITCH**

Dwg. No. **GRS-2012-2505**

MASTER

Mouser Electronics

Authorized Distributor

Click to View Pricing, Inventory, Delivery & Lifecycle Information:

[CW Industries:](#)

[GRS-2012-2505](#)