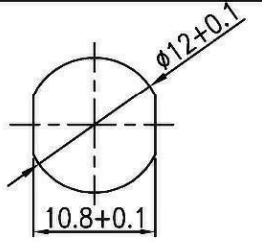
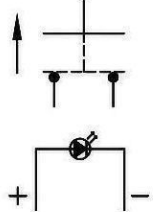


THIS INFORMATION IS CONFIDENTIAL AND PROPRIETARY TO CW INDUSTRIES INCORPORATED AND ITS AFFILIATES. IT MAY NOT BE DISCLOSED TO ANYONE, OTHER THAN CW INDUSTRIES PERSONNEL, WITHOUT WRITTEN AUTHORIZATION FROM CW INDUSTRIES INCORPORATED, SOUTHAMPTON, PENNSYLVANIA USA.

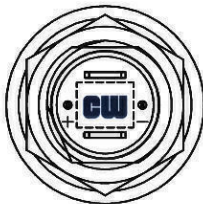
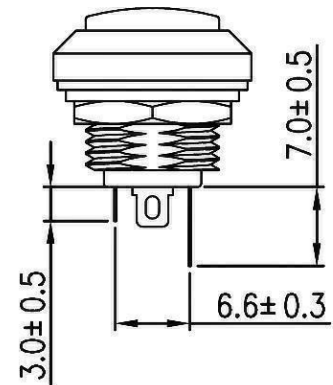
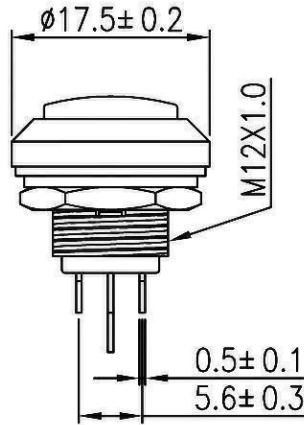
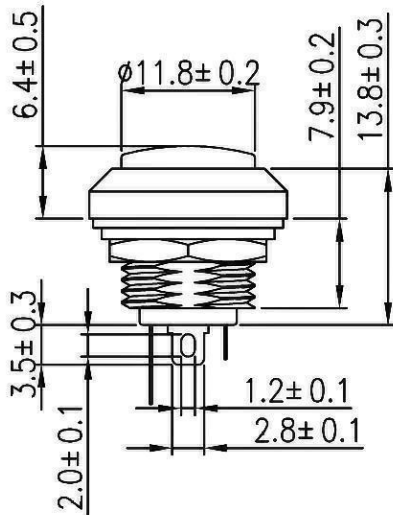
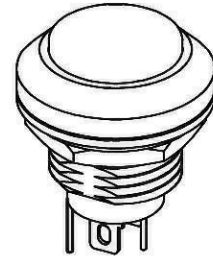
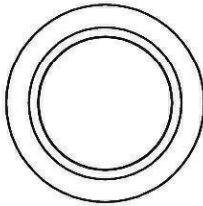
| | |
|-----------------------|--|
| Rating | 400mA 32VAC 125mA 125VAC 100mA 50VDC |
| Configured For | 20mA, If = 2.0 VDC |
| Contact Resistance | 50m ohm Max. |
| Insulation Resistance | DC 500V 100M ohm Min. |
| Dielectric Strength | AC 1000V 1 minute |
| Operation Temp. | - 25 ° C ~ 85 ° C |
| Function | 2P SPST OFF - (ON) Lamp Independent |
| Lamp Type | LED Rating: @ 20mA, If = 2.0VDC |

| Mounting Hole | Circuit Diagram |
|--|---|
|  <p>Thickness: 1.5~4.0mm</p> |  |

() = Momentary Function

MATERIAL:

Frame: Black, Nylon 66(94-v2)
 Actuator: Red, PC (94-v2)
 Base: Black, PBT(94-V0)
 Terminals: Gold plated, Copper
 Waterproof: IP67



RoHS Compliant

1 Added Configured For to Rating, Independent to Function & Lamp Type. 1/23/12.

CW INDUSTRIES
 Southampton, Pa. 18966
 Tel 215.355.7080/www.cwind.com

Date Drawn: 12/01/09

Rev. 1

Unit: mm

Checked By: *G. Gold*

Title:
PUSH BUTTON SWITCH

CW P/N:
GPB556AL05BR

Mouser Electronics

Authorized Distributor

Click to View Pricing, Inventory, Delivery & Lifecycle Information:

[CW Industries:](#)

[GPB556AL05BR](#)