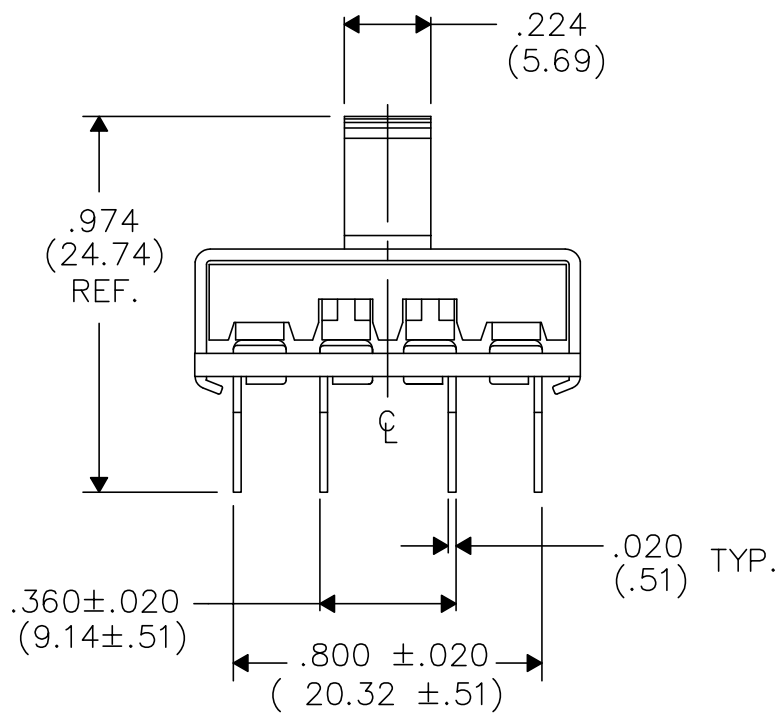
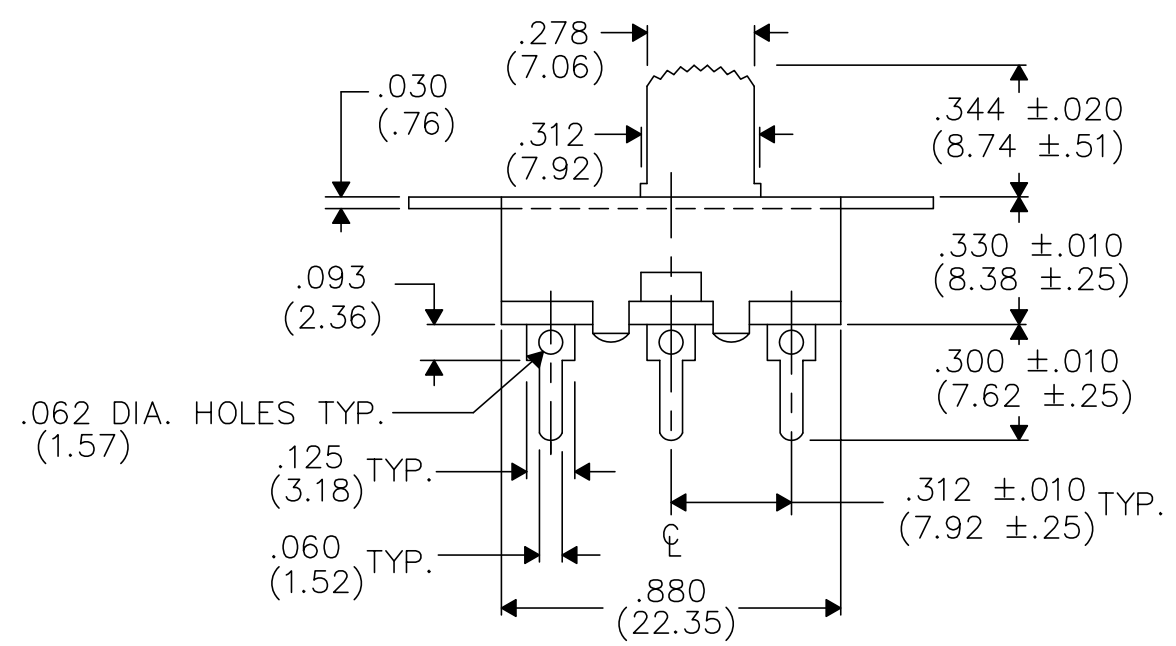
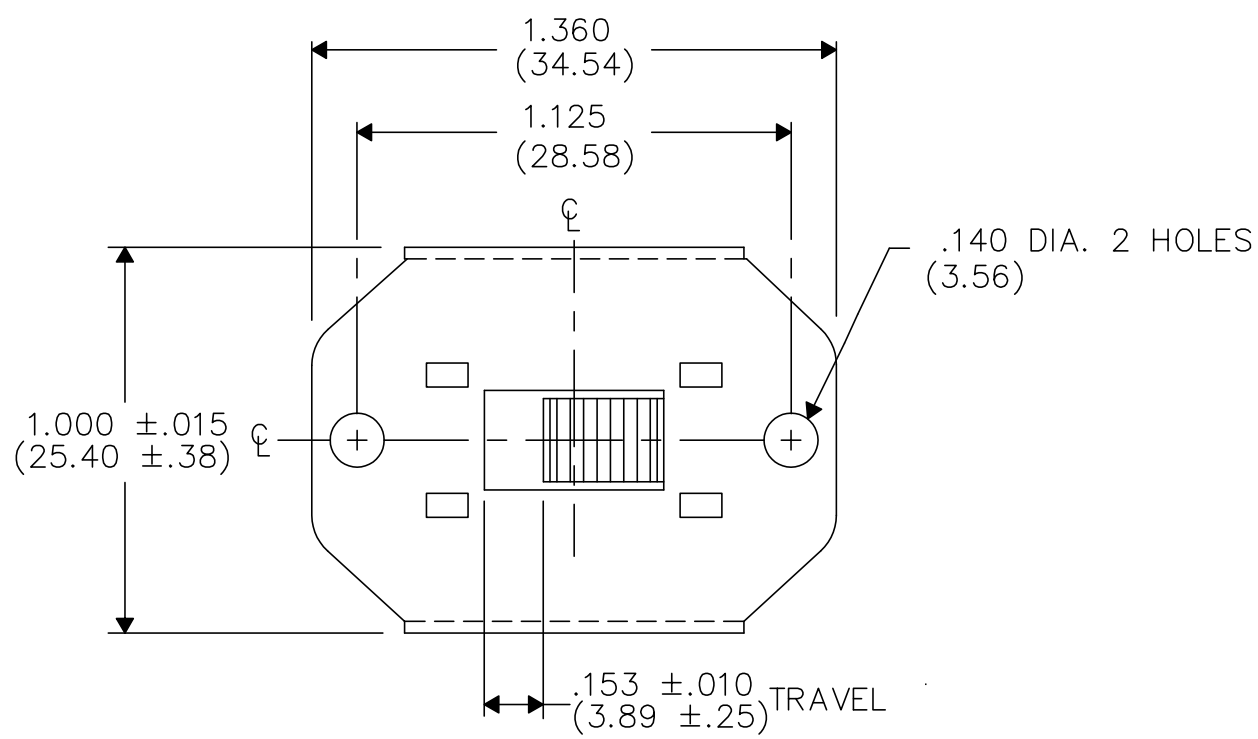


DIMENSIONS IN INCHES (MILLIMETERS)
DO NOT SCALE DRAWING

Dwg. No.
GF-642-6010



1 2 3 4 5 6 7 8 9 10

FORM-B4
REVISIONS
0
RELEASED.
DGW 10-21-93
10-25-93

CW INDUSTRIES
Southampton, Pa. 18966
TOLERANCES UNLESS OTHERWISE SPECIFIED
2 Place Decimal ±.010 METRIC
3 Place Decimal ±.005 1 Place Dec. ±.25mm
Angles ±1' 2 Place Dec. ±.13mm
Made for: CW IND.
Drawn by: DGW 10-21-93
Checked by: GG 10-22-93
Approval: GZ

Title:
STD. SWITCH
ASSEMBLY
4P.D.T.
Division:
SWITCH
Dwg. No.
GF-642-6010

Mouser Electronics

Authorized Distributor

Click to View Pricing, Inventory, Delivery & Lifecycle Information:

[CW Industries:](#)

[GF-642-6010](#)