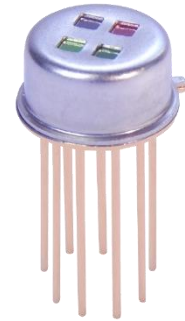


Miniature Thin Film Four Channel Pyroelectric Sensor

Introduction

Unlike other pyroelectric materials, the Pyreos thin film pyroelectric sensors can be reduced in physical size and still provide high sensitivity with fast frequency operation, enabling this highly stable four element sensor in a TO39 package. This current mode sensor offers performance in a small footprint and up to 100 Hz data monitoring. The sensor has internal CMOS trans impedance amplifiers, with 10 GΩ feedback resistors outputting voltage signals centred around half the supply rail. A range of IR filters are available.



Sensor Characteristics

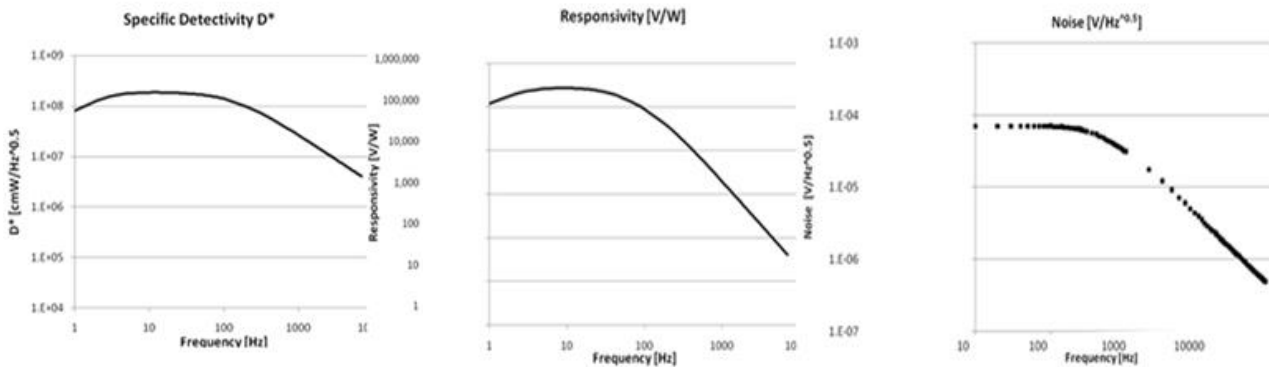
Filter aperture	1.4 mm x 1.4mm
Element size	700 μm x 325 μm
Package	TO39
Responsivity ¹	100,000 V/W
D* ¹	1.5 x 10 ⁸ cm√Hz/ W
Noise ¹	40 uV√Hz
Op amp with 10 GΩ feedback resistor	

Electrical Characteristics

Max. Voltage (+V)	5.0 V ²
Min. Voltage (+V)	2.7 V ²
Recommended Offset V	(+V / 2) ²
Microphonics	S _{vib} ~1 μV/ g at 10Hz
Time Constant	~10 ms
Operating Temperature	-40 to +85 °C
Storage Temperature	-40 to +110 °C
Offset V max	(+V) – 0.1 V ²
Offset V min	0.1 V ²

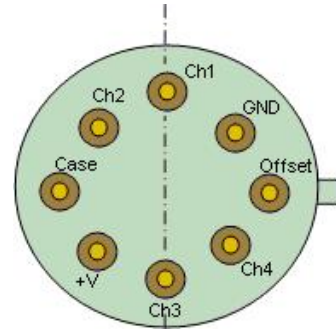
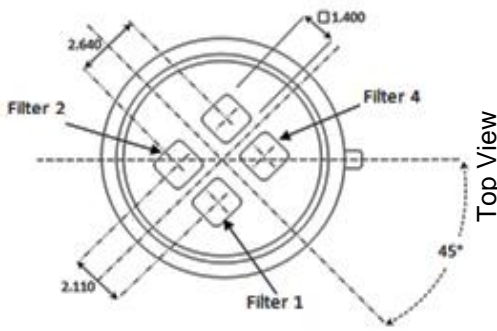
¹10 Hz, 500 K, room temperature, without window and optics
²With reference to GND

Frequency Characteristics



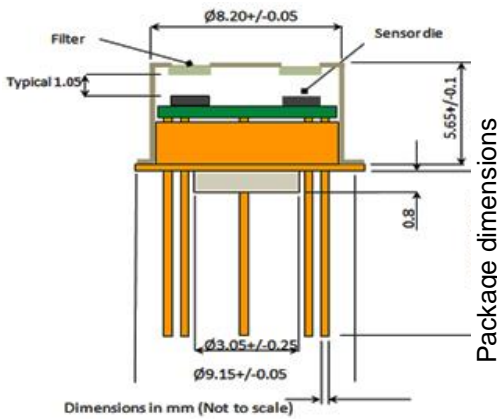
Please note: the information contained in this document is subject to change without further notification. Pyreos reserves the right to alter the performance and any resulting specification. Pyreos may choose not to supply any engineering sample devices as a commercial product. No responsibility is accepted for any consequential loss incurred. Pyreos Ltd, SMC, Alexander Crum Brown Road, Edinburgh EH9 3FF, UK. Tel: +441316507009, www.pyreos.com

Package Information

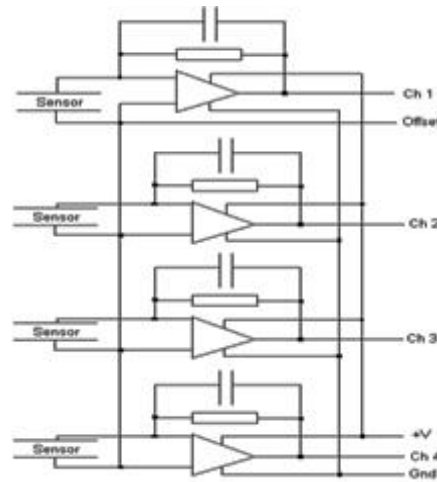


Bottom View

Filter window size



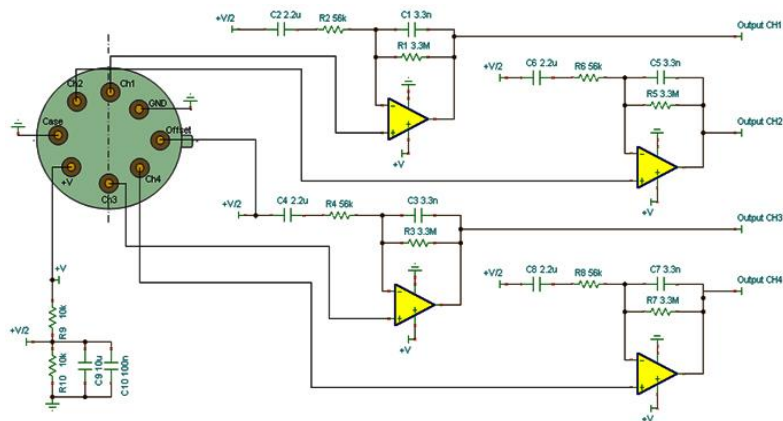
Package dimensions



Internal Schematic

Note: Ensure that the sensor base is not in contact with the PCB in order to avoid shorts.

Recommended Circuit Diagram



Please note: the information contained in this document is subject to change without further notification. Pyreos reserves the right to alter the performance and any resulting specification. Pyreos may choose not to supply any engineering sample devices as a commercial product. No responsibility is accepted for any consequential loss incurred. Pyreos Ltd, SMC, Alexander Crum Brown Road, Edinburgh EH9 3FF, UK. Tel: +441316507009, www.pyreos.com

Recommended Circuit Diagram

Pyreos has a range of standard filters available.

Part number	Channel 1 CWL μm / (HPB nm)	Channel 2 CWL μm / (HPB nm)	Channel 3 CWL μm / (HPB nm)	Channel 4 CWL μm / (HPB nm)	Use
PY0235	4.26 / (180)	4.64 / (180)	3.30 / (160)	3.91 / (90)	Exhaust, environmental
PY2213	3.90 / (200)	3.90 / (200)	4.26 / (180)	8.416 / (180)	Anaesthesia (1)
PY2435	8.75 / (200)	9.62 / (230)	12.25 / (210)	8.55 / (180)	Anaesthesia (2)

Note: An additional window may be required to provide high wavelength blocking.

Order Information

Please quote PY-I-QUAD–TO39(7+1) and your desired filter combination or quote specific part number PYXXXX as per filter table. Contact: sales@pyreos.com

Please note: the information contained in this document is subject to change without further notification. Pyreos reserves the right to alter the performance and any resulting specification. Pyreos may choose not to supply any engineering sample devices as a commercial product. No responsibility is accepted for any consequential loss incurred. Pyreos Ltd, SMC, Alexander Crum Brown Road, Edinburgh EH9 3FF, UK. Tel: +441316507009, www.pyreos.com

Mouser Electronics

Authorized Distributor

Click to View Pricing, Inventory, Delivery & Lifecycle Information:

[Pyreos:](#)

[PY2435](#) [PY2213](#) [PY0235](#)