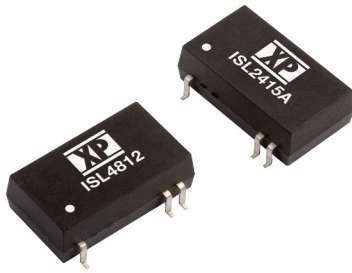


# 1.5 Watts

## ISL Series



- Single & Dual Regulated Outputs
- 4:1 Input Range
- SMD Package
- Industry Standard Pinout
- 1500 VDC Isolation
- Short Circuit Protection
- 3 Year Warranty

### Specification

#### Input

- Input Voltage Range • 24 V (9-36 VDC)  
48 V (18-72 VDC)
- Input Reverse Voltage Protection • None
- Input Surge • 24 V: 40 VDC for 100 ms  
48 V: 80 VDC for 100 ms

#### Output

- Output Voltage • See table
- Minimum Load • 10%<sup>(1)</sup>
- Line Regulation • ±0.2% typical
- Load Regulation • ±0.5% typical
- Setpoint Accuracy • ±1%/±3% typical, positive/negative output
- Ripple & Noise • 100 mV pk-pk 20 MHz bandwidth
- Temperature Coefficient • 0.03%/°C
- Short Circuit Protection • Continuous, automatic recovery

#### General

- Efficiency • See table
- Isolation Voltage • 1500 VDC
- Isolation Resistance • 10<sup>9</sup> Ω
- Isolation Capacitance • 1000 pF typical
- Switching Frequency • 550 kHz typical at nominal input, full load
- MTBF • >1 Mhrs to MIL-HDBK-217F at 25 °C, GB
- Recommended Solder Profile • IPC/JEDEC J-STD-020D.1

#### Environmental

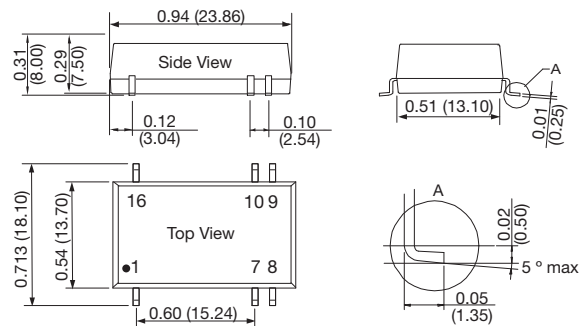
- Operating Temperature • -40 °C to +85 °C, derate from 100% load at 70 °C to 0% load at 100 °C
- Storage Temperature • -55 °C to +125 °C
- Case Temperature • 100 °C max
- Cooling • Convection-cooled
- Lead Temperature • 240 °C, 0.06 in (1.5 mm) from case, 10 s

#### Notes

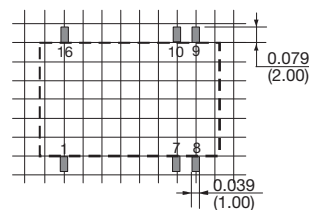
1. Operation at no load will not damage unit but it may not meet all specifications.

Input Voltage	Output Voltage	Output Current	Efficiency (typ)	Model Number <sup>(6)</sup>
24 VDC	15.0 V	100 mA	80%	ISL2415A

### Mechanical Details



Recommended footprint  
Top view grid: 0.1 x 0.1 in (2.54 x 2.54 mm)



Pin	Single	Dual
1	-Vin	-Vin
7	N.C.	N.C.
8	N.C.	0 V
9	+Vo	+Vo
10	0 V	-Vo
16	+Vin	+Vin

N.C. Not connected

#### Notes

1. All dimensions in inches (mm)
2. Tolerance: ±0.010 (±0.25)
3. Weight: 0.011 lbs (5.2 g)
4. Pin tolerance: ±0.004 (±0.10 mm)
5. For optional tape & reel option add suffix -TR to the end of the p/n. Reel quantity = 200

# Mouser Electronics

Authorized Distributor

Click to View Pricing, Inventory, Delivery & Lifecycle Information:

## [XP Power:](#)

[ISL2405A](#) [ISL2415A-TR](#) [ISL2403A](#) [ISL2409A](#) [ISL2412A](#) [ISL4805A-TR](#) [ISL2415A](#) [ISL2415-TR](#) [ISL2405-TR](#)  
[ISL4805A](#) [ISL2412-TR](#) [ISL2415](#) [ISL2412](#) [ISL2412A-TR](#) [ISL2405](#) [ISL2409A-TR](#) [ISL2405A-TR](#) [ISL2403A-TR](#)