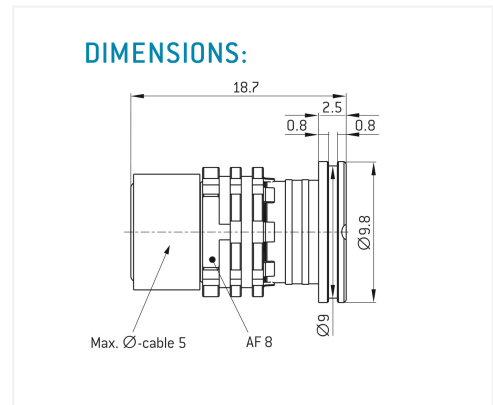
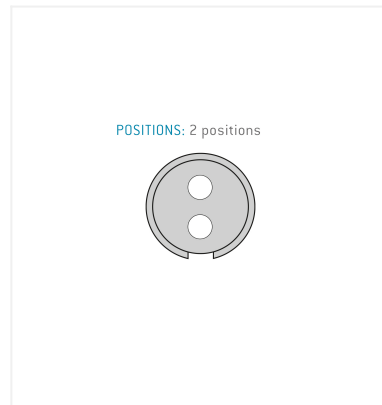
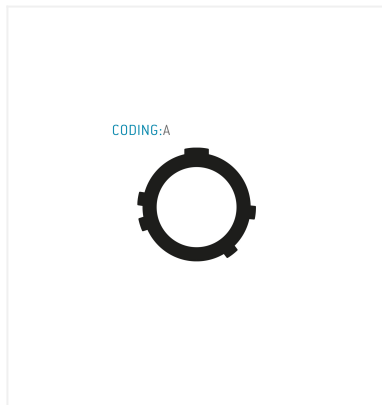
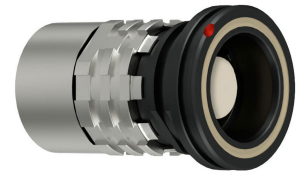


**General information**

Part number	K1CWAM-P02WCE0-0000
Termination	solder
Size	00
Locking principle	break
Keying	a_key_amc
Cable Diameter	cable_amchd_C
Cable outlet	overmolding



**Contact insert description**

Number of contacts	2
Contact type	sockets
Contact diameter	05mm
Insulator material	peek
Wire cross section	24_awg
Termination	solder

reverse\_gender\_on\_request

**Technical information**

Nominal current single contact	03_a	iec_60512_5_2
Nominal current insert	3 A	vde_0298_4
Test voltage	12_kv_dc	eia_364_20f

safety\_text

**Mechanical and environmental data**

Degree of protection*	ipsk8_ip6k9k
Operating temperature	51_125_c
Mating cycles	5000

mated

**Material and surface treatments**

Housing	ruthenium
Contact	cu_alloy_gold

safety\_text\_2  
ul\_text  
illustrative\_text

# Mouser Electronics

Authorized Distributor

Click to View Pricing, Inventory, Delivery & Lifecycle Information:

ODU:

[K1CWAM-P02WCE0-0000](#)