

### Starting/running torque 8 mNm 0.42 Watts Part number 82330583



- Constant speed dependent on supply frequency
- Direction of rotation controlled by long-life mechanical anti-return
- Permanent magnet rotor with 5 pole pairs
- Toughened shaft turning on two moulded polyamide bearings
- UL, CSA (class B)

#### Part numbers

	Type	Type	Direction of rotation	Voltage / Frequency
82330583	0.42 Watts	82 330 5	Anti-clockwise	230 V - 50 Hz

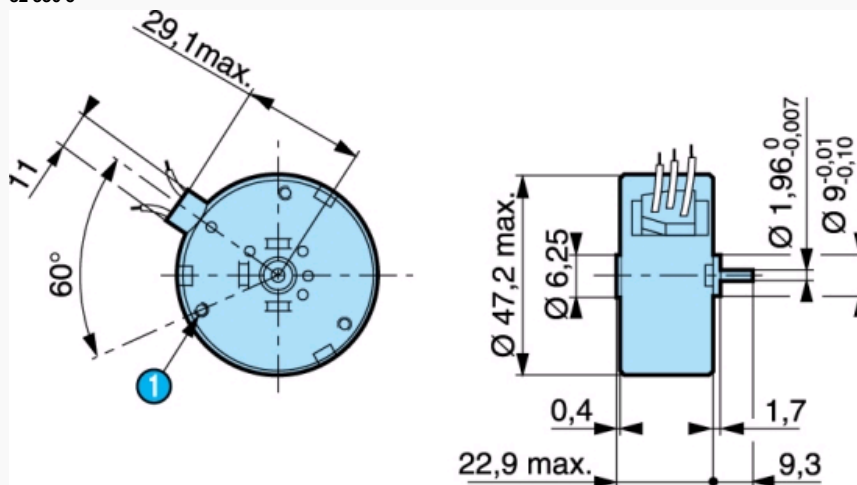
#### Specifications

##### General characteristics

Base speed of motor (50 Hz) (rpm)	600
Absorbed power (W)	3,5
Usable Power (W)	0,42
Starting/running torque (mNm)	8
Stall torque (mNm)	12
Temperature rise (°C)	55
Ambient temperature (°C)	-5 → +60
Maximum inertial load that can be moved (g.cm <sup>2</sup> )	11
Number of offload starts 10 <sup>6</sup>	10
Max. reverse rotation angle (°)	72
Insulation resistance (MΩ)	75 x 10 <sup>3</sup>
Breakdown voltage (V-50 Hz)	1800 - 1 s
Weight (g)	160
Wires length mm (approximately)	250
Protection rating	IP30

#### Dimensions (mm)

82 330 5



N°	Legend
1	3 fixing holes Ø M2 at 120 ° on r=19.5 max. depth 3.5 mm

#### Product adaptations



- Different voltages available
- Pinion on output shaft
- Special cable lengths
- Special connectors

# Mouser Electronics

Authorized Distributor

Click to View Pricing, Inventory, Delivery & Lifecycle Information:

[Crouzet:](#)

[82330583](#)