

FEATURES

- ※2.0mm height
- ※Double-side recoil
- ※Stroke 1.5mm

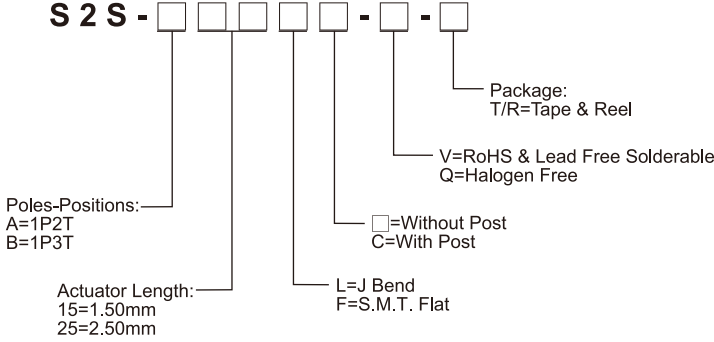
APPLICATION

- ※Remote control
- ※Consumer electronics
- ※Instrumentations

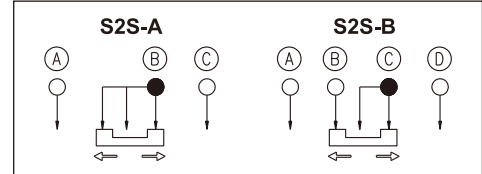
SPECIFICATION

Contact Rating	300mA, 4V DC
Contact Resistance	70mΩ max.
Insulation Resistance	100MΩ min. 100V DC
Dielectric Strength	100V AC/1 minute
Operating Force	100±50gf
Travel	1.5mm
Operating Life	50,000 cycles
Operating Temp.	-30°C ~ +80°C
Storage Temp.	-40°C ~ +90°C

HOW TO ORDER



CIRCUIT

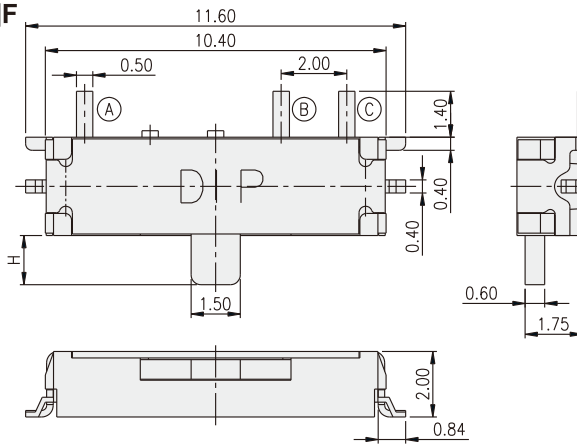


PACKAGE

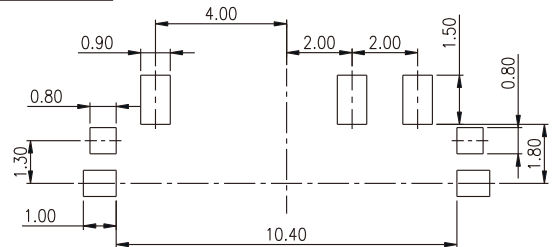
<Tape & Reel>
2000 pcs

SLIDE SWITCH

S2S-A [] [] [] F

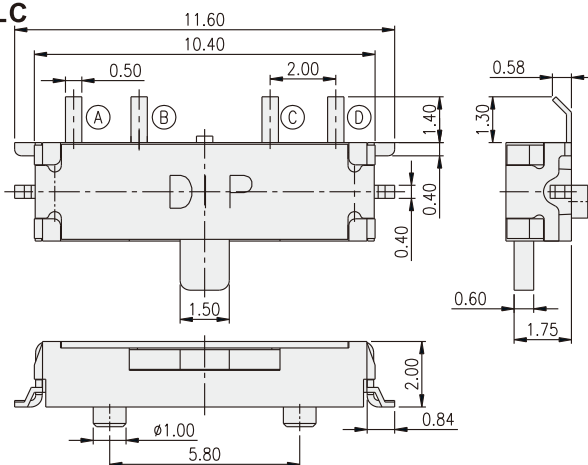


PART NO.	H
S2S-A15F	1.50
S2S-A25F	2.50

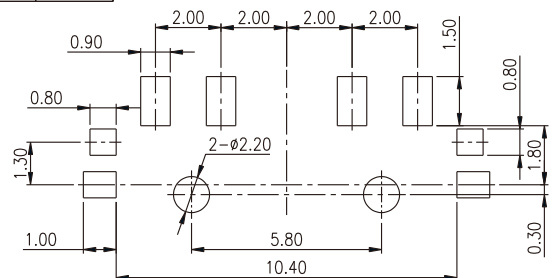


P.C.B. LAYOUT

S2S-B [] [] [] LC



PART NO.	H
S2S-B15LC	1.50
S2S-B25LC	2.50



P.C.B. LAYOUT

Mouser Electronics

Authorized Distributor

Click to View Pricing, Inventory, Delivery & Lifecycle Information:

[Diptronics:](#)

[S2S-A15FC-V-T/R](#)