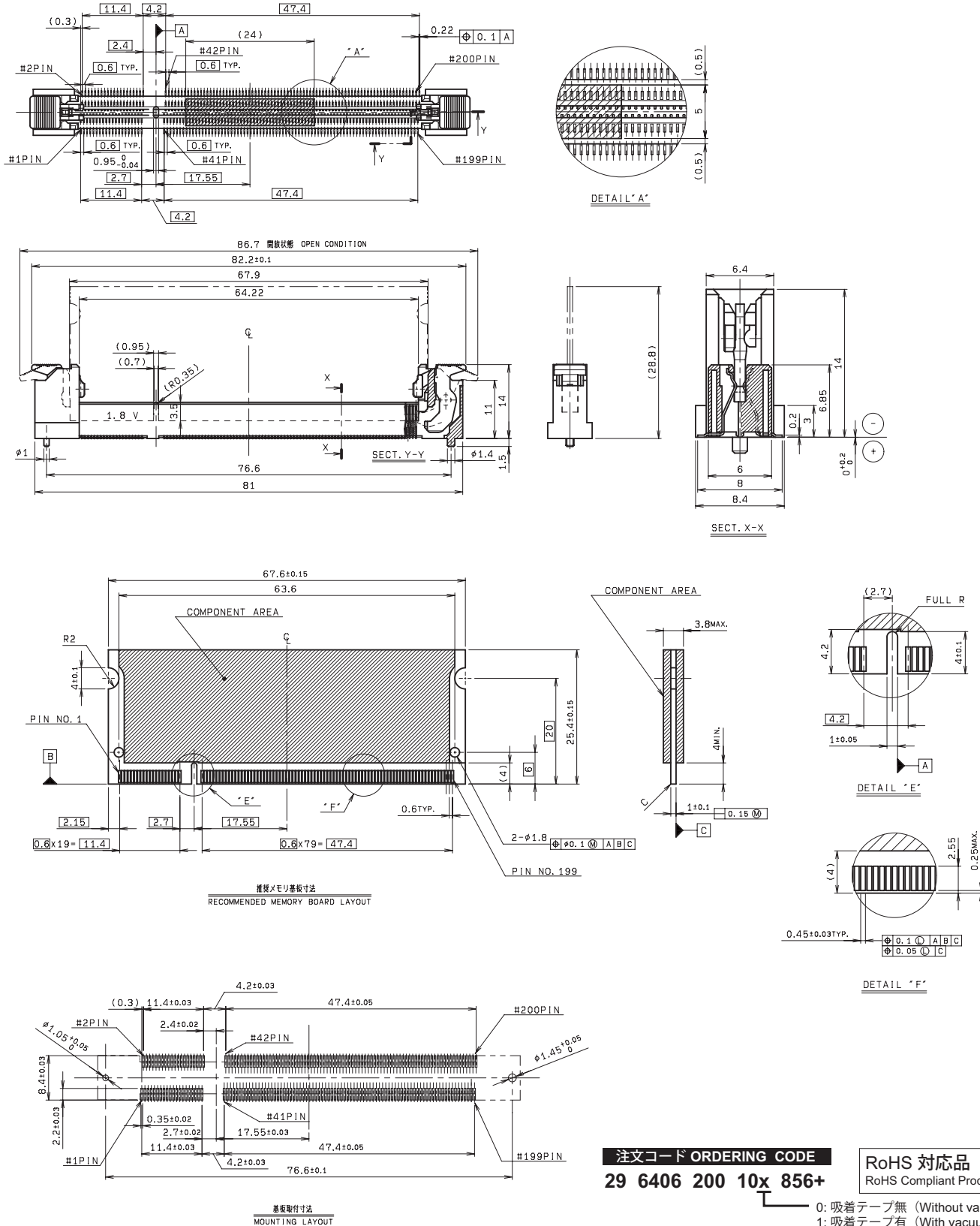


0.6mm Pitch  
SERIES

# 6406

DDR S.O.DIMM ST SMT 200極  
DDR S.O.DIMM Vertical SMT 200 Positions

●1.8V



注文コード ORDERING CODE  
29 6406 200 10x 856+

RoHS 対応品  
RoHS Compliant Product

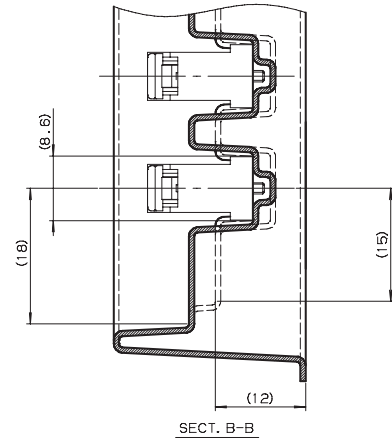
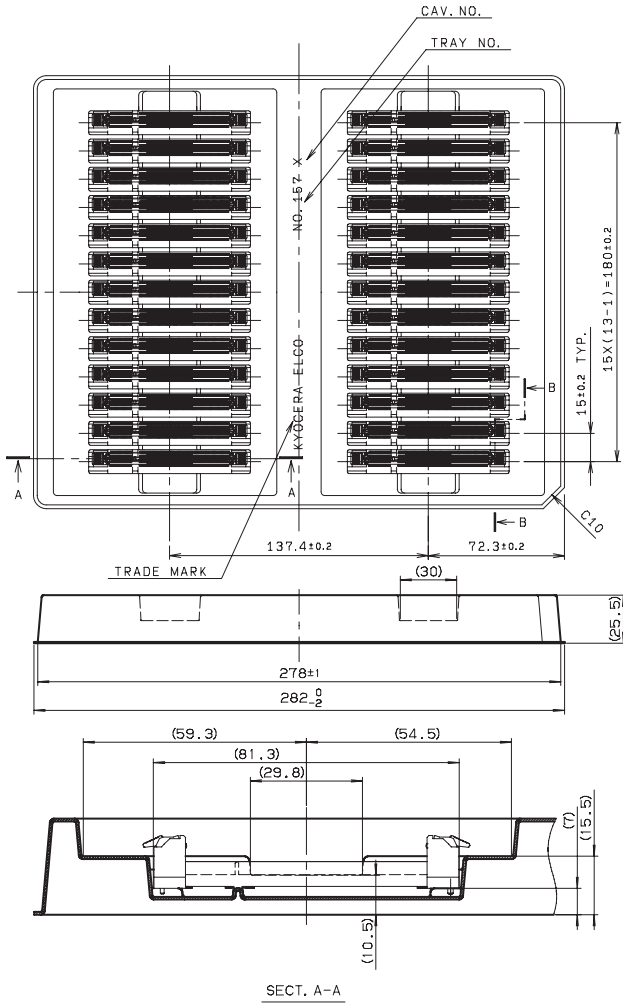
0: 吸着テープ無 (Without vacuum tape)  
1: 吸着テープ有 (With vacuum tape)



0.6mm Pitch  
SERIES

# 6406

DDR S.O.DIMM ST SMT 200極  
DDR S.O.DIMM Vertical SMT 200 Positions



注文コード ORDERING CODE  
29 6406 200 x0x 856+

RoHS 対応品  
RoHS Compliant Product

- 0: 吸着テープ無 (Without vacuum tape)
- 1: 吸着テープ有 (With vacuum tape)
- 0: 2.5V
- 1: 1.8V

梱包数量：26個/トレイ  
PACKING QUANTITY：26/Tray

# Mouser Electronics

Authorized Distributor

Click to View Pricing, Inventory, Delivery & Lifecycle Information:

[Kyocera:](#)

[296406200001856+](#) [296406200101856+](#) [296406200000856+](#) [296406200100856+](#) [296409200202856+](#)