

QUICKSHEET

acnRANGE

The easiest way from A to B



**MA:DE IN
GERMANY**

aconno™

Preamble

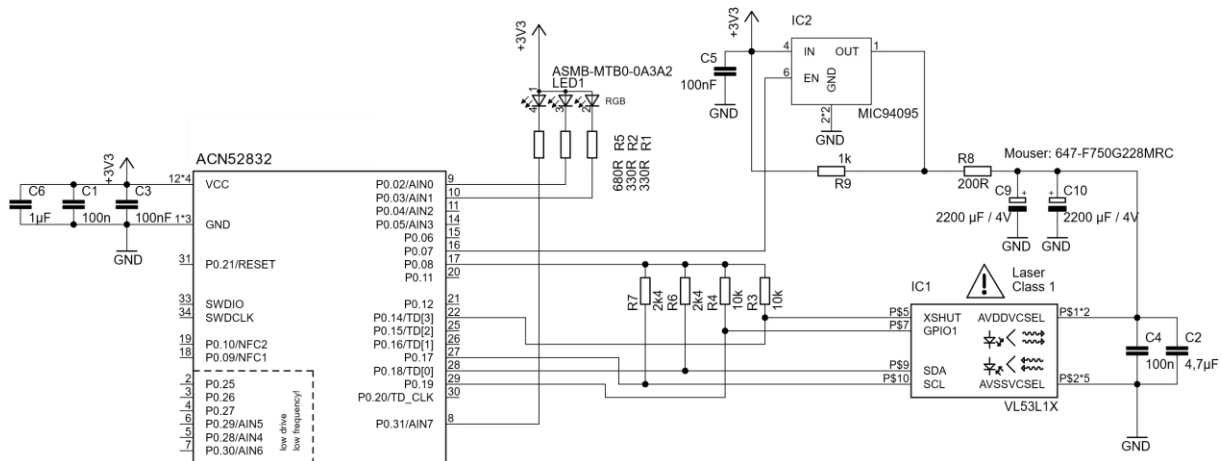
This document is a preface of a real datasheet and is meant to give you enough data for a quick start with this aconno product.

Please take all necessary data (e.g. temperature or voltage ranges) of the used components from the linked datasheets.

Environmental specifications

- ROHS conform
- Rilsan case with IP65 equivalent
- Temperature range -40°C to +85°C
- CR2450 battery powered

Schematic



Components

BLE module: [ACN52832 \(https://aconno.de/products/acn52832\)](https://aconno.de/products/acn52832)

Time-of-Flight sensor: [VL53L1X \(https://aconno.de/VL53L1X\)](https://aconno.de/VL53L1X)

LED: [RGB \(https://aconno.de/RGB\)](https://aconno.de/RGB)



Mouser Electronics

Authorized Distributor

Click to View Pricing, Inventory, Delivery & Lifecycle Information:

[aconno:](#)

[acnRANGE](#)