

# HVI

## 1/4" x 1-1/4" In-line water resistant fuse holder



### Product features

- For 1/4" x 1-1/4" (6.3 mm x 32 mm) fuses
- IP54 rating for exposed locations
- Accepts #16 to #12 AWG copper wire
- Copper crimp lead material
- High temperature, flame retardant, phenolic meets UL 94 HB
- Crimp or 1/4" quick connect terminals
- In-line connection
- Recommended crimp tools:
  - Thomas & Betts – ERG4002
  - Channellock No. 909
  - Thomas & Betts WT-112M

### Ordering codes

Specify the packaging code prefix before the part number

### Packaging prefixes

- Blank (10 parts in a carton)
- BK- (20 parts in a carton)

### Agency information

- UL Recognized: File number: E14853, (HVI-R)

### General specifications

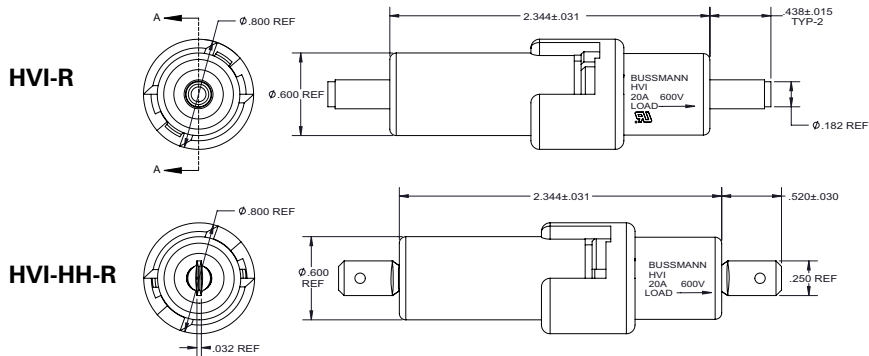
- Temperature rating (RTI): +150 °C
- IP54 rating for exposed locations

### Product specifications

| Part number | Voltage rating (V) | Ampere rating (A) | Body material | Terminal           |
|-------------|--------------------|-------------------|---------------|--------------------|
| HVI-R       | 600                | 20                | Phenolic      | Crimp              |
| HVI-HH-R    | 600                | 20                | Phenolic      | 1/4" quick connect |

### Dimensions-Inches

Drawing not to scale



Life Support Policy: Eaton does not authorize the use of any of its products for use in life support devices or systems without the express written approval of an officer of the Company. Life support systems are devices which support or sustain life, and whose failure to perform, when properly used in accordance with instructions for use provided in the labeling, can be reasonably expected to result in significant injury to the user.

Eaton reserves the right, without notice, to change design or construction of any products and to discontinue or limit distribution of any products. Eaton also reserves the right to change or update, without notice, any technical information contained in this bulletin.

**Eaton**  
Electronics Division  
1000 Eaton Boulevard  
Cleveland, OH 44122  
United States  
Eaton.com/electronics

© 2020 Eaton  
All Rights Reserved  
Printed in USA  
Publication No. 11124 BU-MC20106  
June 2020

Eaton is a registered trademark.

All other trademarks are property of their respective owners.

Follow us on social media to get the latest product and support information.



# Mouser Electronics

Authorized Distributor

Click to View Pricing, Inventory, Delivery & Lifecycle Information:

Eaton:

[BK-HVI-HH-R](#) [BK-HVI-R](#)