



Surge Protection Made Simple™

Photovoltaic Applications

The Only, True UL 1449 3rd Edition Recognized SPD to Protect Your PV Investment from Damaging Surges and Overvoltages

- Modular DIN-rail design with color-coding & rejection feature makes it easy to identify, install & maintain.
- Built-in overcurrent protection eliminates the need for any additional fuse installation and wiring.
- easyID™ Visual indication and optional remote contact signaling make status monitoring simple.
- Patented, fast-acting Short-Circuit Interrupting (SCI) technology responds efficiently to overvoltage conditions.



The Need for Surge Protection

The unique nature of PV installations make them vulnerable to overvoltages and surges from lightning strikes and static discharges.

These surges need to be intercepted before they take down the entire system by damaging the PV arrays, charge controller/inverter and combiner boxes.

In any PV system, it is vital that surge suppressor elements that are subject to wear, are easily monitored for performance.

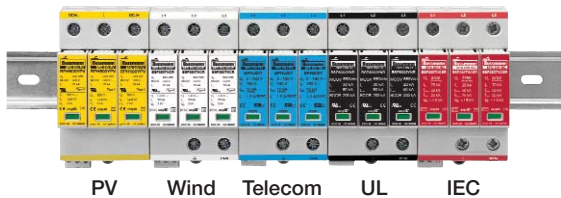
The Cooper Bussmann PV Surge Suppression systems provide standard easyID™ visual indication and remote contact signaling to keep system maintainers apprised of the protection level being delivered.

Safe and Simple

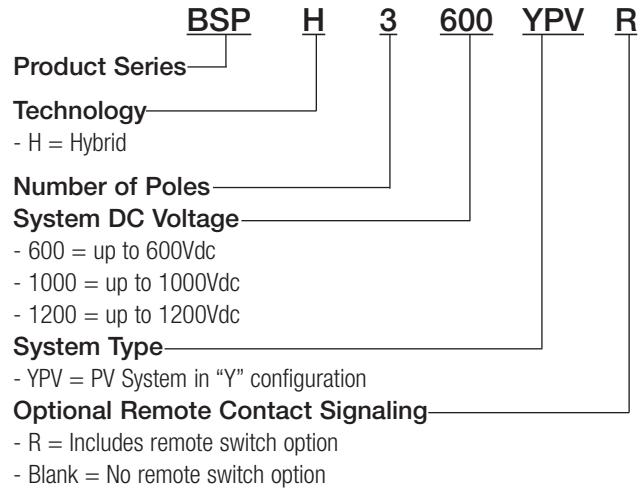
- IP20 Finger-safe construction and suppressor rejection feature make it easy to know the suppressor system is installed and properly operating to protect your PV system investment.
- Simply specify the system voltage and whether the remote contact signaling is desired.
- Five year limited warranty.*

Complete Line of Surge Protection Solutions

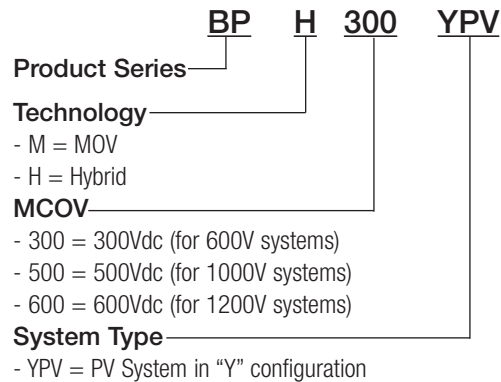
Cooper Bussmann offers surge protection products for UL, IEC, wind power and telecom applications.



Base & Module Number System

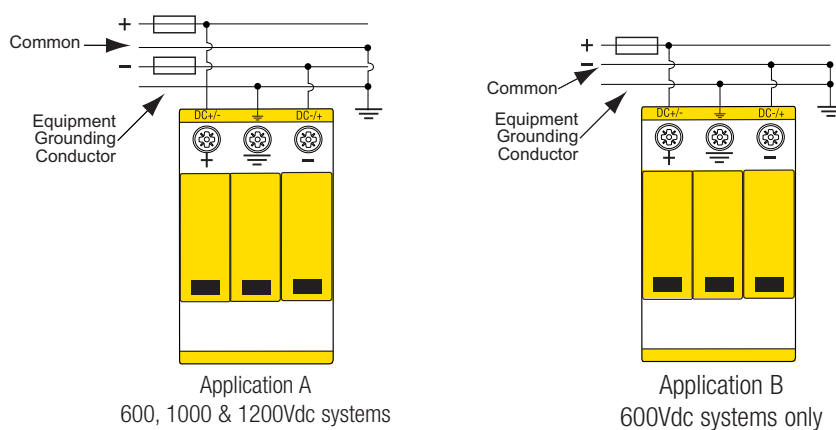


Replacement Module Number System



Ordering Information				
Maximum continuous operating voltage for PV applications [U _{CPV}]		600Vdc	1000Vdc	1200Vdc
Catalog Numbers: (Base + Modules)	Without Remote Signaling	BSPH3600YPV	BSPH31000YPV	BSPH31200YPV
	With Remote Signaling	BSPH3600YPVR	BSPH31000YPVR	BSPH31200YPVR
Replacement Modules:	Outer (2)	BPH300YPV	BPH500YPV	BPH600YPV
	Center (1)	BPM300YPV	BPM500YPV	BPM600YPV

Typical Application Schematics



* See Cooper Bussmann SPD Limited Warranty Statement (3A1502) for details at www.cooperbussmann.com/surge.

Mouser Electronics

Authorized Distributor

Click to View Pricing, Inventory, Delivery & Lifecycle Information:

[Eaton:](#)

[BPH300YPV](#) [BPH500YPV](#) [BPM300YPV](#) [BPM500YPV](#) [BPM600YPV](#)