

# BT-GP SERIES

## General Purpose High Voltage Bench-top Power System

### PRELIMINARY DATASHEET

The compact, high-voltage BT-GP Series of general purpose bench-top high voltage power systems offers adjustable output voltage, digital voltage reading, highly stable output, and low ripple. BT-GP Series units are available in AC Input or DC input, positive or negative polarity, and with the option of one or two output connectors.

Applications for BT-GP Series high-voltage power systems include electrostatic, air purification, ATE, test equipment, process fluid cleaning, hi pot testing, and laboratory research.



- Available from 0 to 1kV through 0 to 30kV
- Up to 30W of output power
- 3.5 digit red LED output voltage display
- Bench-top configuration
- Single positive or negative output

- Ruggedized aluminum enclosure
- Enters constant current mode when fault occurs
- Highly portable with built in carrying handle (AC model)
- Protection against overload, short circuit, arc, and reverse polarity

PARAMETER	CONDITIONS	MODELS								UNITS
<b>INPUT</b>		<b>AC INPUT</b>				<b>DC INPUT</b>				
Voltage Range	Full Power	90-260 VAC				22-26 VDC				-
<b>OUTPUT</b>		<b>AC INPUT</b>				<b>DC INPUT</b>				
Voltage Range	Nominal Input	0 to 1,000	0 to 2,000	0 to 4,000	0 to 6,000	0 to 1,000	0 to 2,000	0 to 4,000	0 to 6,000	VDC
Power	Nominal Input, Max Eout	0 to 30				0 to 30				Watts
Current	Iout Entire Output Voltage Range	30	15	7.5	5	30	15	7.5	5	mA
Voltage Range	Nominal Input	0 to 10,000		0 to 20,000		0 to 30,000		0 to 30,000		VDC
Power	Nominal Input, Max Eout	0 to 30				0 to 30				Watts
Current	Iout Entire Output Voltage Range	3.0		1.5		1.0		1.0		mA
Ripple	Full Load, Max Eout	<0.01				<0.3				%V p-p
Line Regulation	Max-Min Input, Max Eout, Full Load	N/A				<0.3%				VDC
Load Regulation	No Load to Full Load, Max Eout	<0.5%				<0.01%				VDC
Stability	30 Min. warmup, per 8 hr/ per day	<0.05%				<0.1%				VDC
<b>PROGRAMMING &amp; CONTROLS</b>		<b>ALL TYPES</b>								
HV ON/OFF Controls		Front panel switch								-
<b>ENVIRONMENTAL</b>		<b>AC INPUT</b>				<b>DC INPUT</b>				
Coefficient	Over the Specified Temperature	100				200				PPM/°C
Storage Temperature	Non-Operating, Case Temp.	-20 to +60								°C
Operating Temperature	Full Load, Max Eout, Case Temp.	0 to +40								°C
Humidity	All Conditions, Standard Package	0 to 90% non-condensing								-

Specifications subject to change without notice.



Making High Voltage Easier!®

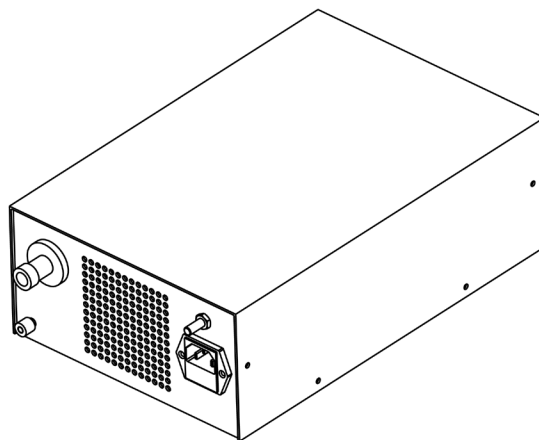
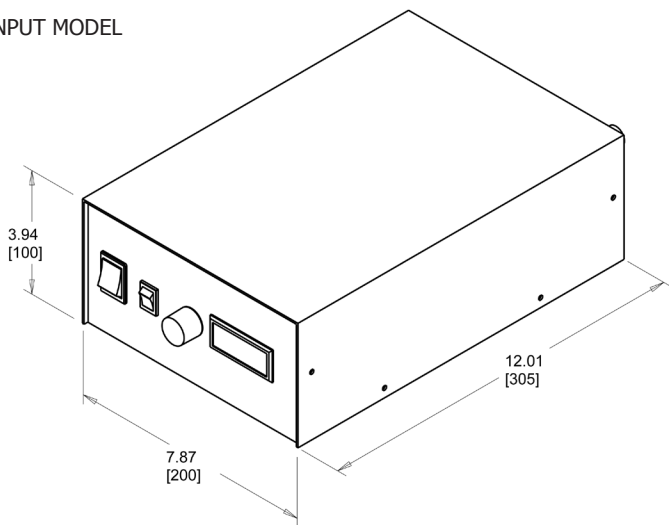
Higher Service, Higher Performance, Higher Reliability

©2011, UltraVolt Inc. All rights reserved.

# BT-GP SERIES

## General Purpose High Voltage Bench-top Power System

AC INPUT MODEL



### CONSTRUCTION

Folded aluminum enclosure with blue paint finish

### SIZE

Dimensions:

AC Input: 12.01 L x 7.99 W x 4.33 H in (305.0 L x 203.0 W x 110.0 H mm)

DC Input: 11.81 L x 6.30 W x 3.94 H in (300.0 L x 160.0 W x 100.0 H mm)

Weight:

AC Input: 6.17lbs (2.8kg)

DC Input: 7.94lbs (3.6kg)

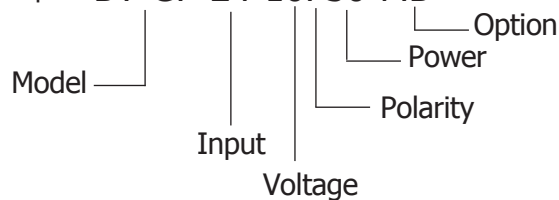
### NOTES

For the outline drawing on the DC Input model, or for additional outputs or power levels, please contact the factory.

#### ORDERING INFORMATION

Model	Series name	BT-GP
Input	90-264VAC input	-AC
	24VDC input	-24
Voltage	0 to 1kVDC output	-1
	0 to 2kVDC output	-2
	0 to 4kVDC output	-4
	0 to 6kVDC output	-6
	0 to 10kVDC output	-10
	0 to 20kVDC output	-20
	0 to 30kVDC output	-30
Polarity	Positive Output	P
	Negative Output	N
Power	Watts Output	30
Option	Mounting bars (AC model)	-MB
	Mounting bars (DC model)	(Standard)
	Remote HV ON/OFF (DC model)	-REM

Example: BT-GP-24-10P30-MB



\*The BT-GP Series is not available in all territories. Please contact the factory for details concerning sales in your area.

Rev. B 4/13



Making High Voltage Easier!®

1800 Ocean Avenue, Ronkonkoma, NY 11779  
 Phone: 1-631-471-4444 Fax: 1-631-471-4696 www.ultravolt.com

# Mouser Electronics

Authorized Distributor

Click to View Pricing, Inventory, Delivery & Lifecycle Information:

## Advanced Energy:

[BT-GP-AC-10N30](#) [BT-GP-24-20N30-REM](#) [BT-GP-24-1P30-REM](#) [BT-GP-AC-30P30-MB](#) [BT-GP-24-10N30](#) [BT-GP-AC-4N30-MB](#) [BT-GP-AC-30N30](#) [BT-GP-AC-6P30-MB](#) [BT-GP-AC-20N30-MB](#) [BT-GP-24-1N30-REM](#) [BT-GP-24-20P30-REM](#) [BT-GP-24-4P30-REM](#) [BT-GP-24-6P30-REM](#) [BT-GP-AC-30N30-MB](#) [BT-GP-AC-6N30](#) [BT-GP-AC-2P30](#) [BT-GP-24-1P30](#) [BT-GP-AC-10P30](#) [BT-GP-24-10P30-REM](#) [BT-GP-AC-10N30-MB](#) [BT-GP-24-2N30-REM](#) [BT-GP-24-2N30](#) [BT-GP-24-4N30-REM](#) [BT-GP-AC-4N30](#) [BT-GP-24-4N30](#) [BT-GP-AC-1N30](#) [BT-GP-AC-20P30](#) [BT-GP-24-10P30](#) [BT-GP-24-30P30](#) [BT-GP-24-20N30](#) [BT-GP-24-20P30](#) [BT-GP-AC-6P30](#) [BT-GP-AC-20N30](#) [BT-GP-AC-1P30-MB](#) [BT-GP-AC-6N30-MB](#) [BT-GP-AC-20P30-MB](#) [BT-GP-AC-1P30](#) [BT-GP-24-6N30](#) [BT-GP-AC-30P30](#) [BT-GP-AC-10P30-MB](#) [BT-GP-24-6N30-REM](#) [BT-GP-24-2P30](#) [BT-GP-24-30N30](#) [BT-GP-AC-4P30](#) [BT-GP-24-2P30-REM](#) [BT-GP-24-10N30-REM](#) [BT-GP-24-4P30](#) [BT-GP-AC-2P30-MB](#) [BT-GP-24-30N30-REM](#) [BT-GP-24-6P30](#) [BT-GP-AC-2N30-MB](#) [BT-GP-AC-1N30-MB](#) [BT-GP-AC-2N30](#) [BT-GP-24-30P30-REM](#) [BT-GP-24-1N30](#) [BT-GP-AC-4P30-MB](#)