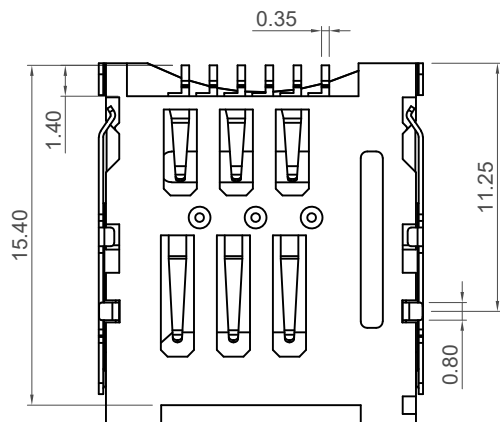
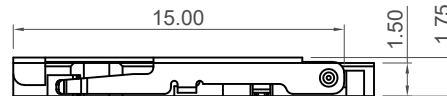
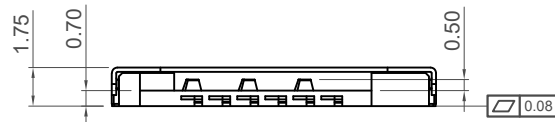
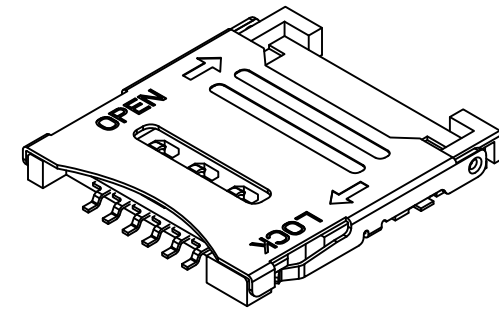
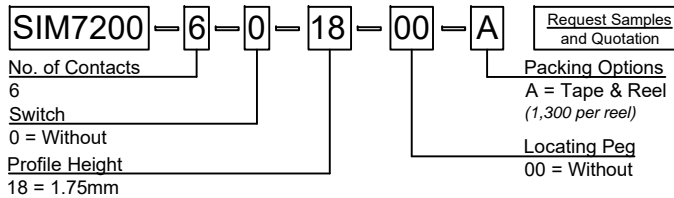


Recommended PCB Layout
 (Viewed from Component Side - Tolerance: ±0.05mm)
 ▨ Solder Area ▩ Keep Out Area □ Component Outline



Ordering Grid



Specifications

Material

Plastic Housing: LCP, UL94V-0, Black
 Contact Terminal: Phosphor Bronze
 Metallic Shell: Stainless Steel

Plating

Contact Terminal plating:
 Under-plating: 30µ" min. Nickel
 Contact Area: 1µ" min. Gold
 Soldering Area: 50µ" min. Tin
 Metallic Shell plating:
 Under-plating: 30µ" Nickel
 Soldering Area: 30µ" Nickel

Electrical

Voltage rating: 30V max.
 Current Rating: 1.0 Amp max.
 Contact Resistance: 100 mΩ max.
 Insulation Resistance: 1000 MΩ min.
 Dielectric Withstand Voltage: 500 V AC

Mechanical & Environmental

Operating Temperature: -40°C to +85°C
 Durability : 5,000 cycles

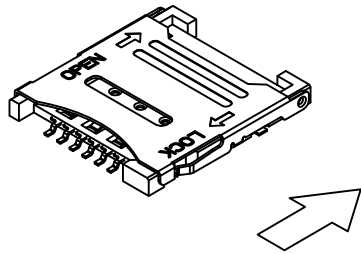
Part Number		Product Description	
SIM7200		Micro SIM Card Connector	
Drawing Date		Hinged Type, 6 Pin, SMT, 1.75mm Profile	
8th September 2016			
By	CC	Tolerances (Except as Noted)	Units:
Detail	Drawing Release	Length	Metric (mm)
Revision	A2	X. ± 0.25	
Date	22/06/22	X.X ± 0.20	
		X.XX ± 0.15	± 3°
		This drawing is confidential and copyright of Global Connector Technology, Ltd (GCT). This drawing must not be copied or disclosed without written consent. E & OE	



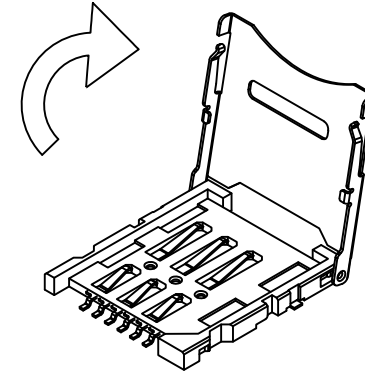
www.gct.co

Not to Scale	Drawn By AJO	Sheet No. 1/4
--------------	--------------	---------------

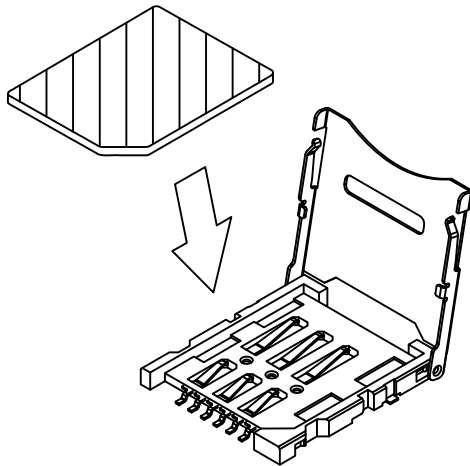
1 Slide metal lid from 'LOCK' position to 'OPEN' position



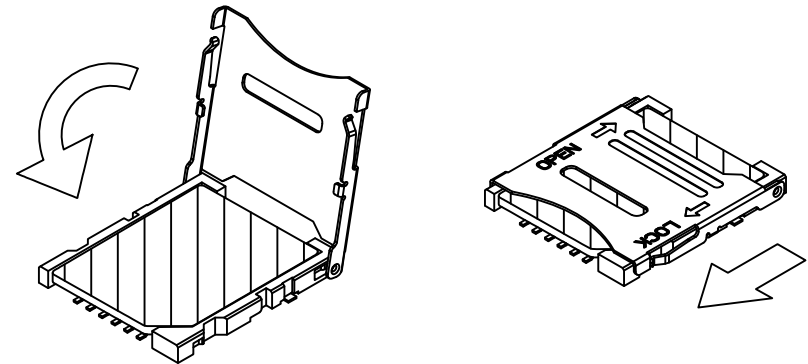
2 Open metal lid to allow Micro SIM card to be inserted


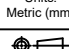



3 Place Micro SIM card against contacts, chip face down



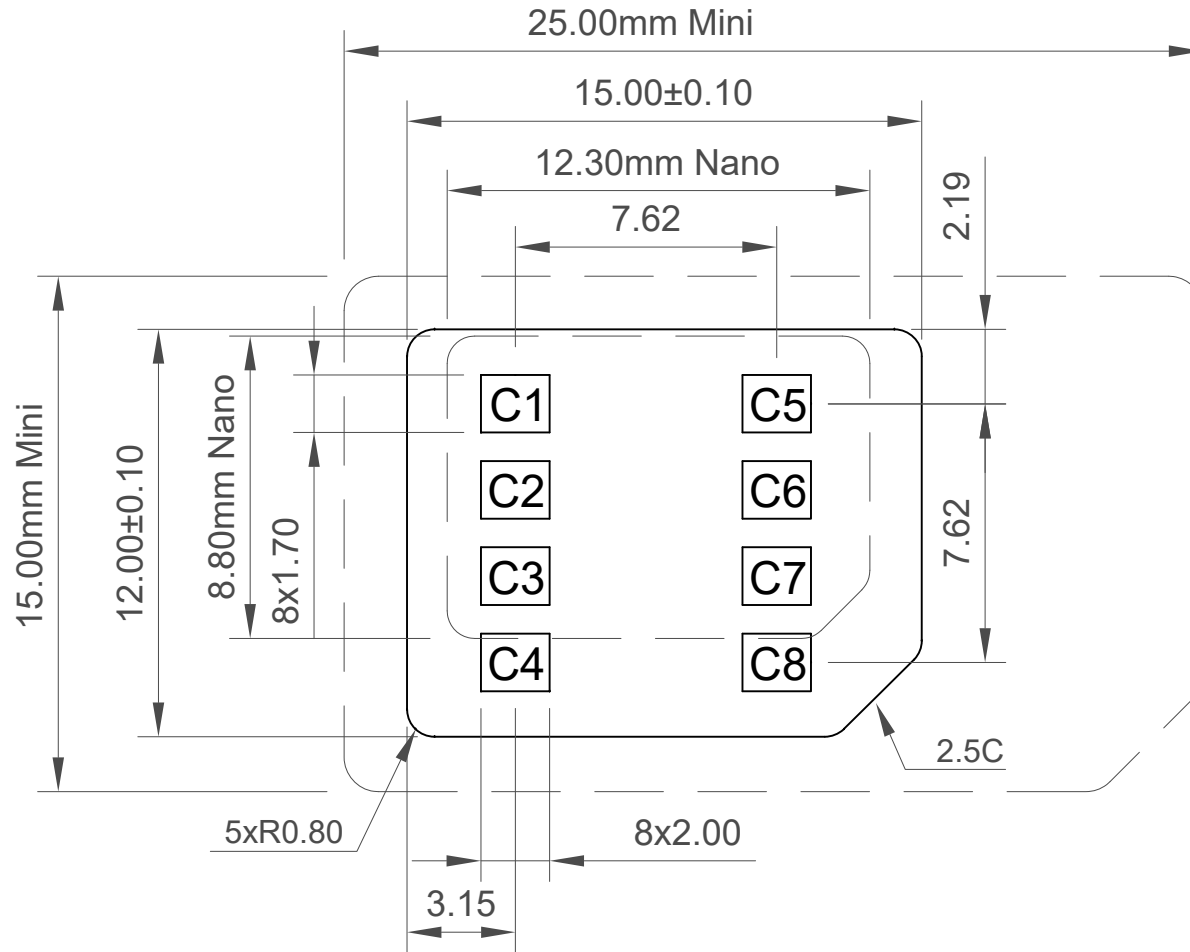
4 Close metal lid and slide back to 'LOCK' position





Part Number		Product Description		 www.gct.co
SIM7200		Micro SIM Card Connector		
Drawing Date		Hinged Type, 6 Pin, SMT, 1.75mm Profile		
8th September 2016				
By	CC	Tolerances (Except as Noted)		Units:
Detail	Drawing Release	Length	Angle	Metric (mm)
Revision	A2	X. ± 0.25		 <small>3rd Angle Projection</small>
Date	22/06/22	X.X ± 0.20	± 3°	
		X.XX ± 0.15		
<small>This drawing is confidential and copyright of Global Connector Technology, Ltd (GCT). This drawing must not be copied or disclosed without written consent. E & OE</small>				<small>Not to Scale</small>
		<small>Drawn By</small> AJO		<small>Sheet No.</small> 2/4

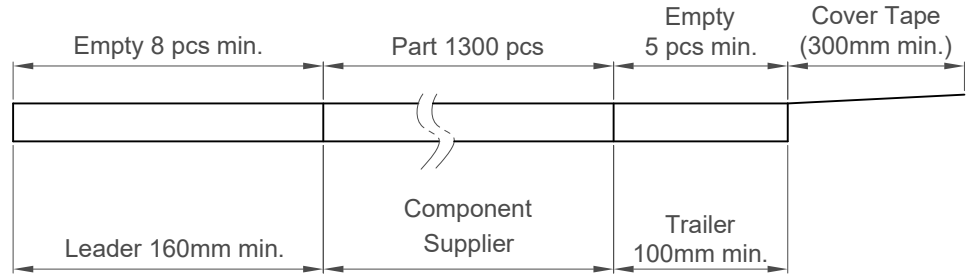
Micro SIM Reference

thickness = 0.76 ± 0.08

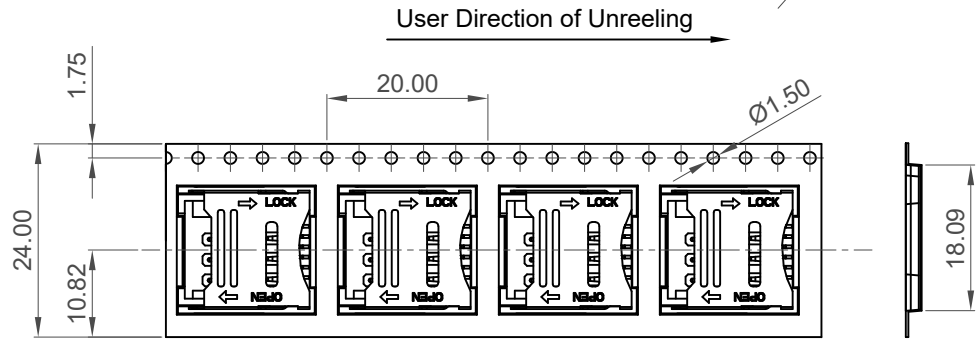
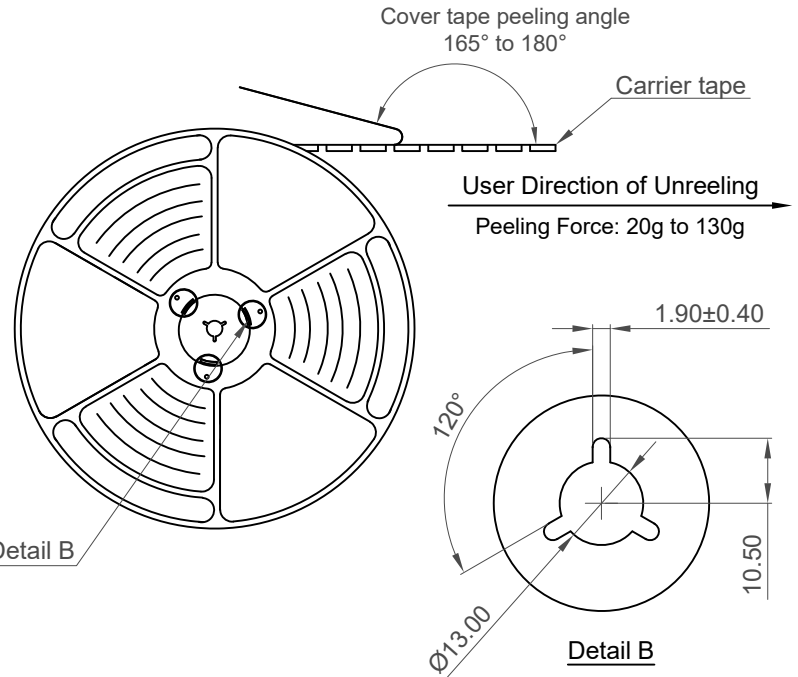
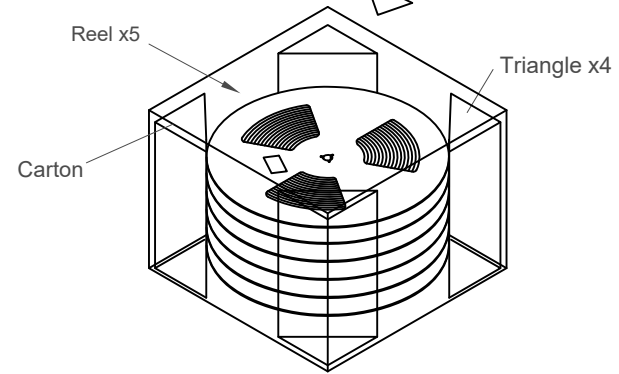
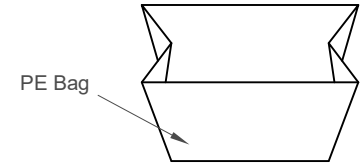
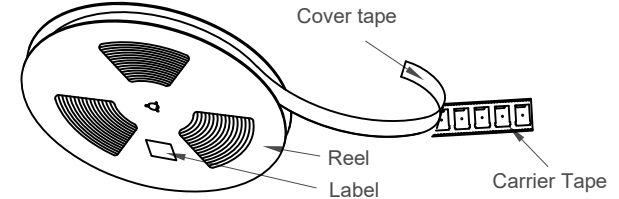


Contact Key	
C1	VCC
C2	RST
C3	CLK
C4	RFU
C5	GND
C6	Vpp
C7	I/O
C8	RFU

Part Number		Product Description		 www.gct.co
SIM7200		Micro SIM Card Connector		
Drawing Date		Hinged Type, 6 Pin, SMT, 1.75mm Profile		
8th September 2016				
By	CC	Tolerances (Except as Noted)		Units:
Detail	Drawing Release	Length	Angle	Metric (mm)
Revision	A2	X. ± 0.25		 This drawing is confidential and copyright of Global Connector Technology, Ltd (GCT). This drawing must not be copied or disclosed without written consent. E & OE
Date	22/06/22	X.X ± 0.20	± 3°	
		X.XX ± 0.15		Not to Scale Drawn By AJO Sheet No. 3/4



Part No.	Pcs/Reel	Reels/Carton	Pcs/Carton
SIM7200	1300	5	6500



Part Number		Product Description	
SIM7200		Micro SIM Card Connector	
Drawing Date		Hinged Type, 6 Pin, SMT, 1.75mm Profile	
8th September 2016			
By	CC	Tolerances (Except as Noted)	Units:
Detail	Drawing Release	Length	Metric (mm)
Revision	A2	X. ± 0.30	X. ± 5°
Date	22/06/22	X.X ± 0.25	X.X ± 2°
		X.XX ± 0.15	X.XX ± 1°



This drawing is confidential and copyright of Global Connector Technology, Ltd (GCT). This drawing must not be copied or disclosed without written consent. E & OE



www.gct.co

Not to Scale	Drawn By AJO	Sheet No. 4/4
--------------	--------------	---------------

Mouser Electronics

Authorized Distributor

Click to View Pricing, Inventory, Delivery & Lifecycle Information:

[GCT:](#)

[SIM7200-6-0-18-00-A](#)