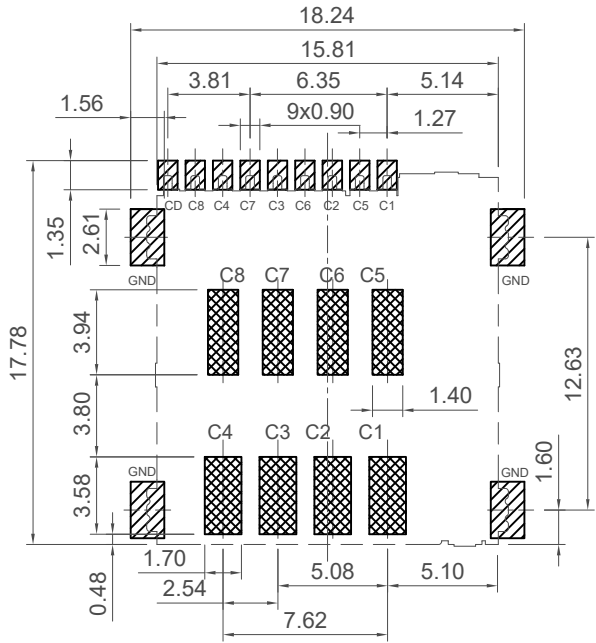
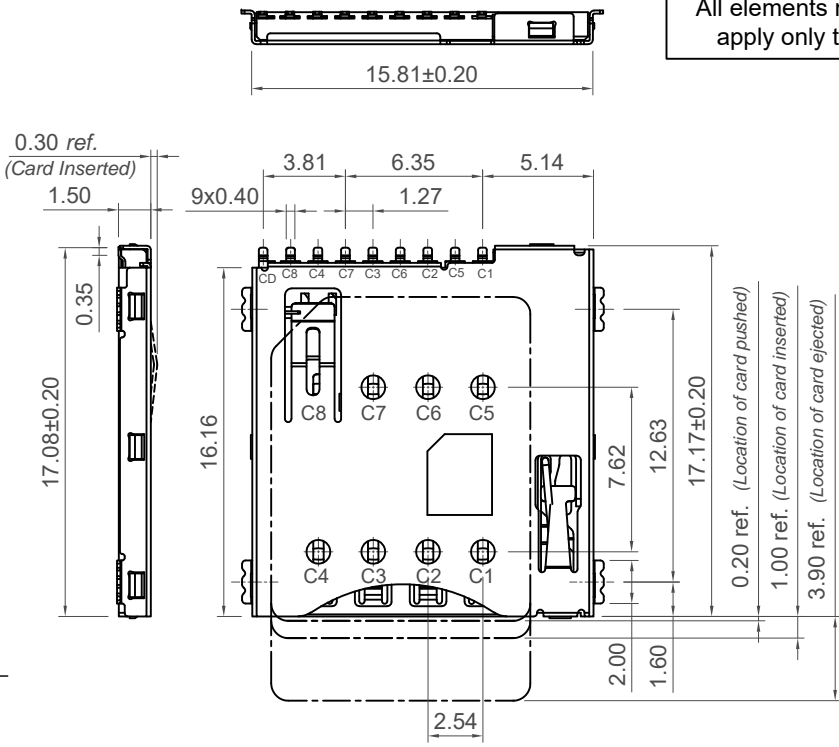
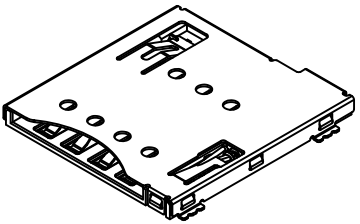


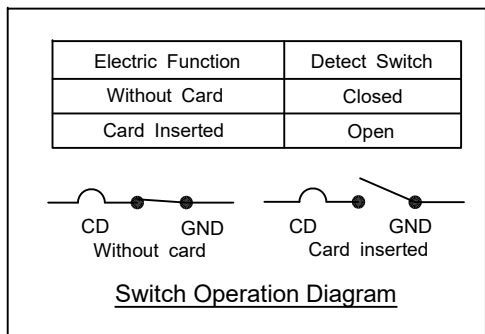
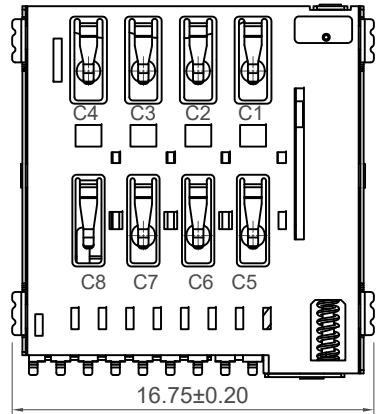
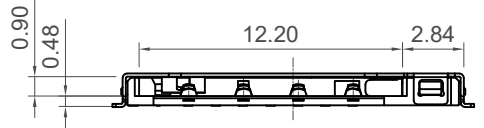
H
G
F
E
D
C
B
A

All elements marked as C4 and C8 apply only to 8 contact version.



Recommended PCB Layout
General Tolerance ±0.05

Locating peg holes only applicable to locating peg version



Specification:

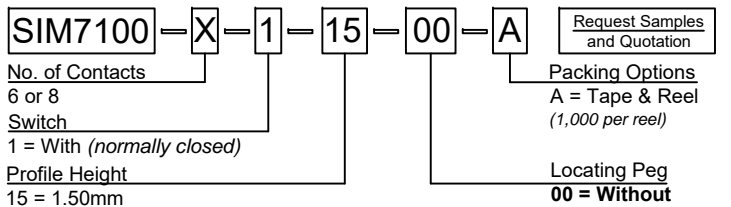
Material:
 Plastic Housing&Slider:
 Thermoplastic, UL94V-0, Black
 Contact Terminal & Card Detection Switch :
 Phosphor Bronze
 Shell,Cam Pin: Stainless Steel
 Coil Spring: SWP (steel)

Plating:
 Contact Terminal:
 Contact Area: 3μ" Gold
 Solder area: Gold Flash
 Underplating: Ni overall 50μ" min.
 Shell: Ni overall, 30μ" min.
 Solder area: Gold Flash

Electrical:
 Voltage Rating: 50V max.
 Current Rating: 1A max.
 Dielectric Withstanding: 500V AC
 Insulation Resistance: 1000 MΩ min.
 Contact Resistance: 100 mΩ max. (signal)
 300 mΩ max. (switch)

Mechanical:
 Duration: 1500 cycles
 Operating Temperature: -40°C to +85°C

Ordering Grid



Part Number		Product Description	
SIM7100		Micro SIM Card Connector - Push-Push Type	
Drawing Date		12th September 2014	
By		CC	
Detail		C PCN	
Revision		C2	
Date		15/06/21	
Tolerances (Except as Noted)		Units:	
Length		Metric (mm)	
Angle		3rd Angle Projection	
X. ± 0.35		X.° ± 5°	
X.X ± 0.25		X.XX° ± 4°	
X.XX ± 0.15		X.XXX° ± 3°	
X.XXX ± 0.10		X.XXX° ± 2°	



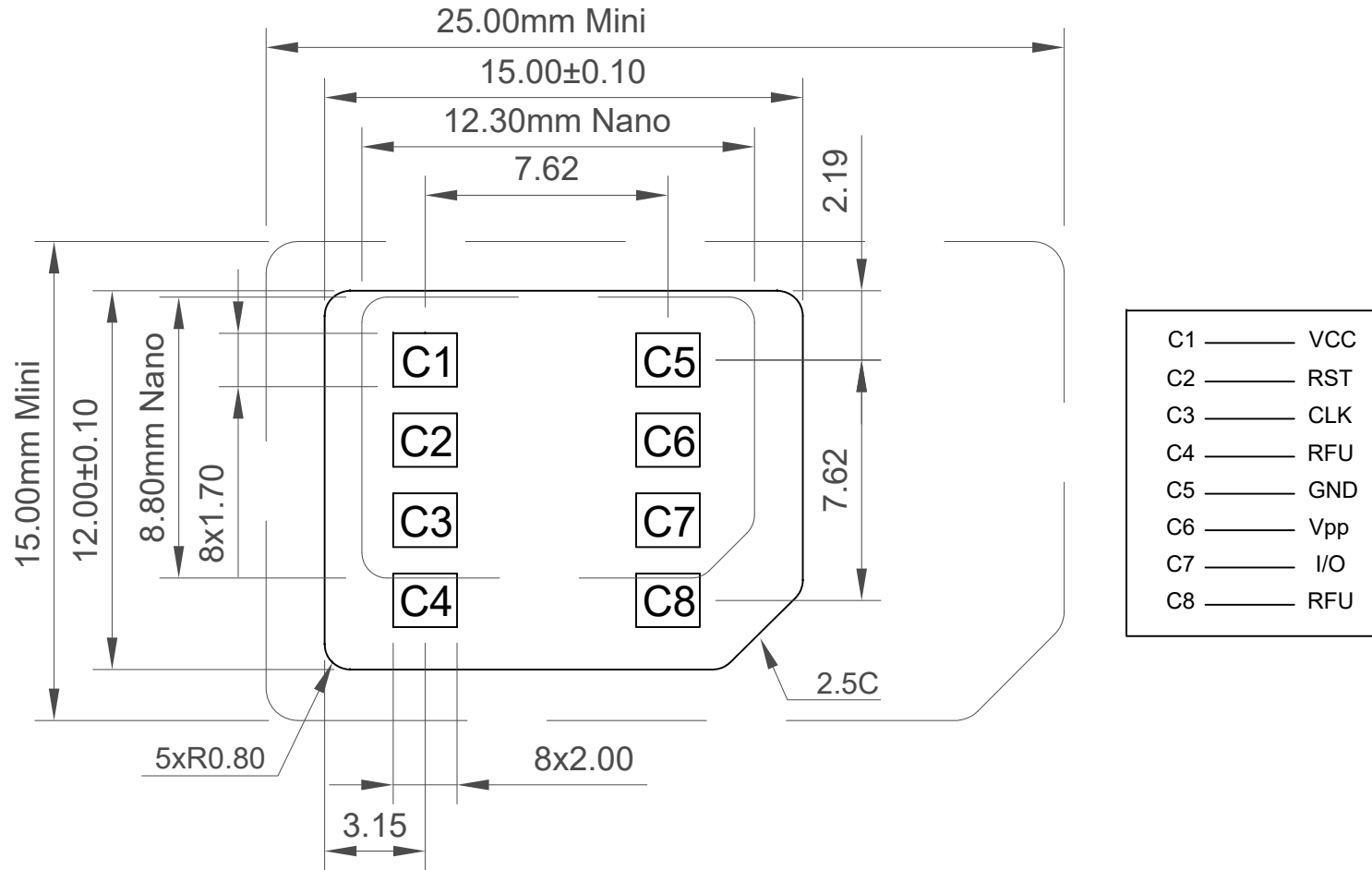
This drawing is confidential and copyright of Global Connector Technology, Ltd (GCT). This drawing must not be copied or disclosed without written consent. E & OE



Not to Scale	Drawn By AJO	Sheet No. 1/3
--------------	--------------	---------------

Micro SIM Reference

thickness = 0.76 ± 0.08



C1	VCC
C2	RST
C3	CLK
C4	RFU
C5	GND
C6	Vpp
C7	I/O
C8	RFU

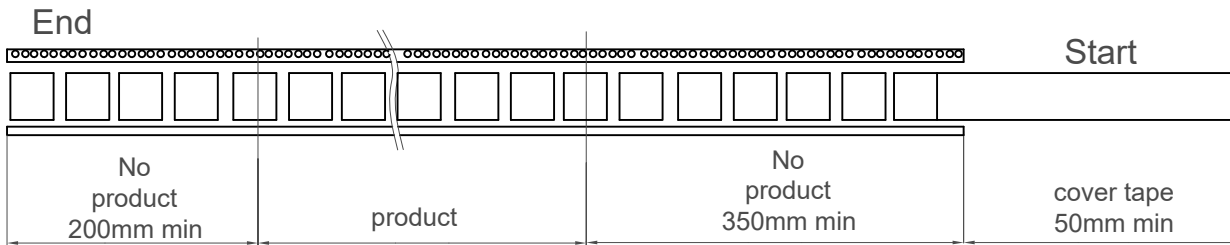
Part Number		Product Description	
SIM7100		Micro SIM Card Connector - Push-Push Type	
Drawing Date		6 or 8 Pin, SMT, 1.50mm Profile	
12th September 2014			
By	CC	Tolerances (Except as Noted)	Units:
Detail	SIM7100 C PCN	Length X. ± 0.35 X.X ± 0.25 X.XX ± 0.15 X.XXX ± 0.10	Metric (mm)
Revision	C2	Angle X.° ± 5° X.X° ± 4° X.XX° ± 3° X.XXX° ± 2°	
Date	15/06/21		



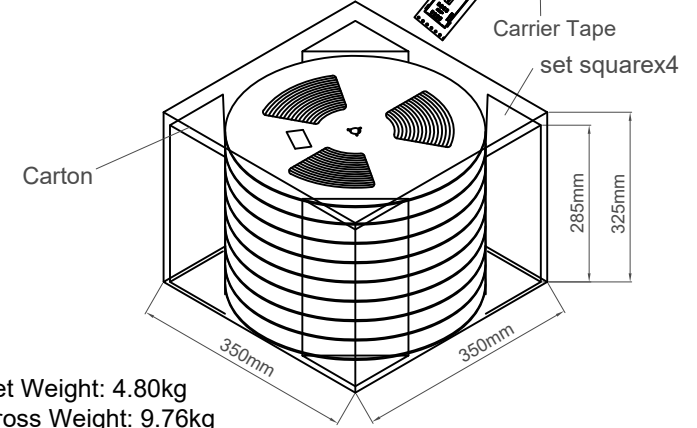
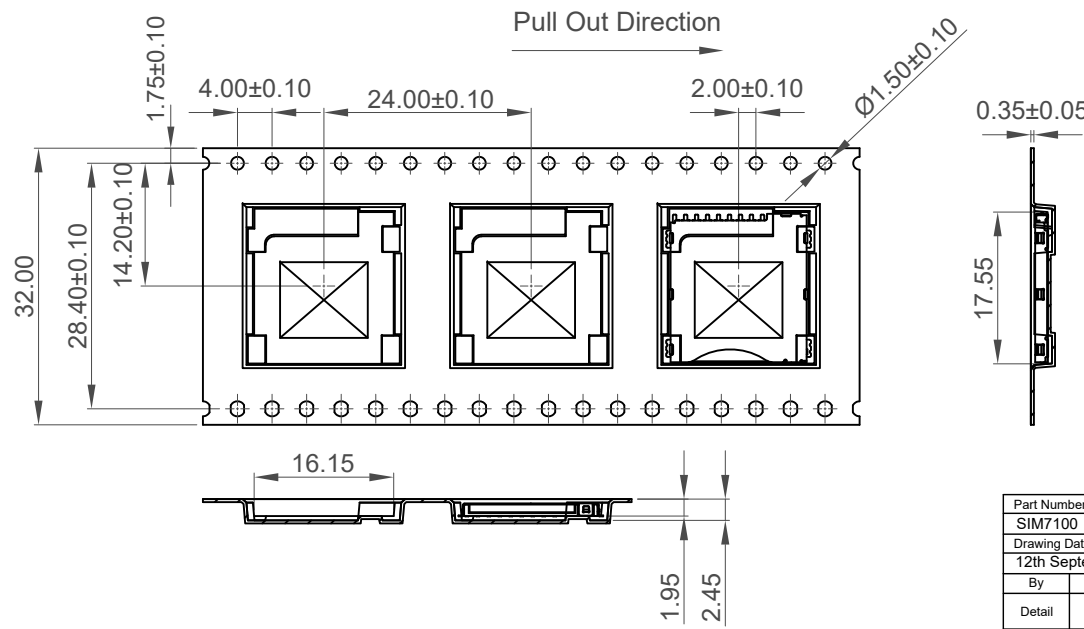
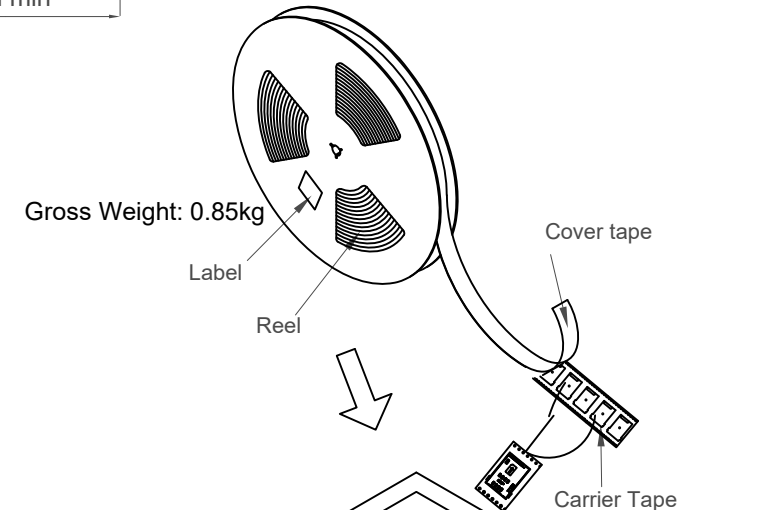
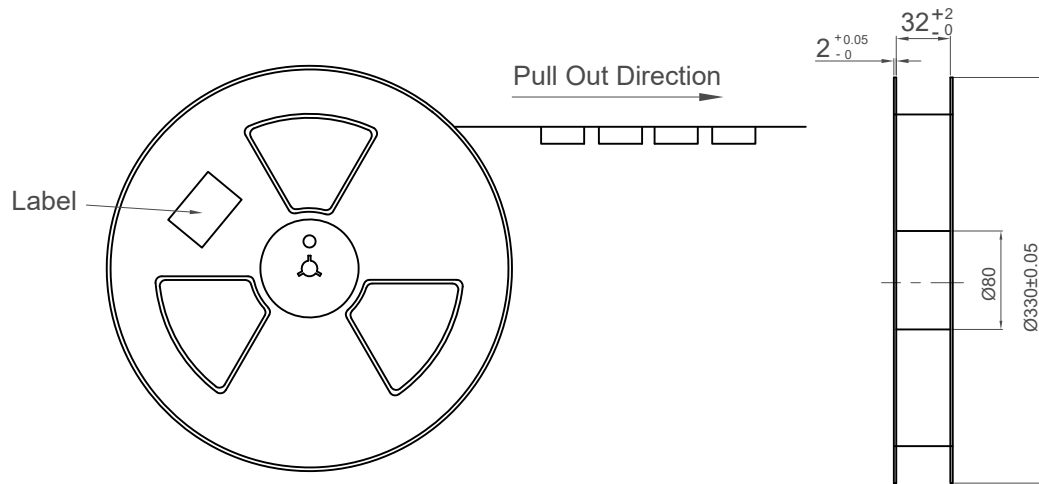
This drawing is confidential and copyright of Global Connector Technology, Ltd (GCT). This drawing must not be copied or disclosed without written consent. E & OE



Not to Scale	Drawn By AJO	Sheet No. 2/3
--------------	-----------------	------------------



Products P/N	PCS/Reel	Reels/Carton	PCS/Carton
SIM7100	1000	8	8000



Part Number SIM7100		Product Description Micro SIM Card Connector - Push-Push Type 6 or 8 Pin, SMT, 1.50mm Profile	
Drawing Date 12th September 2014			
By CC	Tolerances (Except as Noted) Length	Units: Metric (mm)	 <small>This drawing is confidential and copyright of Global Connector Technology, Ltd (GCT). This drawing must not be copied or disclosed without written consent. E & OE</small>
Detail SIM7100 C PCN	Angle		
Revision C2			
Date 15/06/21			



Not to Scale	Drawn By AJO	Sheet No. 3/3
--------------	-----------------	------------------

Mouser Electronics

Authorized Distributor

Click to View Pricing, Inventory, Delivery & Lifecycle Information:

[GCT:](#)

[SIM7100-8-1-15-00-A](#)