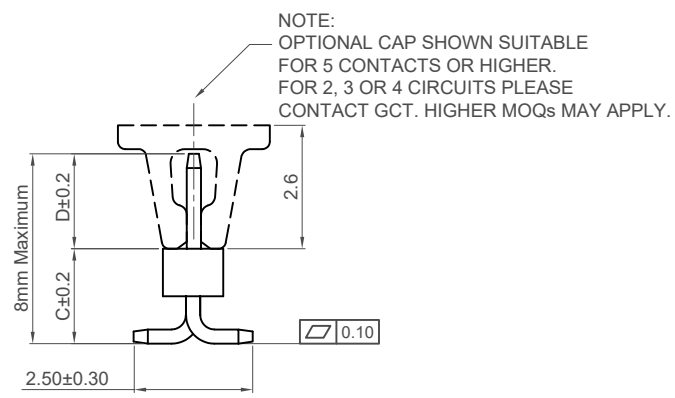
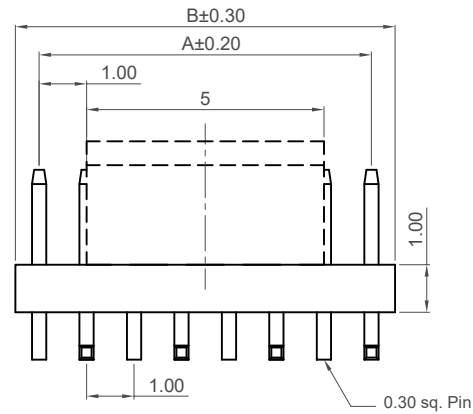
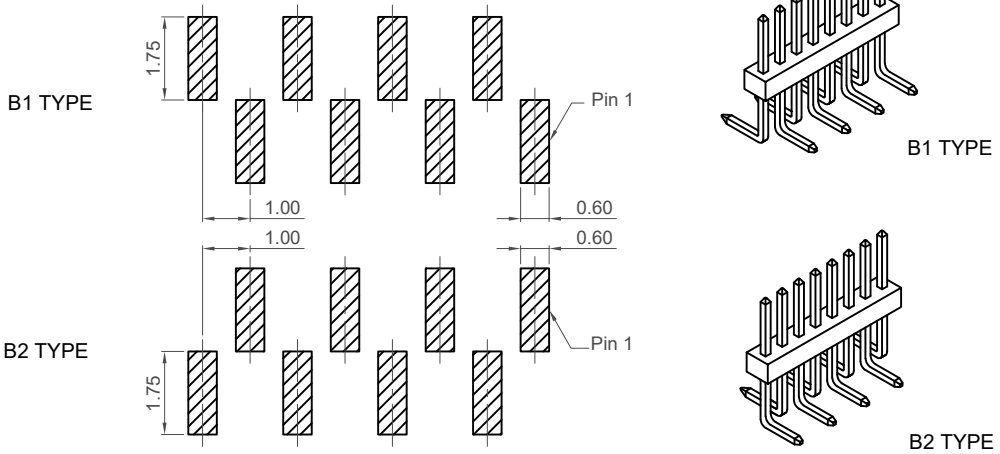
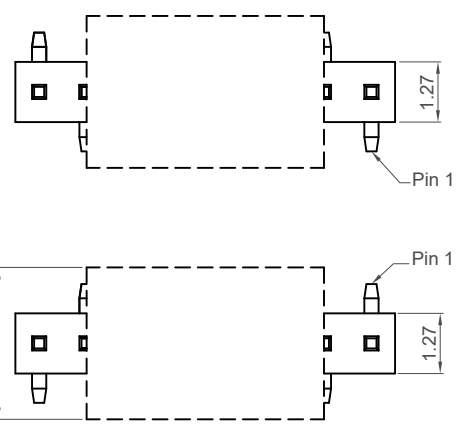


H  
G  
F  
E  
D  
C  
B  
A



No. of Contacts	Dimensions	
	A	B
2	1.00	2.00
3	2.00	3.00
4	3.00	4.00
5	4.00	5.00
6	5.00	6.00
7	6.00	7.00
8	7.00	8.00
9	8.00	9.00
10	9.00	10.00
11	10.00	11.00
12	11.00	12.00
13	12.00	13.00
14	13.00	14.00
15	14.00	15.00
16	15.00	16.00
17	16.00	17.00
18	17.00	18.00
19	18.00	19.00
20	19.00	20.00
21	20.00	21.00
22	21.00	22.00
23	22.00	23.00
24	23.00	24.00
25	24.00	25.00
26	25.00	26.00
27	26.00	27.00
28	27.00	28.00
29	28.00	29.00
30	29.00	30.00
31	30.00	31.00
32	31.00	32.00
33	32.00	33.00
34	33.00	34.00
35	34.00	35.00
36	35.00	36.00
37	36.00	37.00
38	37.00	38.00
39	38.00	39.00
40	39.00	40.00



**Recommended PCB Layout**  
General Tolerance ±0.05  
Solder Area

**Ordering Grid**  
BC032-XX-A-X-XXXX-XXXX-L-X

**No. of Contacts**  
02 to 40

**Contact Plating**  
A = Gold Flash All Over (Standard)

**Type**  
2 = B2 Type (Standard)  
1 = B1 Type

**Dimension C (1/100mm)**  
(Bottom of Pin to Top of Insulator)  
0200 = 2.00mm (Standard)  
or specify Dimension C  
eg 0250 = 2.50mm  
(Minimum 0150=1.50mm)

**Packing Options**  
B = Tape and Reel with Cap (Standard) - See note above  
D = Tube (unavailable in 2 & 3 contacts)  
E = Tube with Cap (unavailable in 2, 3, 4, 5 contacts)  
G = Plastic Box (only available in 2 & 3 contacts)

**Insulator Material**  
L = LCP (Standard)

**Dimension D (1/100mm) (Post Height)**  
0200 = 2.00mm (Standard)  
0380 = 3.80mm (Standard)  
or specify Dimension D  
eg 0250 = 2.50mm  
(Maximum 0500=5.00mm)  
(Minimum 0100=1.00mm)

**Request Samples and Quotation**

**Specifications**

**Material**  
Contact: Phosphor Bronze  
Insulator: Polymer LCP, UL 94V-0, Black

**Plating**  
Gold Flash All Over

**Electrical**  
Current Rating: 1 Amp  
Contact Resistance: 20 mΩ max.  
Insulation Resistance: 1000 MΩ min.  
Dielectric Withstand Voltage: 300 V AC

**Soldering Process:**  
IR Reflow: 260°C for 10 sec.  
Wave: 250°C for 5-10 sec  
Manual Solder: 350°C for 3-5 sec

**Mechanical & Environmental**  
Operating Temperature: -40°C to +105°C

Mates with (Subject to pin length):  
BC065 BC070 BC075

Part Number BC032		Product Description 1.0mm Pitch Pin Header, Single Row, Surface Mount, Vertical		 www.gct.co
Drawing Date 20th May 2008				
By KY	Tolerances (Except as Noted)	Units: Metric (mm)	  	This drawing is confidential and copyright of Global Connector Technology, Ltd (GCT). This drawing must not be copied or disclosed without written consent. E & OE
Detail BC032 F PCN	Length X. ± 0.30	Angle X.° ± 5°		
Revision F2	X.X ± 0.25	X.XX ± 3°		
Date 18/06/24	X.XX ± 0.15	X.XXX ± 2°		
	X.XXX ± 0.10	X.XXX° ± 1°		Not to Scale Drawn By ASE Sheet No. 1/1

# Mouser Electronics

Authorized Distributor

Click to View Pricing, Inventory, Delivery & Lifecycle Information:

[GCT:](#)

[BC032-05-A-2-0200-0200-L-B](#)