

ROUND ROCKER SWITCH FOR HIGHER LOADS

SR Series



Features

- 20 amp switching in a compact design
- Available in a variety of colors
- Self-locking tabs and anti-rotation pin for snug fit
- Mechanical life: min. 50,000 operations

Specifications

Electrical

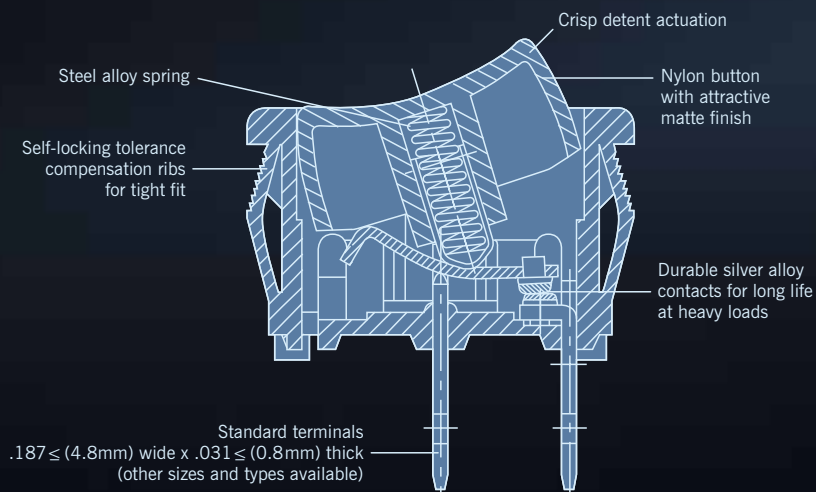
Dielectric Strength:	1000VAC for 1 minute
Insulation Resistance:	10 ⁸ ohms min at 500VDC
Initial Contact Resistance:	0.020 ohms max
Temperature Range:	-20°C to +65°C

Materials

Actuator:	Nylon 66 94V-2
Base:	Nylon 66 94V-2
Contacts:	Silver Alloy
Movable Arm:	Silver-Plated Copper Alloy
Terminals:	Tin-Plated Copper Alloy

Electrical Ratings

Switch Series	EN61058 Rating	UL1054 Rating	Electrical Life at Rated Load	
			According to VDE (Min. Operations)	According to UL (Min. Operations)
SR	N/A	20A, 125VAC; 12A, 250VAC	N/A	6,000



Mouser Electronics

Authorized Distributor

Click to View Pricing, Inventory, Delivery & Lifecycle Information:

[ZF Electronics:](#)

[SRJ24A3BBBNN](#) [SRJ22A3DBBNN](#) [SRJ24A3HBBNN](#) [SRJ23A3BBBNN](#) [SRJ22A3BBBNN](#)