

Rocker Switch



Single Pole

TR Series

Features

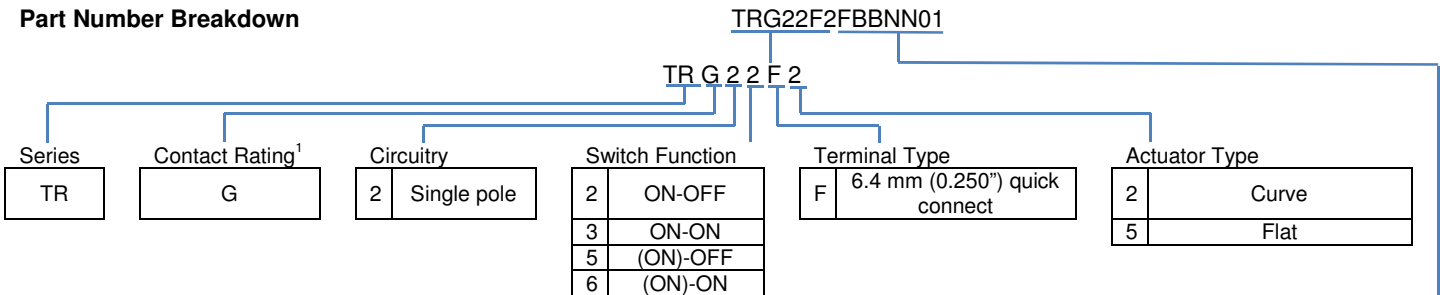
- Lighted & non-lighted versions available
- Maintained and momentary action
- 16 A switching in 11 mm wide packaging
- RoHS compliant
- Minimum 10,000 operations mechanical life

Standard Parts¹

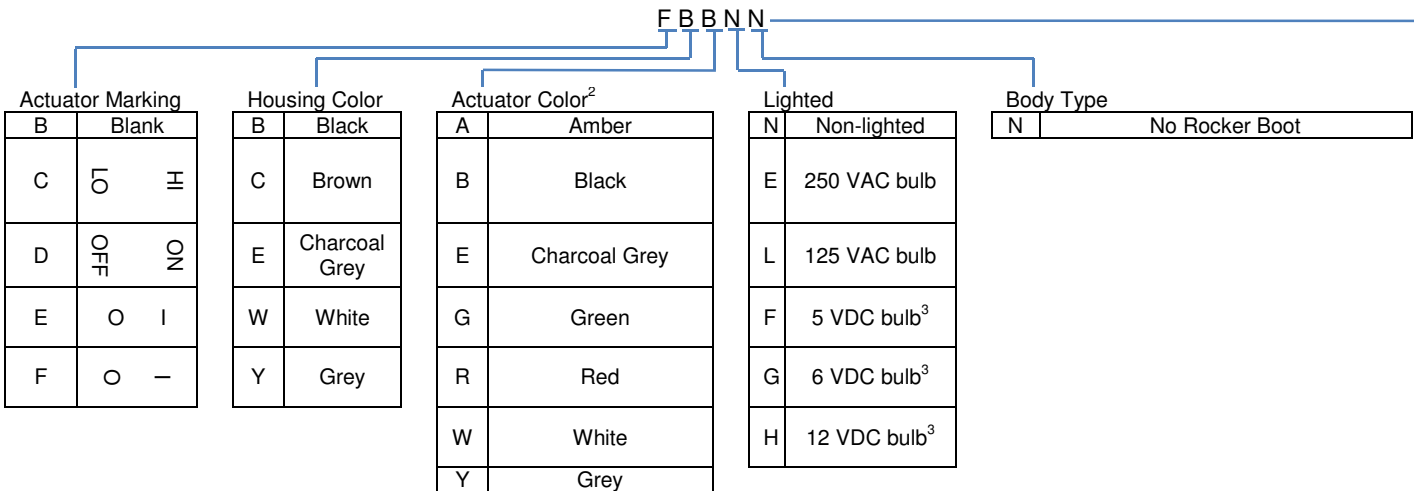
North America and Europe			Europe Only	
TRG22F2BBRLN	TRG22F2FBBNN	TRG22F2BBGEN	TRG22F2BBGLN	TRG22F2BBREN

¹The part number configuration matrix below provides details to the part numbers above. For configurable part numbers that are not listed above, contact the factory or your distributor.

Part Number Breakdown



¹See Electrical Specifications section



²Charcoal Grey, White, Grey not available for illuminated actuator

³Switches have no agency DC ratings



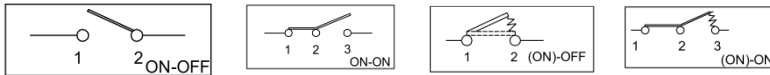
Electrical Specifications

Inrush Rating – 2 Position	48 A		
Inrush Rating – 3 Position	24 A		
Dielectric Strength	1000 VAC for 1 minute		
Insulation Resistance	100 MΩ min at 500 VDC		
Initial Contact Resistance	0.020 Ω max		
Switch Function	EN61058-1 Rating	UL General Purpose Rating	UL HP Rating
All	16 (4) A 250 VAC ~T85/55	16 A 125 VAC / 16 A 250 VAC	¼ HP 125 VAC / ¾ HP 250 VAC
Electrical Life at Rated Load Minimum Operations	VDE 10,000	UL 6,000	
UL File No: E23301			

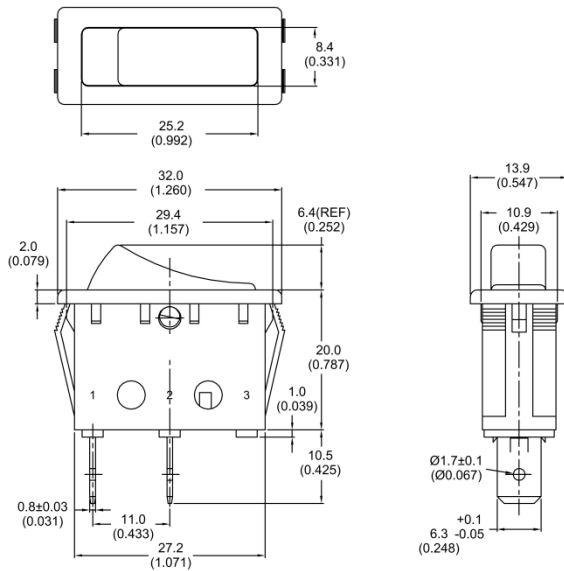
Material and Environmental Specifications

Actuator, non-lighted	Nylon 66 94V-2		
Actuator, lighted	Polycarbonate		
Base	Nylon 66 94V-2		
Spring	Steel Wire		
Contacts	Silver Alloy		
Movable Arm	Silver-Plated Copper Alloy		
Terminals	Silver-Plated Copper Alloy		
Operating Temperature Range	-20 °C to +85 °C (-4 °F to +185 °F)		

Circuitry and Switch Functions

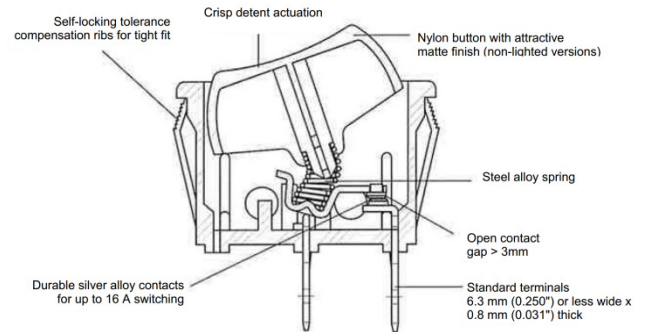


Dimensions mm (inches)



NOTE: TOLERANCES UNLESS OTHERWISE SPECIFIED: ± 0.3 (0.012)

Recommended Panel Cut-Out Dimensions		
Panel thickness	X Dimension	Y Dimension
0.75 to 1.25 (0.030 to 0.049)	30.23 (1.19)	11.00 (0.433)
1.25 to 2.00 (0.049 to 0.079)	30.48 (1.20)	11.00 (0.433)
2.00 to 3.00 (0.079 to 0.118)	30.73 (1.21)	11.00 (0.433)



Mouser Electronics

Authorized Distributor

Click to View Pricing, Inventory, Delivery & Lifecycle Information:

[ZF Electronics:](#)

[TRG22F2FBRNN](#) [TRG22F5BBRLN](#) [TRG22F2BBRLN](#) [TRG22F2FBBNN](#) [TRG22F2DBBNN](#) [TRG22F2BBGLN](#)