

LUMOTAST 75 IP65 - Signal lamp, protruding lens, square collar, housing
1.65.111.086/0000

For assembly, press the lens as far as possible.



General information

Form of lens	protruding
Form of collar	square

Dimensions

Length of collar	19 mm
Width of collar	19 mm
Overall height	10.5 mm
Mounting depth	33.5 mm
Mounting hole	16.2 mm

Mechanical design

Mounting	ring nut
Terminals	solder terminals
Lamp socket	T 4.5
Lamp	LED / filament lamp

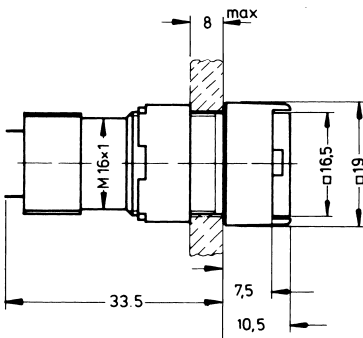
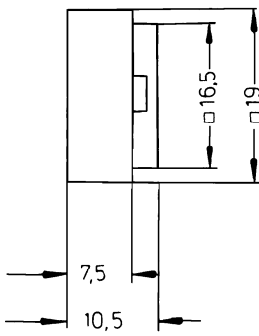
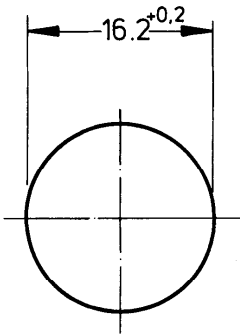
Electrical characteristics

Voltage limit max.	35 V
Power limit max.	1.2 W

Other specifications

Degree of protection from front side	IP65 (DIN EN 60529)
Weight	5 g
Approvals	ENEC 25 T 55 (70), UL, CSA
Operation temperature min.	-25 °C
Ambient temp. operating max.	+55 °C
Storage temperature min.	-40 °C
Storage temperature max.	+80 °C
Environmental resistance	acc. to IEC 60068-2-14, -30, -33 and -78
ROHS compliant	yes
REACH compliant	yes

Mounting hole



Mouser Electronics

Authorized Distributor

Click to View Pricing, Inventory, Delivery & Lifecycle Information:

RAFI:

[1.65.111.086/0000](#)