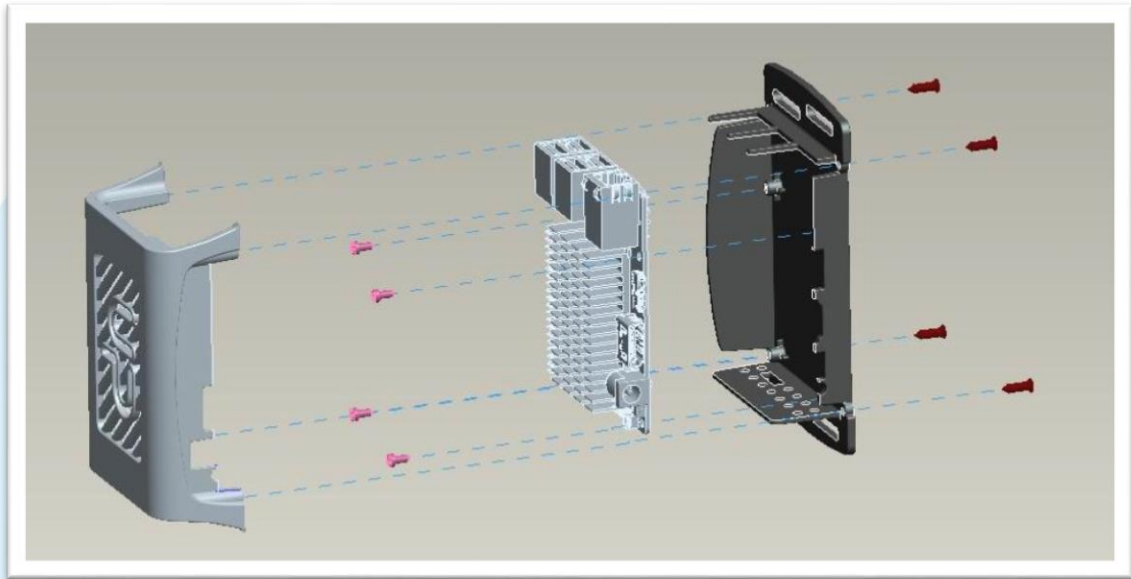


## Quick start guide UP Chassis



### Parts List

- One top cover with UP logo.
- One base case.
- Four (4) 2.3-8 sheet Metal Tapping round head screws.
- Four (4) 2.3-10 Sheet Metal Tapping flat head screws.

### Not included with the kit, you may need to prepare:

- UP board.
- Small screwdriver

### Assembly steps

1. Start with placing the board into base bottom case and check well with the 4 sides exactly that match the IO sides.
2. Take 4 round head screws to fix the board first.
3. The top case covers the base bottom.
4. Take flat head screws, and holding the bottom base with board in place, feed the screws from the bottom, through the screw holes to the top cover feet, wiggling them a little bit to get them to line up.
5. Make sure they are finger tight, so they won't come undone during use.

As always, go check out [up-community.org](http://up-community.org)  
for support and more information about your UP board

# Mouser Electronics

Authorized Distributor

Click to View Pricing, Inventory, Delivery & Lifecycle Information:

[AAEON:](#)

[UPMPABSCHASSISV1](#)