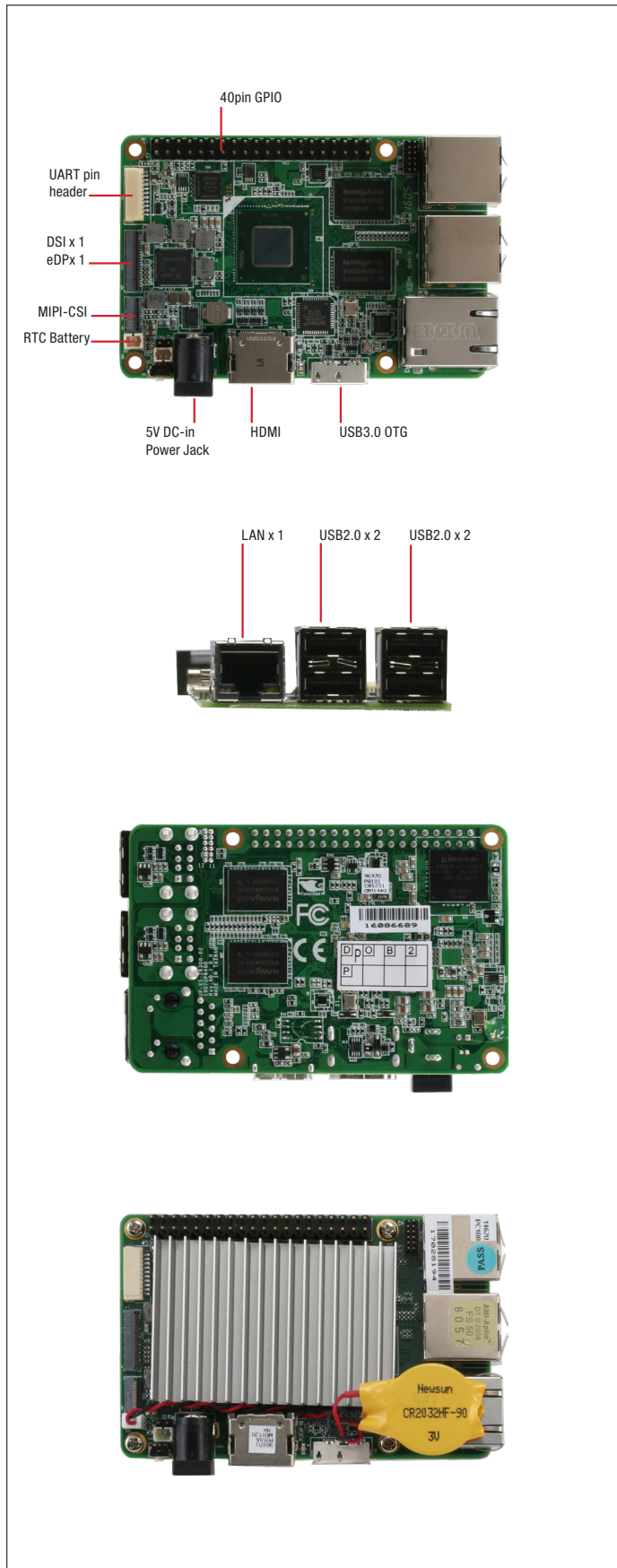


# UP Board

UP Developer Board with Intel Atom® x5-Z8350 Processor SoC



## Features

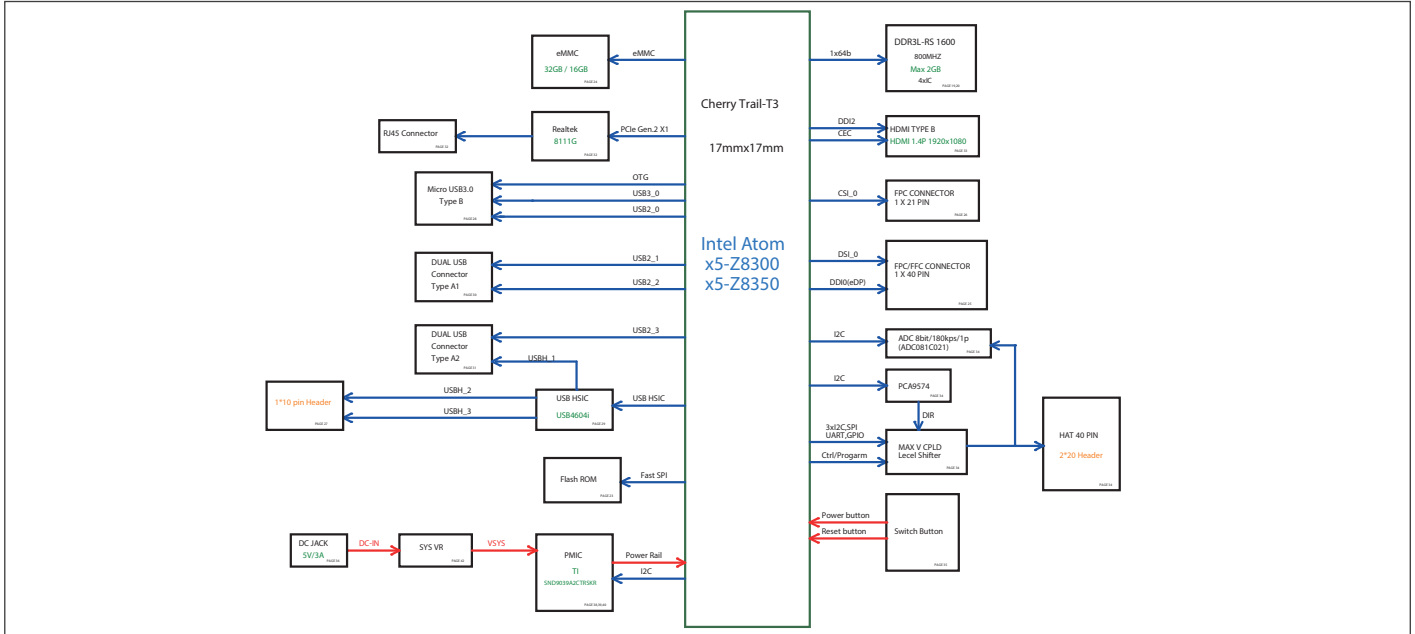
- Intel Atom® x5-Z8350 SoC
- Onboard DDR3L Memory up to 4GB
- Onboard eMMC Storage up to 64GB
- Gigabit LAN x 1, USB 2.0 x 4, USB 3.0 x 1, HDMI x 1
- 5V DC-in
- 40-pin GPIO x 1
- DSI/eDP x 1
- MIPI-CSI x 1



## Specifications

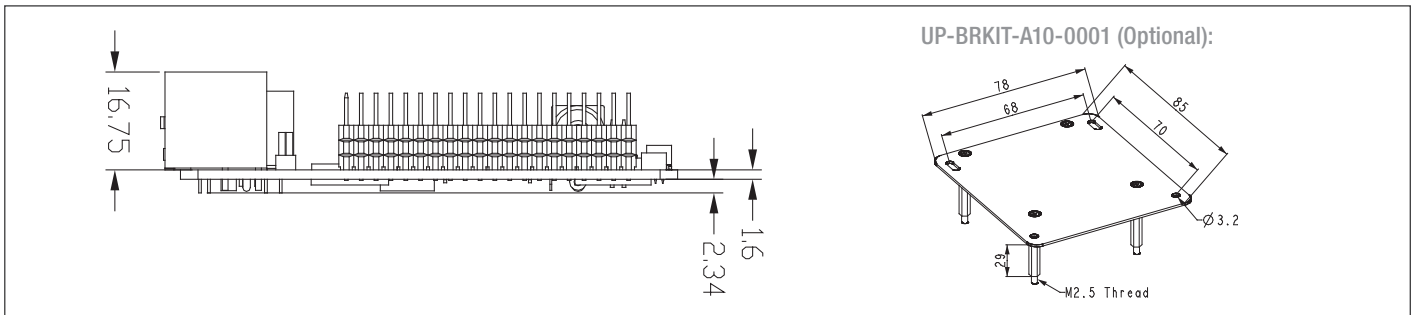
System	
Processor	Intel Atom® x5-Z8350 Processor SoC
Graphics	Intel HD Graphics 400
Memory	Up to 4GB onboard DDR3L
Storage	Up to 64GB onboard eMMC
I/O	HDMI x 1 I2S Audio port x 1
Camera	MIPI-CSI (4 megapixel)
USB	USB 2.0 x 4 USB 2.0 x 2 (from 10-pin header x 1) USB 3.0 OTG x 1
Expansion	40-pin GPIO x 1
Display Interface	DSI x 1 eDP x 1
Ethernet	1GbE RJ-45 x 1 (Realtek RTL8111H-CG)
Security	—
RTC	Yes
OS Support	Microsoft Windows 10 Windows IOT Core Linux Ubuntu 22.04 Linux Yocto 3.1
Power Requirement	
Power	5V DC-in
Power Supply Type	AT/ATX (AT as default)
Power Consumption (Typical)	6.6W
Mechanical	
Dimension	3.34" x 2.20" (85mm x 56mm)
Net Weight	0.022 lbs (0.1kg)
Gross Weight	0.35 lbs (0.16kg)
Environment	
Operating Temperature	32°F ~ 140°F (0°C ~ 60°) / 0.5 airflow
Operation Humidity	10% ~ 80% relative humidity, non-condensing
MTBF	270,599 Hours
Certification	CE/FCC Class A, RoHS Compliant

## Block Diagram



## Dimension

Unit: mm



## Packing List

- UP-CHT01 with Heatsink

## Ordering Information

Part Number	CPU	MEMORY	STORAGE	HEATSINK
UP-CHT01-A20-0116-A11	Intel Atom® x5-Z8350	1GB	16GB	FANLESS
UP-CHT01-A20-0216-A11	Intel Atom® x5-Z8350	2GB	16GB	FANLESS
UP-CHT01-A20-0232-A11	Intel Atom® x5-Z8350	2GB	32GB	FANLESS
UP-CHT01-A20-0432-A11	Intel Atom® x5-Z8350	4GB	32GB	FANLESS
UP-CHT01-A20-0464-A11	Intel Atom® x5-Z8350	4GB	64GB	FANLESS

## Optional Accessories

Part Number	Description
1255300203	(TF)Power Adapter.AC/DC.100-240VAC.20W.5VDC/4A.POWERTRON.PA1024-050IB400
UP-WIFIKIT-A10-7001	UP-GWS01 WIFI KIT.with Fangtec.GWF-7M02-50-F-2.0-7-1.A01
UP-POE-A20-0001	UP-POE.Rev.A0.2_0_0.POE PD Board for UP-CHT01
UP-3GHAT-A20-0001	UP-3GHAT USB to 2CH UART Board.Rev.A0.2
UPCR-CAN1-A10-0001	UP CAN Bus Carrier Board with USB/UART interface for UP product line
UP-BRKIT-A10-0001	Bracket KIT of board fixture for all UP series

# Mouser Electronics

Authorized Distributor

Click to View Pricing, Inventory, Delivery & Lifecycle Information:

[AAEON:](#)

[UP-CHT01-A12-0432](#) [RE-UP-CHT01-0216-PACK02](#) [RE-UP-CHT01-0232-PACK02](#) [RE-UP-CHT01-0432-PACK02](#)  
[RE-UP-CHT01-0464-PACK02](#)