

Luminus High Power Starboards

Industry Leading High Powered LED Starboards

Data Sheet

Version 1.0

Lean & Fast. Made Smarter.

Superior Performance - Stay current with the highest intensity LEDs

Design Faster - Use industry standard starboards to shorten development time

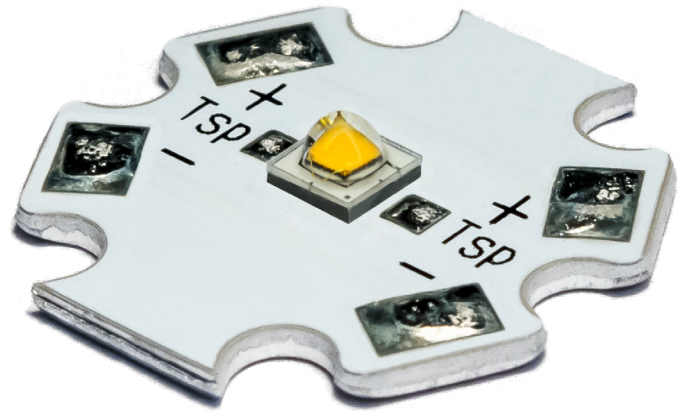
Maximum Flexibility - Design to your exact specifications using NewEnergy' starboards

Rapid Innovation - Work with NewEnergy on your custom solution

Primary Applications



Horticulture	Canopy
Entertainment	Garage
Stage/concert	Portable
Spot lighting	High bay
Architectural	

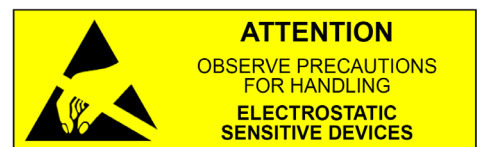


Custom Solutions

NewEnergy operates facilities globally with ISO certifications for the LED lighting, automotive and medical industries. Our North Carolina based office provides quick engineering & sales support with a R&D lab for prototype development and custom solutions. Our in-house global manufacturing capabilities allow for both building in the United States as well as overseas at scale.

About NewEnergy

NewEnergy accelerates the adoption of LED technology through simple, modular products and custom designs. Through 30 years of experience, state of the art manufacturing, full traceability and advanced quality controls, NewEnergy offers leading solid state lighting components, modules and custom solutions. NewEnergy customers get to market faster, with less resources, at lower costs. Visit new-energyllc.com for more information.



Luminus High Power Starboards

Product Selection Table

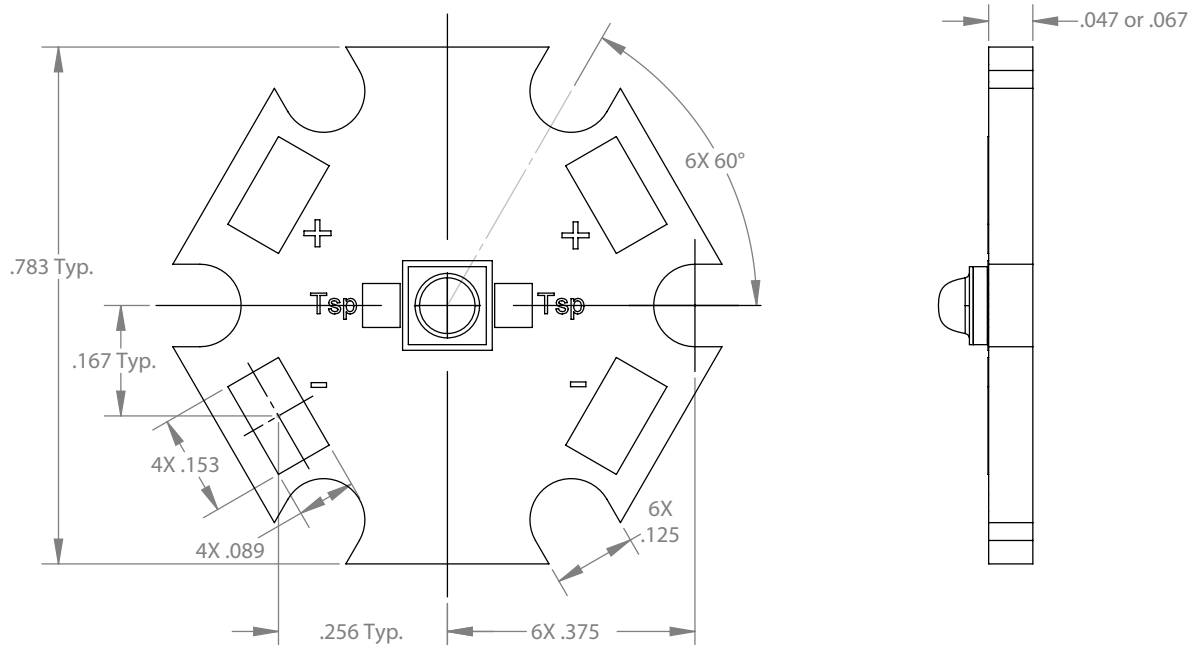
LED	Part Number	CCT	CRI	Luminous Flux (lm)		Efficacy Nominal (lm/W)	Watts (W)	
				Nominal 700mA	Max 3000mA		Nominal	Max
Warm CCT SST-20	LST1-01G03-2795-01	2700K	95	167	484	87	1.9	8.2
	LST1-01G03-3095-01	3000K	95	180	520	94	1.9	8.2
	LST1-01G03-3595-01	3500K	95	193	556	101	1.9	8.2
	LST1-01G03-4095-01	4000K	95	205	593	107	1.9	8.2
Cool CCT SST-20	LST1-01G03-5065-01	5000K	70	302	903	144	2.1	9.0
	LST1-01G03-5765-01	5700K	70	302	903	144	2.1	9.0
	LST1-01G03-6065-01	6000K	70	316	944	150	2.1	9.0
	LST1-01G03-6565-01	6500K	70	316	944	150	2.1	9.0

All values shown above are typical.
Do not look into the light that is emitting from these LEDs as it is harmful to the human eye.
Eye injury may result. Use skin and eye protection as necessary.

Maximum Ratings

Part Number	DC Current (A)	Forward Voltage (V)	Tsp Temp (°C)	Power (W)
LST1-01G03-x (2700K - 4000K)	3.0	3.1	105	8.2
LST1-01G03-x (5000K - 6500K)	3.0	3.3	105	8.0

Dimensions (Units: Inches)



Mouser Electronics

Authorized Distributor

Click to View Pricing, Inventory, Delivery & Lifecycle Information:

New Energy:

[LST1-01G03-2795-01](#) [LST1-01G03-3095-01](#) [LST1-01G03-3595-01](#) [LST1-01G03-4095-01](#) [LST1-01G03-5070-01](#)
[LST1-01G03-5770-01](#) [LST1-01G03-6070-01](#) [LST1-01G03-6570-01](#)