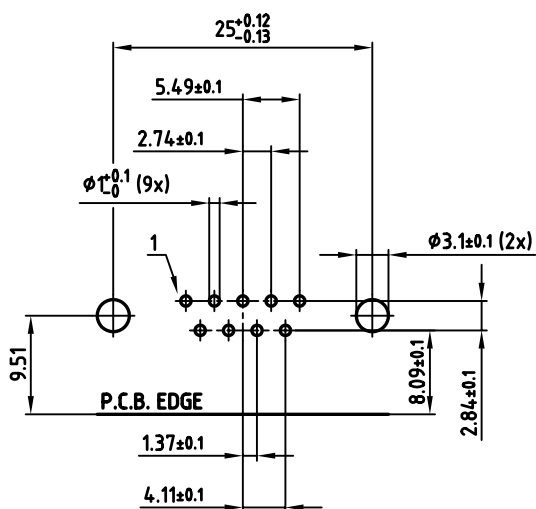
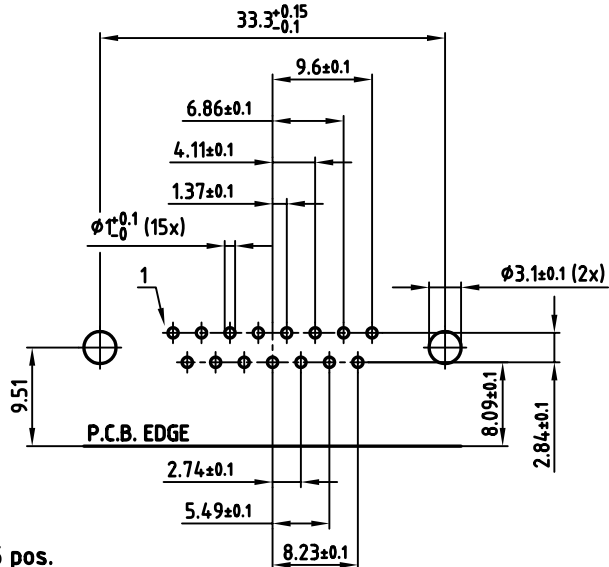


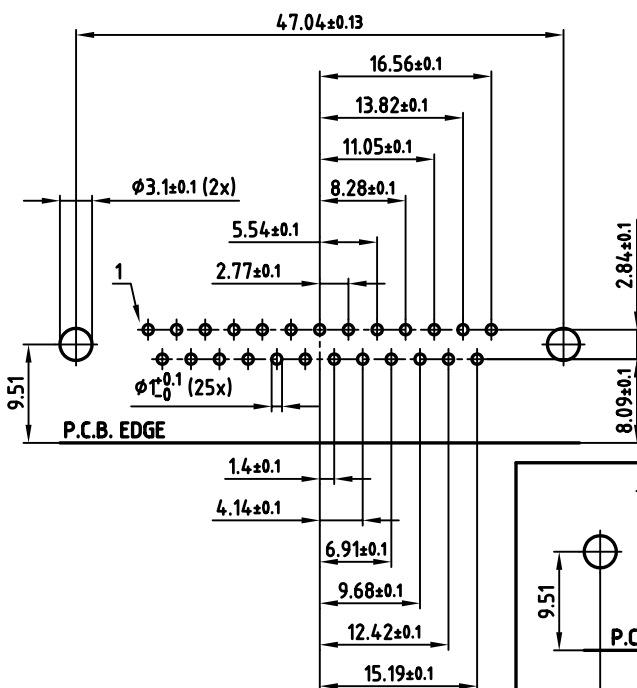
used for: D-SUB



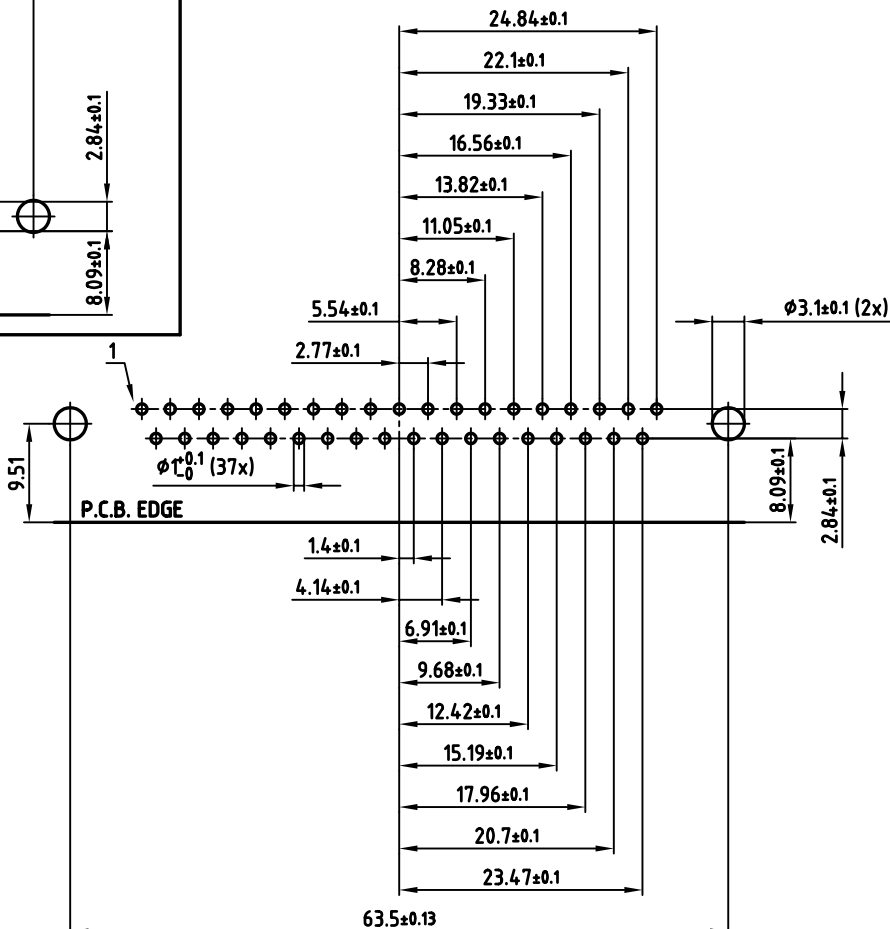
9 pos.



15 pos.



25 pos.



37 pos.

APPROVAL # FREIGABE # DEBLOCAGE # AUTORIZACION # APPROVAL	
CUSTOMER APPROVAL DATE:	
NAME:	TITLE:
COMPANY NAME:	
APPROVAL # FREIGABE # DEBLOCAGE # AUTORIZACION # APPROVAL	

THIS DRAWING MAY NOT BE COPIED OR REPRODUCED IN ANY WAY, AND MAY NOT BE PASSED ON TO A THIRD PARTY, WITHOUT WRITTEN PERMISSION. OWNERSHIP AND COPYRIGHT OF CONEC GmbH DO NOT ALTER CAD DRAWING BY HAND

rev.	description	date	name

tolerance	ϕ	scale:	2:1
dim. in mm		material:	SEE SHEET 1
2005	date	name	title:
drawn	27.06.	Lehmenkühler	P.C.B. HOLE DRILLINGS
appd.	27.06.	Kühle	D-SUB MALE 90° 9-37pos. pin angled 0.318"
norm	DIN 41652		stamped contacts - with threaded lock and clip
d-old			dwg no: AutoCAD 2004 DIN-A
			16K1A1438
			3
part no: SEE SHEET 1			sh:2/2

6

5

4

2

1

Mouser Electronics

Authorized Distributor

Click to View Pricing, Inventory, Delivery & Lifecycle Information:

[CONEC:](#)

[DLS1XP5AK40X](#)