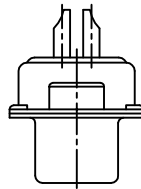
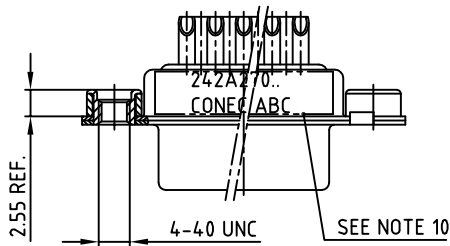
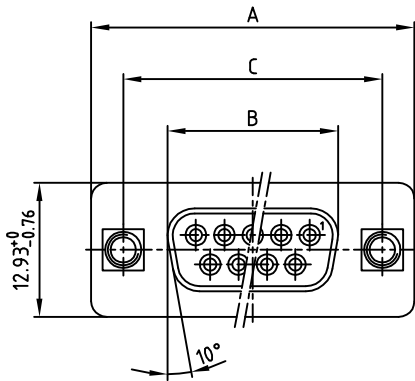
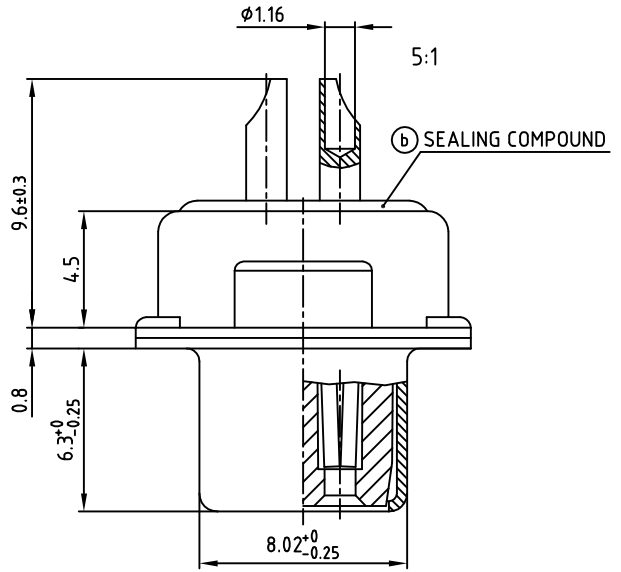


POS.	A-0.76	B-0.25	C	PART-NO.
9	31.19	16.46	25.00 ^{+0.12} _{-0.13}	242A27020X
15	39.52	24.79	33.30 ^{+0.15} _{-0.1}	242A27030X
25	53.42	38.50	47.04 ^{+0.13}	242A27040X
37	69.70	54.96	63.50 ^{+0.13}	242A27050X

used for: D-SUB FILTER



NOTES: (b)

- METALSHELLS: STEEL; min. 315µin TIN over 40-80µin NICKEL
- INSULATORS: HIGH TEMPERATURE PLASTIC UL 94 V-0, BLACK
- SEALING COMPOUND: PUR; BLUE
- CONTACTS: COPPER ALLOY
PLATING: GOLD FLAKH over NICKEL
SOLDER CUP ACCEPTS CABLE AWG 20
- THREADED INSERTS: COPPER ALLOY; min. 200µin TIN over 80µin NICKEL
- COLLARS: COPPER ALLOY; min. 200µin TIN over 80µin NICKEL
- CAPACITANCE: 1300pF ±20%
- DIELECTRIC WITHSTANDING VOLTAGE: 424 VDC
- MAXIMUM TORQUE VALUE FOR THREAD: 6 in.LB
- CONNECTOR IS PART MARKED: PART-NO. CONEC ABC

Directive 2002/95/EC
„RoHS“
Compliant

APPROVAL # FREIGABE # DEBLOCAGE # AUTORIZACION # APPROVAL	APPROVAL # FREIGABE # DEBLOCAGE # AUTORIZACION # APPROVAL
CUSTOMER APPROVAL DATE:	
NAME:	TITLE:
COMPANY NAME:	
APPROVAL # FREIGABE # DEBLOCAGE # AUTORIZACION # APPROVAL	

THIS DRAWING MAY NOT BE COPIED OR REPRODUCED IN ANY WAY, AND MAY NOT BE PASSED ON TO A THIRD PARTY, WITHOUT WRITTEN PERMISSION. OWNERSHIP AND COPYRIGHT OF CONEC GmbH DO NOT ALTER CAD DRAWING BY HAND

rev.	description	date	name	tolerance
2 x b	Ä3813	16.11.2010	K.H.	
a	Origin			

scale:	2:1
material:	SEE NOTES
title:	D-SUB FILTER FEMALE 9-37pos. SOLDER CUP with threaded insert
dwg no:	AutoCAD 2004
	DIN-A
	3
	sh: 1/1
part no:	SEE TABLE



Mouser Electronics

Authorized Distributor

Click to View Pricing, Inventory, Delivery & Lifecycle Information:

[CONEC:](#)

[242A27020X](#)