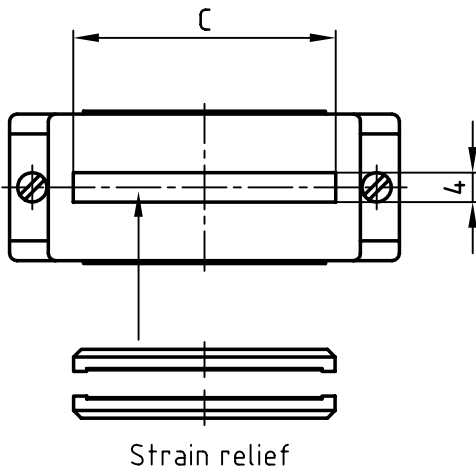
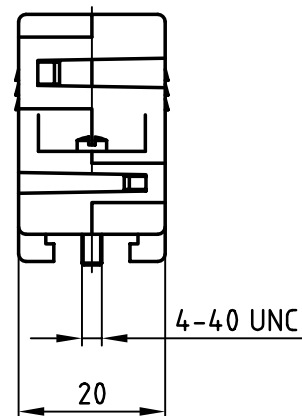
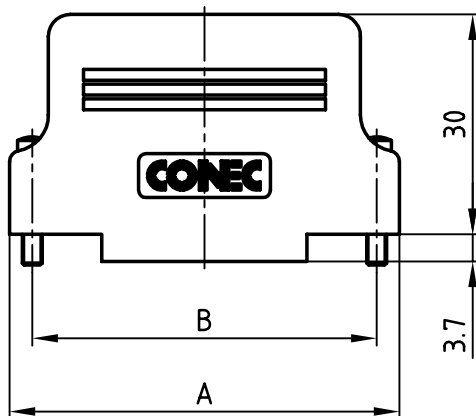


used for: D-Subminiature



No. of pos.	A	B	C	Part No.
25	53.2	47.0	35.8	165X14029X
37	69.7	63.5	50.5	165X14039X

APPROVAL # FREIGABE # DEBLOCAGE # AUTORIZACION # APPROVAL

CUSTOMER APPROVAL DATE:

NAME: TITLE:

COMPANY NAME:

APPROVAL # FREIGABE # DEBLOCAGE # AUTORIZACION # APPROVAL

Directive 2002/95/EC  
"RoHS"  
Compliant

- NOTES:**
- HOOD: ABS V0; GREY
  - STRAIN RELIEF: ABS V0; GREY
  - SCREWS: BRASS; NICKEL PLATED

THIS DRAWING MAY NOT BE COPIED OR REPRODUCED IN ANY WAY, AND MAY NOT BE PASSED ON TO A THIRD PARTY WITHOUT WRITTEN PERMISSION.  
OWNERSHIP AND COPYRIGHT OF CONEC GmbH  
DO NOT ALTER CAD DRAWING BY HAND

rev.	description	date	name



tolerance	scale: 1:1
dim. in mm	material: SEE NOTES
2004 date name	<b>PLASTIC HOOD</b> 25pos. + 37pos. for flat cable IDC D-Subminiature
drawn 05.01. Lehmenkühler	
appd. 05.01. Kühle	
norm	
d-old	
	dwg no: AutoCAD 2000
	16K1A1074
	part no: SEE TABLE
	DIN-A 4
	sh: 1/1

# Mouser Electronics

Authorized Distributor

Click to View Pricing, Inventory, Delivery & Lifecycle Information:

[CONEC:](#)

[165X14029XE](#)