

DIO1567

Dual DPDT SIM Card Analog Switch

Features

- Switch Type: DPDT(2X)
- Voltage Operation: 1.65V to 4.3V
- Low On Resistance: 0.65Ω at SIM path;
2.7Ω at other path
- Bandwidth >200MHz
- 10pF C_{ON} at DAT/CLK/RST path
- Low power consumption
- Packaged: 16-Lead DQFN and
16-Lead TQFN
- 8kV HBM ESD

Descriptions

The DIO1567 is a dual Double-Pole, Double-Throw (DPDT) analog switch targeted at dual SIM card multiplexing. DIO1567 operates from a single 1.65V to 4.3V supply and features an ultra-low on resistance of 0.65Ω at SIM path to ensure minimal voltage drop in other path. This device is fabricated with sub-micron CMOS technology to achieve fast switching speeds and is designed for break-before-make operation.

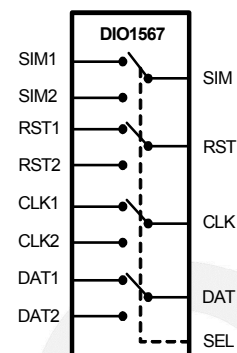
DIO1567 features very low quiescent current even when the control voltage is lower than the V_{CC} supply. This allows mobile handset applications direct interface with the baseband processor general-purpose I/Os.

DIO1567 provides two packages with Green DQFN-16 and TQFN-16.

Applications

- Cell-Phone/PDA
- Set-Top Box
- Digital Camera
- Notebook
- TV/ LCD Monitor

Block Diagram



Ordering Information

Order Part Number	Top Marking		T _A	Package	
DIO1567LN16	D15	Green	-40 to +85°C	DQFN-16	Tape & Reel, 3000
DIO1567CL16	D1567	Green	-40 to +85°C	TQFN-16	Tape & Reel, 3000

Pin Assignment

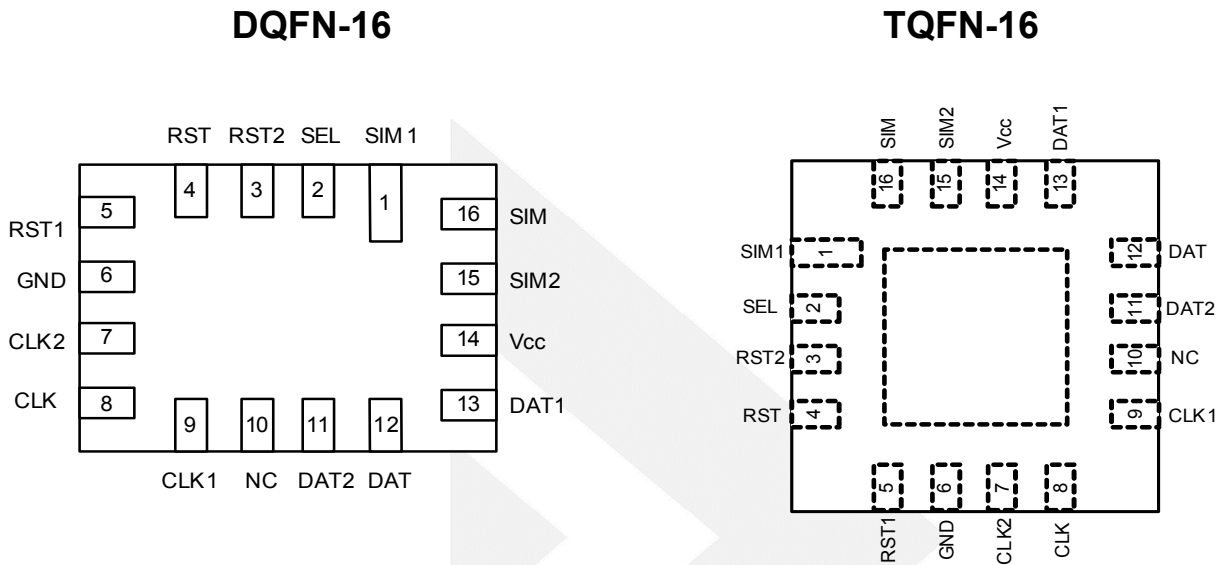


Figure 1 Top View

Pin Descriptions

Pin Name	Description
DATn, RSTn, CLKn	Data Input
SIMn	SIM Input
SIM, DAT, CLK, RST	Common Port
SEL	Select
V _{cc} /GND	Power

Truth Table

SEL	Function
L	SIM=SIM1, DAT=DAT1, RST=RST1, CLK=CLK1
H	SIM=SIM2, DAT=DAT2, RST=RST2, CLK=CLK2



DIO1567

Absolute Maximum Ratings

Stresses beyond those listed under "Absolute Maximum Rating" may cause permanent damage to the device. These are stress ratings only and functional operation of the device at these or any other condition beyond those indicated in the operational sections of the specifications is not implied. Exposure to absolute maximum rating conditions for extended periods may affect device reliability

Symbol	Parameter	Min.	Max.	Unit
V _{CC}	Supply Voltage	-0.5	+5.25	V
V _S	Switch Voltage	-0.5	V _{CC} +0.3	V
V _{IN}	DC input I/O Voltage	-0.5	V _{CC}	V
I _{IK}	DC input Diode current	-50		mA
I _{OUT}	DC output current (DAT, CLK, RST)		150	mA
I _{SIM}	DC output current (SIM)		350	mA
T _{STG}	Storage Temperature	-65	+150	°C
ESD	HBM, JEDEC: JESD22-A114		8	kV

Recommend Operating Conditions

The Recommended Operating Conditions table defines the conditions for actual device operation. Recommended Operating conditions are specified to ensure optimal performance to the datasheet specifications. DIOO does not Recommend exceeding them or designing to Absolute Maximum Ratings.

Symbol	Parameter	Min.	Max.	Unit
V _{CC}	Supply voltage	1.65	4.3	V
V _{IN}	Control input voltage (1S,2S)	0	V _{CC}	V
V _S	Switch I/O voltage	0	V _{CC}	V
I _{OUT}	DC output current (DAT, CLK, RST)		50	mA
I _{SIM}	DC output current (SIM)		150	mA
T _A	Operating Temperature	-40	85	°C



DIO1567

DC Electrical Characteristics

All typical value is at 25°C unless otherwise specified.

Symbol	Parameter	Conditions	V _{CC} (V)	Temp.	Min.	Typ.	Max.	Unit
V _{IH}	Input voltage high		4.3	-40 to 85°C	1.4			V
			2.7		1.2			
V _{IL}	Input voltage low		4.3	-40 to 85°C			0.7	V
			2.7				0.5	
I _{IN}	Control input leakage	V _{SW} =0 to V _{CC}	4.3	25°C	-1		1	nA
I _{NC(OFF)} I _{NO(OFF)}	Off Leakage Current	RSTn, DATn, CLKn, SIMn=0.3 or 3.6V	4.3	25°C	-80		80	nA
I _{NC(ON)} I _{NO(ON)}	ON Leakage Current	RSTn, DATn, CLKn, SIMn=0.3 or 3.6V	4.3	25°C	-80		80	nA
I _{CC}	Quiescent supply current	V _{IN} =0V to V _{CC} , I _{OUT} =0V	4.3	25°C		5		nA
R _{OND}	RST, DAT, CLK, Resistance	I _{OUT} =-20mA, V _{SW} =2.3V	2.7	-40 to 85°C		2.7		Ω
R _{ONS}	SIM Resistance	I _{OUT} =-100mA, V _{SW} =2.3V	2.7	-40 to 85°C		0.65		Ω
ΔR _{ON}	Delta On Resistance	V _{SW} =0V, I _{ON} =-20mA	2.7	-40 to 85°C		0.2		Ω
R _{FLAT(ON)}	On Resistance Flatness	I _{OUT} =100mA, nB ₀ , nB ₁ =0 to V _{CC}	2.7	-40 to 85°C			0.8	Ω
I _{CCCT}	Increase in I _{CC} Current Per Control Voltage and V _{CC}	V _{IN} =1.8V,	4.3	25°C		7		μA
		V _{IN} =2.6V	4.3	25°C		3		μA

Capacitance

Symbol	Parameter	Conditions	Temp.	Min.	Typ.	Max.	Unit
C _{IN}	Control Pin Input Capacitance		-40 to 85°C		2		pF
C _{COND}	DAT, CLK, RST On Capacitance	f=1MHz	-40 to 85°C		10		pF
C _{ONS}	SIM On Capacitance	f=1MHz	-40 to 85°C		100		pF
C _{OFFD}	DAT, CLK, RST Off Capacitance	f=1MHz	-40 to 85°C		5		pF
C _{OFFS}	SIM Off Capacitance	f=1MHz	-40 to 85°C		30		pF



DIO1567

Dual DPDT SIM Card Analog Switch

AC Electrical Characteristics

All typical value are for $V_{CC} = 3.3V$ at $25^{\circ}C$ unless otherwise specified.

Symbol	Parameter	Conditions	$V_{CC}(V)$	Temp.	Min.	Typ.	Max.	Unit
t_{OND}	Turn-On time (DAT, CLK, RST)	$R_L=50\Omega, C_L=35pF,$ $V_{SW}=1.5V$	2.7 to 3.6	-40 to $85^{\circ}C$		57		ns
t_{OFFD}	Turn-Off time (DAT, CLK, RST)	$R_L=50\Omega, C_L=35pF,$ $V_{SW}=1.5V$	2.7 to 3.6	-40 to $85^{\circ}C$		55		ns
t_{ONS}	Turn-On time (SIM)	$R_L=50\Omega, C_L=35pF,$ $V_{SW}=1.5V$	2.7 to 3.6	-40 to $85^{\circ}C$		57		ns
t_{OFFS}	Turn-Off time (SIM)	$R_L=50\Omega, C_L=35pF,$ $V_{SW}=1.5V$	2.7 to 3.6	-40 to $85^{\circ}C$		55		ns
t_{BBMD}	Break-Before-Make	$R_L=50\Omega, C_L=35pF,$ $V_{SW}=1.5V$	2.7 to 3.6	$25^{\circ}C$		38		ns
t_{PD}	Propagation delay (DAT, CLK, RST)	$R_L=50\Omega, C_L=35pF$	3.3	$25^{\circ}C$			0.5	ns
OIRR	.Off Isolation (DAT, CLK, RST)	$R_L=50\Omega, f=10MHz,$	2.7 to 3.6	$25^{\circ}C$		-52		dB
Xtalk	Non-Adjacent Channel Crosstalk (DAT, CLK, RST)	$R_L=50\Omega, f=10MHz$	2.7 to 3.6	$25^{\circ}C$		-75		dB
BW	-3dB bandwidth (DAT, CLK, RST)	$R_L=50\Omega, C_L=5pF,$	2.7 to 3.6	$25^{\circ}C$		200		MHz
	-3dB bandwidth (SIM)	$R_L=50\Omega, C_L=5pF,$	2.7 to 3.6	$25^{\circ}C$		37		MHz

Specifications subject to change without notice.

Test Diagrams

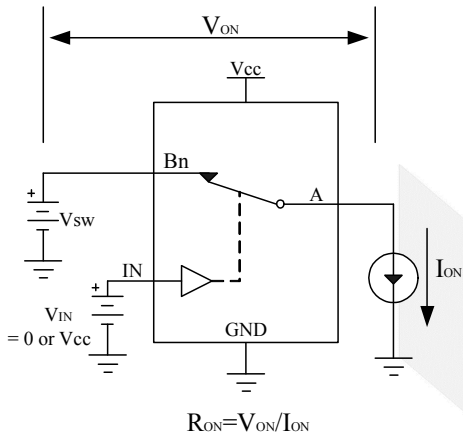


Figure 2 Switch on resistor

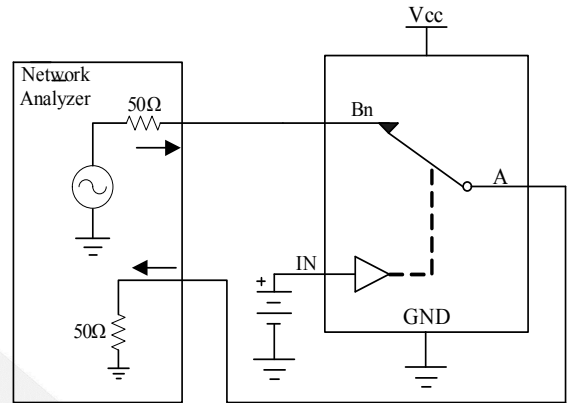


Figure 5 Bandwidth

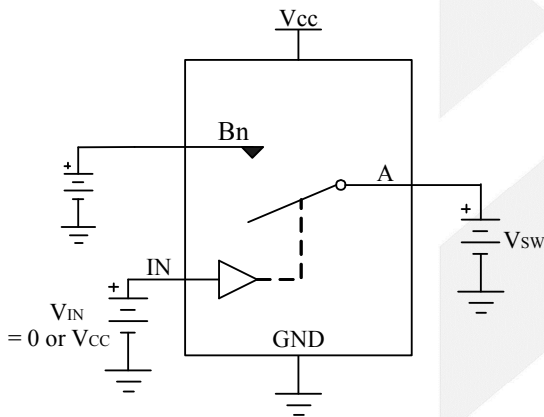


Figure 3 Switch Off Leakage

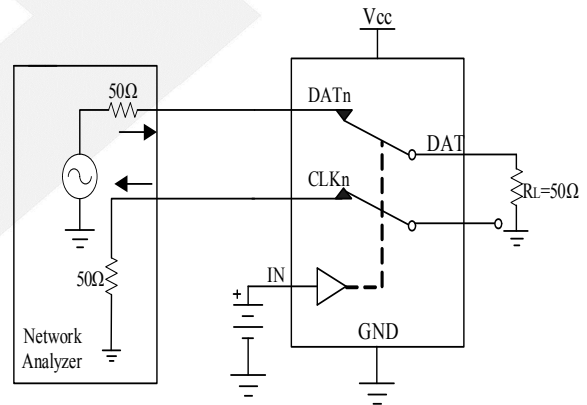


Figure 6 Channel-to-channel crosstalk

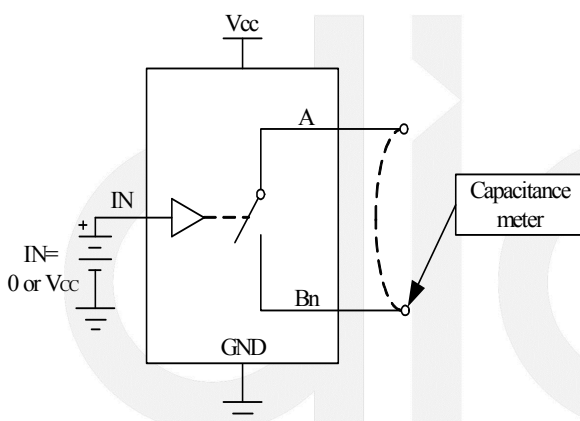


Figure 4 On/off Capacitance test

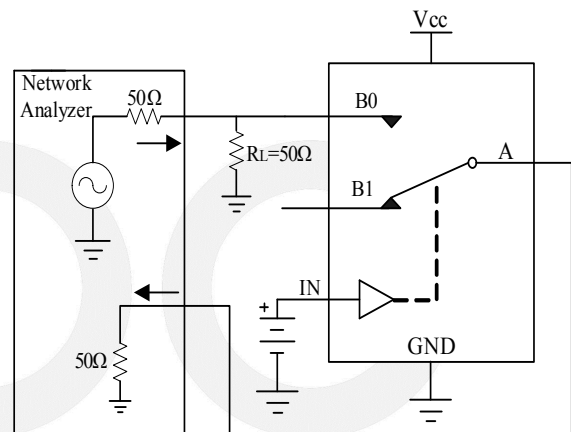


Figure 7 Off-isolation

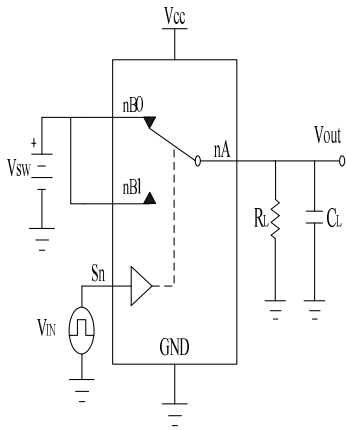


Figure 8 Break-Before-Make

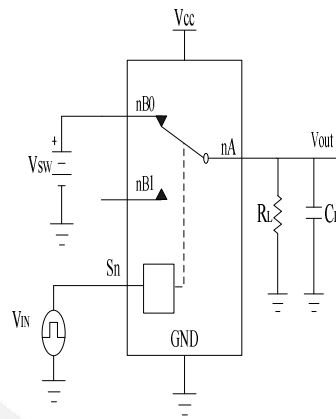
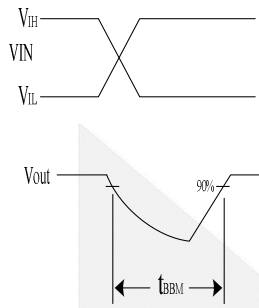
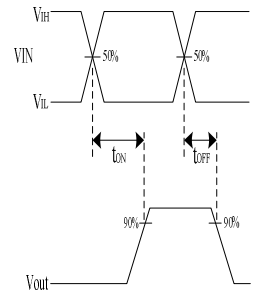


Figure 9 Turn-On/Turn-Off



dioo

CONTACT US

Dioo is a professional design and sales corporation for high-quality and performance analog semiconductors. The company focuses on industry markets, such as, cell phone, handheld products, laptop, and medical equipment and so on. Dioo's product families include analog signal processing and amplifying, LED drivers and charger IC. Go to <http://www.dioo.com> for a complete list of Dioo product families.

For additional product information, or full datasheet, please contact with our Sales Department or Representatives.

A large, light gray watermark of the Dioo logo is centered on the page. It consists of a stylized arrow pointing right above the word "dioo" in a lowercase, sans-serif font.

Mouser Electronics

Authorized Distributor

Click to View Pricing, Inventory, Delivery & Lifecycle Information:

DIOO:

[DIO1567CL16](#) [DIO1567LN16](#)