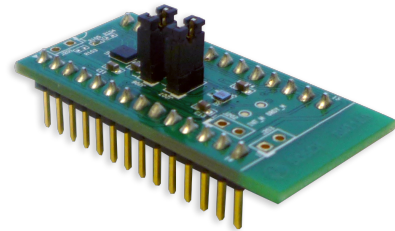


BMI160 Shuttle Board

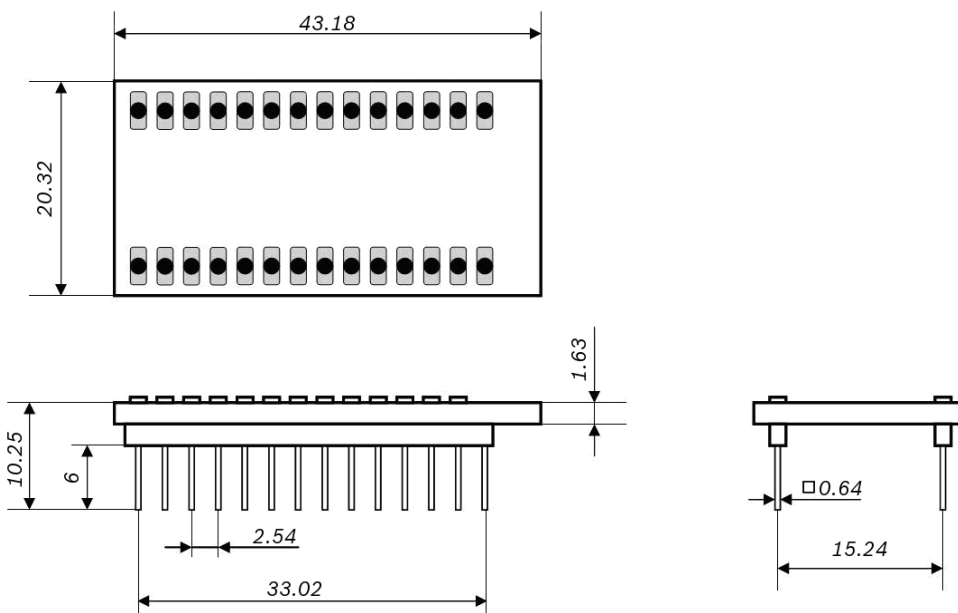
GENERAL DESCRIPTION

The Bosch Sensortec shuttle board BMI160 is a PCB with an Inertial Measurement Unit (IMU) BMI160 and a geomagnetic sensor BMM150 mounted on it.

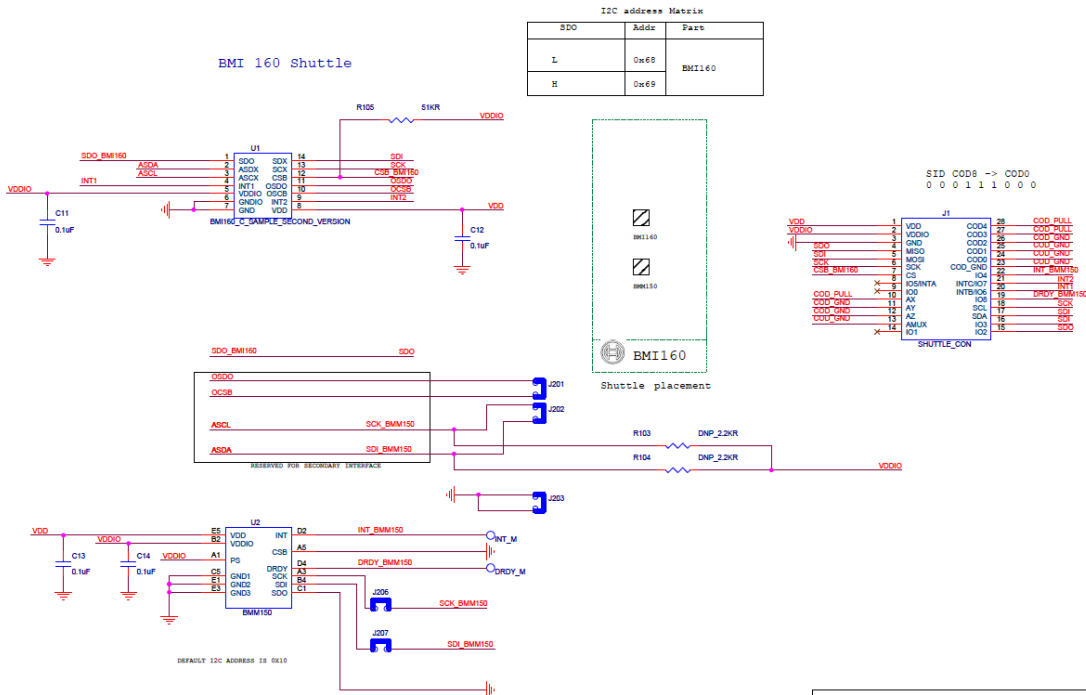
It allows easy access to the sensors pins via a simple socket. As all Bosch Sensortec sensor shuttle boards have identical footprint, they can be plugged into Bosch Sensortec's advanced development tools (e.g. the Development Board or Application Board). Of course, the BMI160 shuttle board can also be used for customer's own implementations.



Note: Product photo may differ from real product's appearance.



Shuttle board outline dimensions (all dimensions in mm)



BMI160 shuttle board electrical layout

DELIVERABLES

- ▶ BMI160 shuttle board

Headquarters
Bosch Sensortec GmbH
 Gerhard-Kindler-Strasse 9
 72770 Reutlingen · Germany
 Telephone +49 7121 3535 900
 Fax +49 7121 3535 909
www.bosch-sensortec.com

Mouser Electronics

Authorized Distributor

Click to View Pricing, Inventory, Delivery & Lifecycle Information:

[Bosch:](#)

[BMI160 Shuttle Board](#)