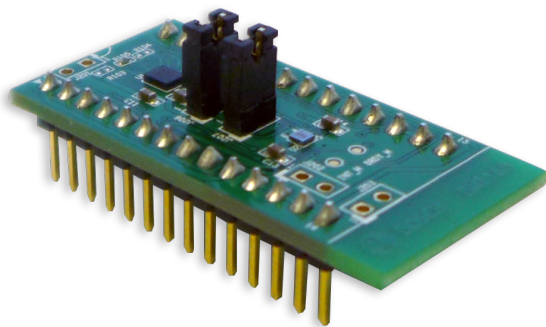


BMI160 Shuttle Board

Bosch Sensortec



BOSCH
Invented for life

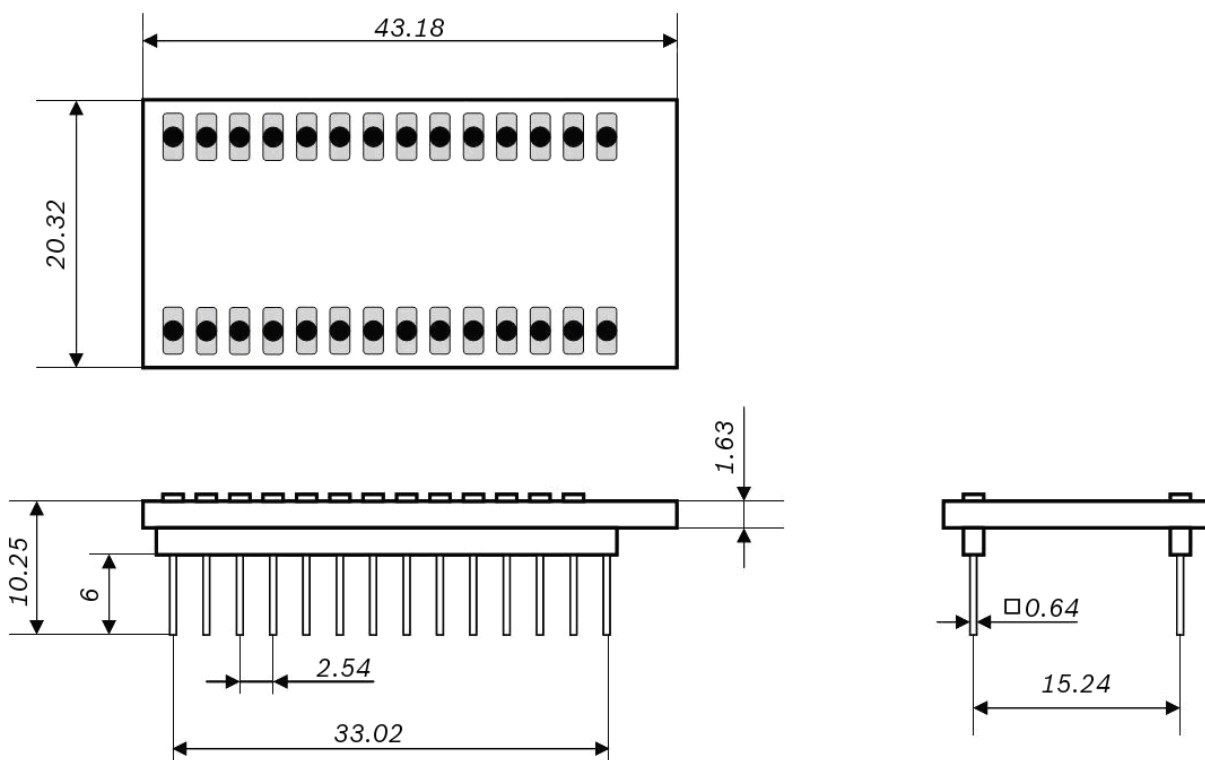


Description

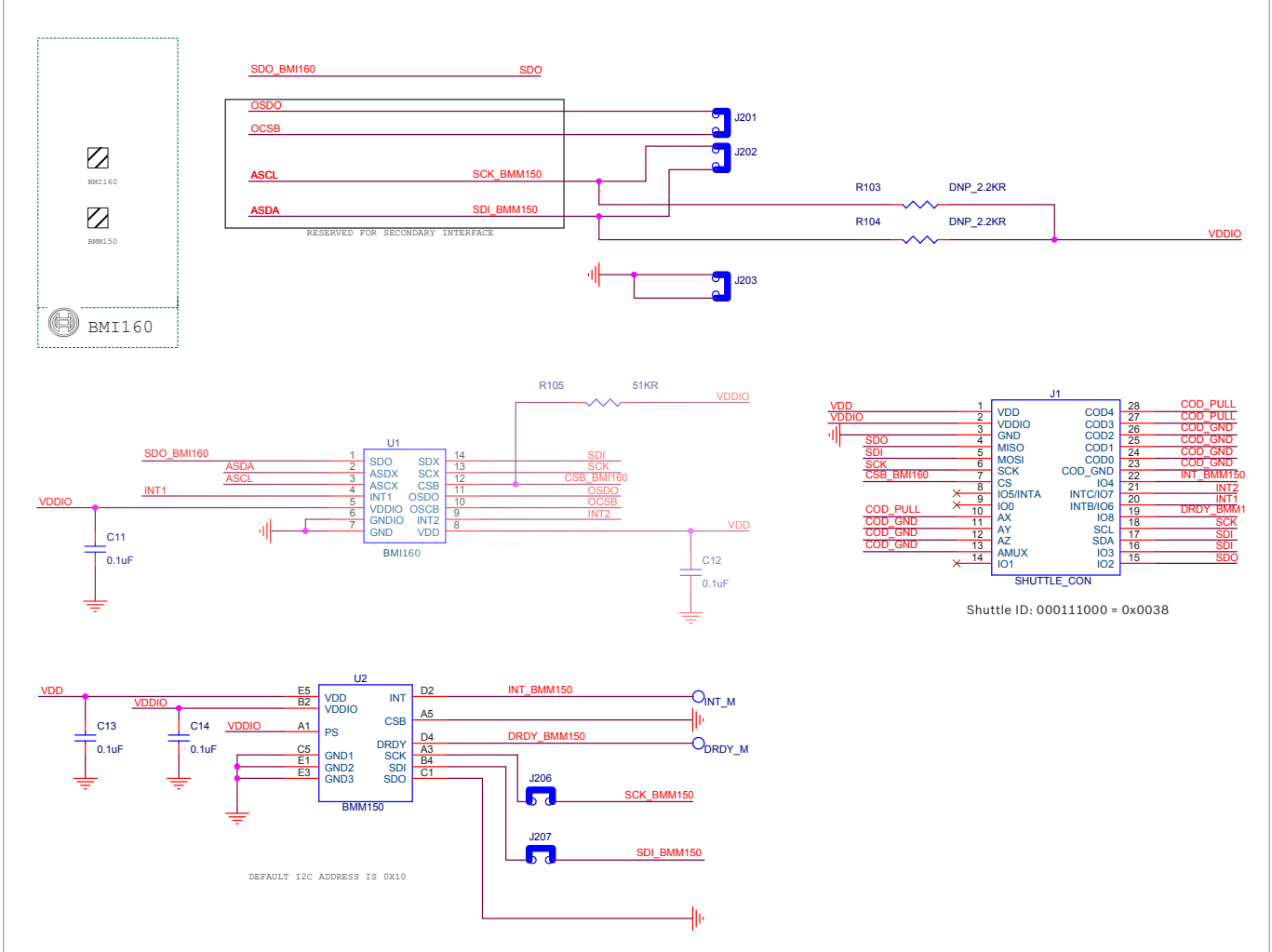
The Bosch Sensortec shuttle board BMI160 is a PCB with an Inertial Measurement Unit (IMU) BMI160 and a geomagnetic sensor BMM150 mounted on it. It allows easy access to the sensors pins via a simple socket. As all Bosch Sensortec sensor shuttle boards have identical footprint, they can be plugged into Bosch Sensortec's advanced development tools (e.g. the Development Board or Application Board). Of course, the BMI160 shuttle board can also be used for customer's own implementations.

Note: Product photo may differ from real product's appearance

Shuttle board outline dimensions (all dimensions in mm)



BMI160 shuttle board electrical layout



Deliverables

- BMI160 shuttle board

Headquarters
Bosch Sensortec GmbH

Gerhard-Kindler-Strasse 9
72770 Reutlingen · Germany
Telephone +49 7121 3535 900
Fax +49 7121 3535 909
contact@bosch-sensortec.com
www.bosch-sensortec.com

Mouser Electronics

Authorized Distributor

Click to View Pricing, Inventory, Delivery & Lifecycle Information:

Bosch:

[0330.SB2.187](#) [BMI160 Shuttle Board](#)