



## AB-FA Flexible Tape Light Series

Flexible Tape Light in 12V/24V DC - Single color, RGB, and RGBW options



### Features:

- UL listed
- IP20 no surface coating
- Top emitting, wide viewing angle 120°
- Storage temperature -40°C~+70°C
- Operating temperature -20°C~+55°C
- Environment humidity 40-70%RH

### Applications:

- Conference/meeting rooms
- Commercial/ residential buildings
- Entertainment lighting
- Hospitals
- Hotels



## AB-FA Flexible Tape Light Series

Part numbering system:

**AB – F A V V V K K – L L L W L – X A 1**

**V V V** – Voltage (volt) (012=12V, 024=24V)

**K K** – Color/CCT (27 – 2700K, 30 – 3000K, 40 – 4000K, 50 – 5000K, 63 – 6300K, 65 – 6500K CCT, RD – Red, GR – Green, BL – Blue, AM – Amber, 06 – RGB, 08 – RGBW)

**L L L** – Light strip length (unit: inch);

Length selection of the strip:

	<u>12V</u>	<u>24V</u>
Single Color	Multiple of 25mm	Multiple of 50mm
RGB/RGBW	Multiple of 50mm	Multiple of 100mm

**W L** – Wire Lead length (unit: inch); standard length is 12 inches; 00- No wire, no end cap

**X** – CRI (8 – 80, 9 – 90, X – not applicable)

**Ax** – Version (Internal Code)

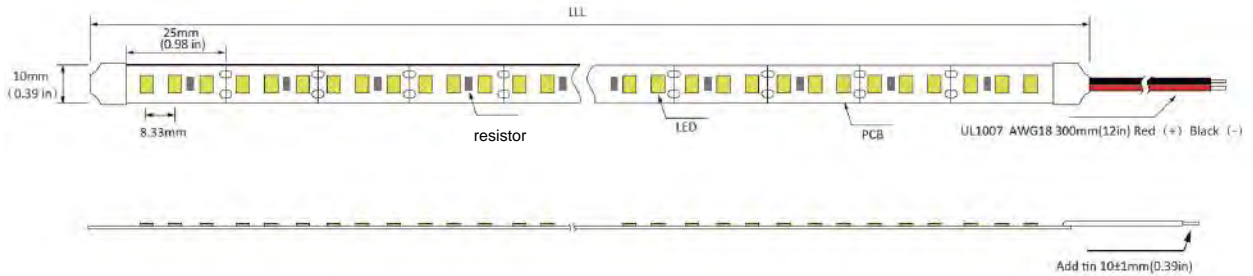
For example, part number below calls out a flexible tape light with IP20 rating, 24V DC in 3000K CCT, CRI80, 197 inches long with 12 inches wire lead.

**AB – F A 0 2 4 3 0 – 1 9 7 1 2 – 8 A 1**

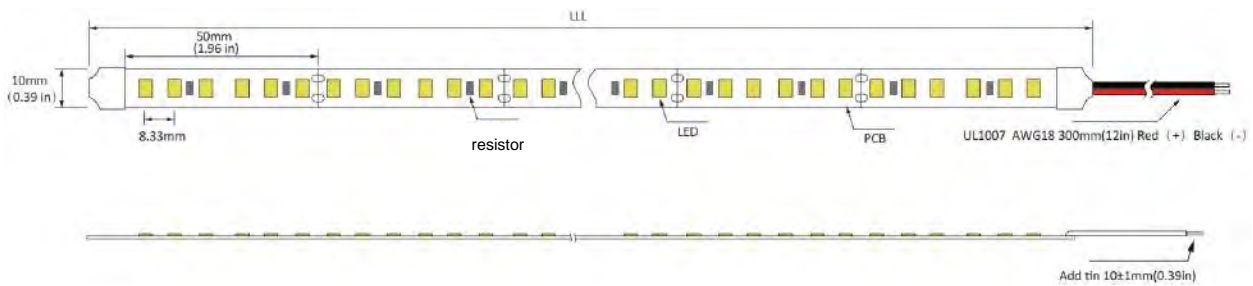
Outline Dimension:

Single Color:

DC 12V:

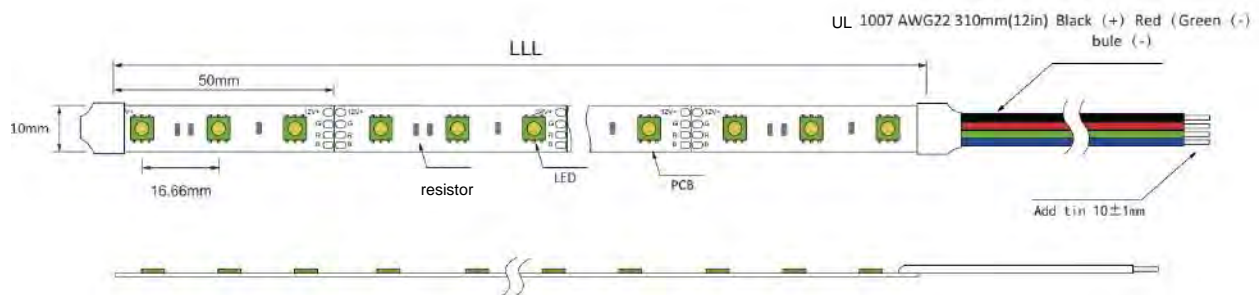


DC 24V:

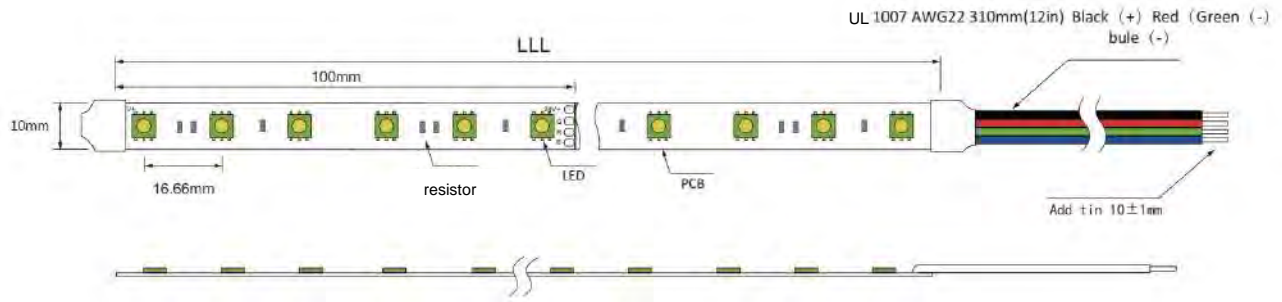


RGB Color:

DC 12V:

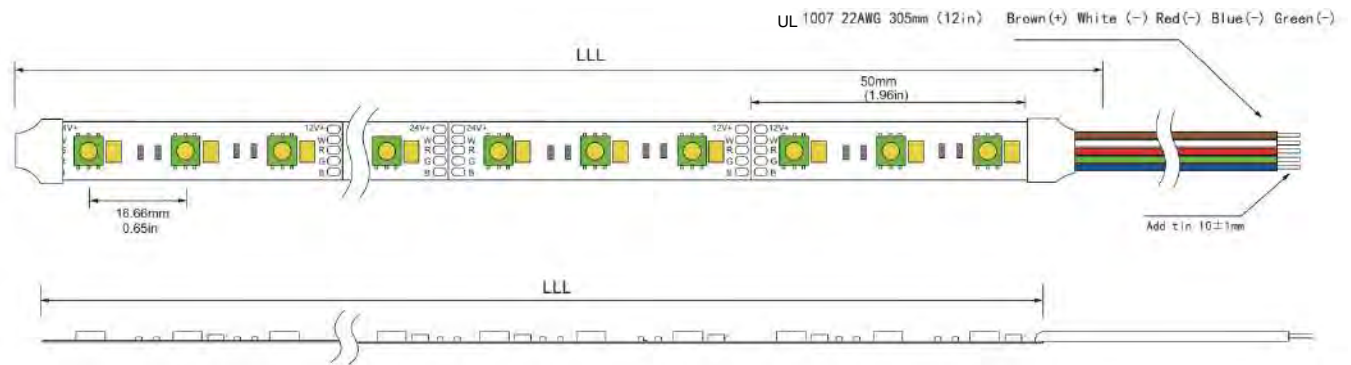


DC 24V:

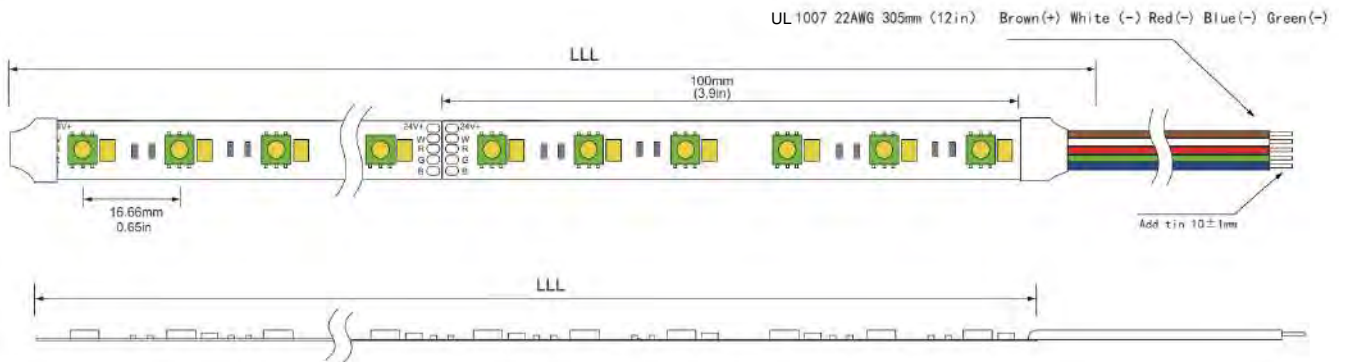


RGBW Color:

DC 12V:



DC 24V:



1,2,

Cutting Mark is imprinted on the strip:

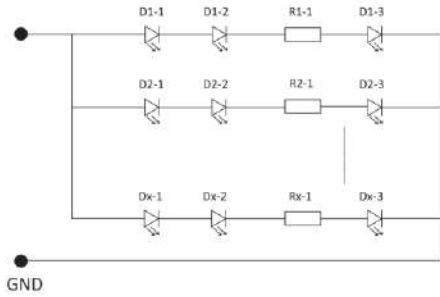
	<u>12V</u>	<u>24V</u>
Single Color	Every 25mm	Every 50mm
RGB/RGBW	Every 50mm	Every 100mm

1. Heat shrinks on both ends.
2. Light strip comes with rear adhesive, 3M 300LSE.

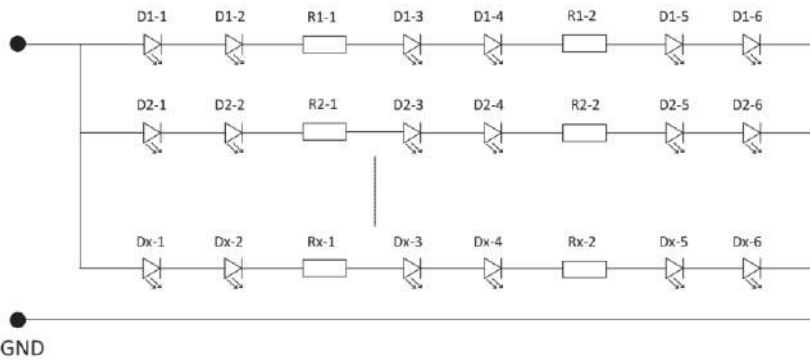
Schematic Diagram:

Single Color:

DC 12V:

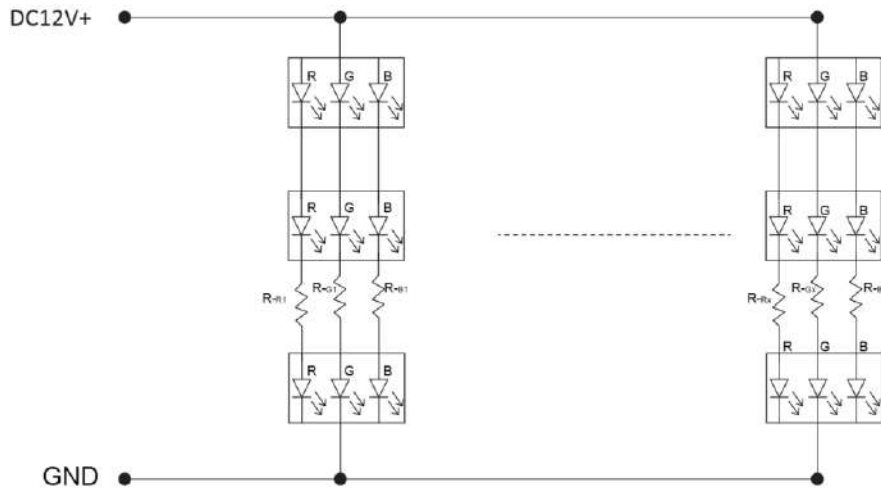


DC 24V:

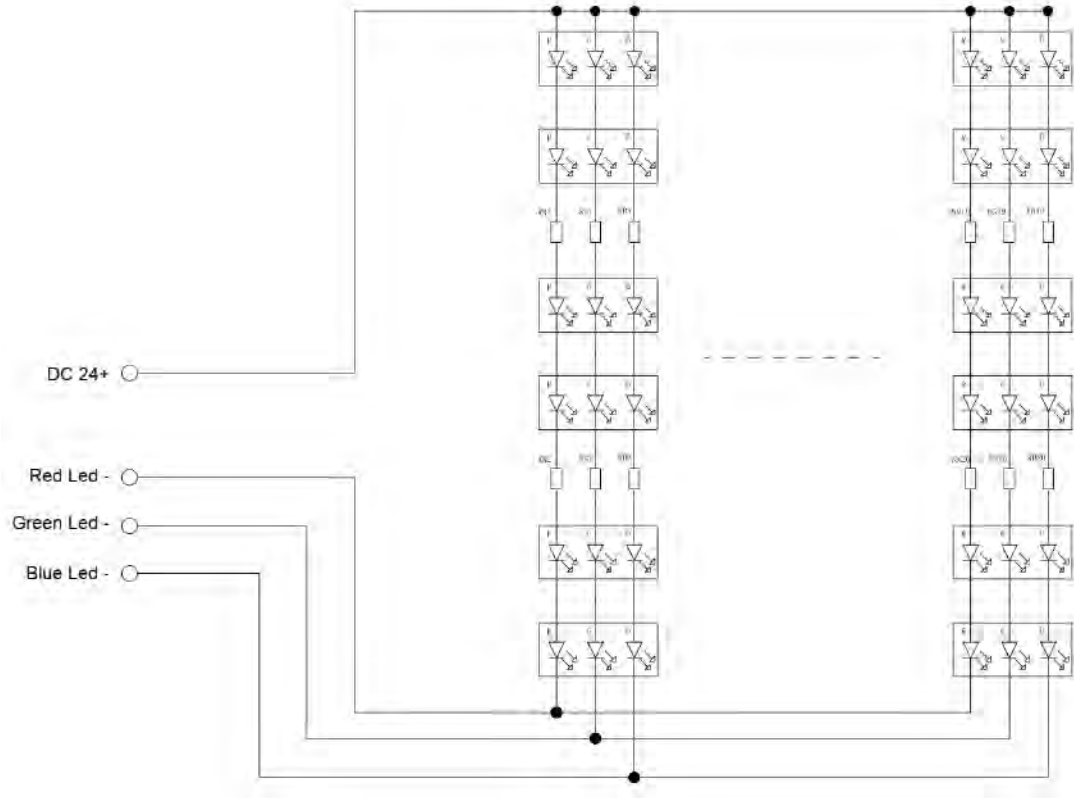


RGB Color:

DC 12V:



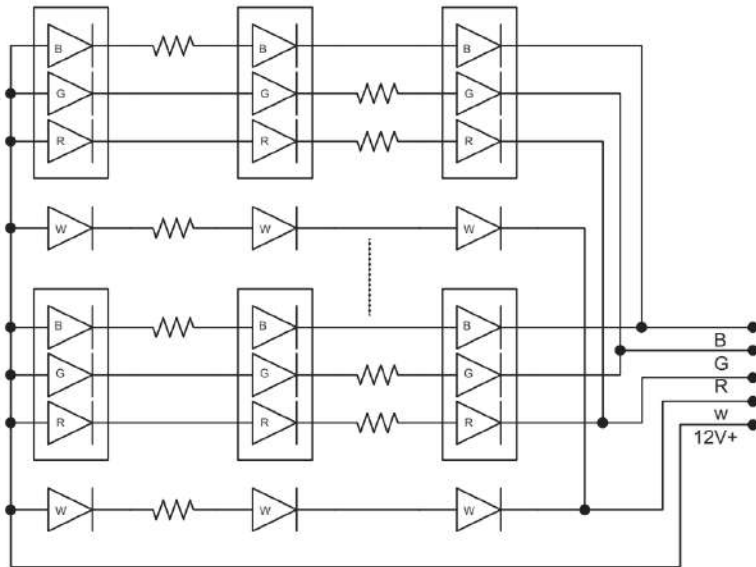
DC 24V:



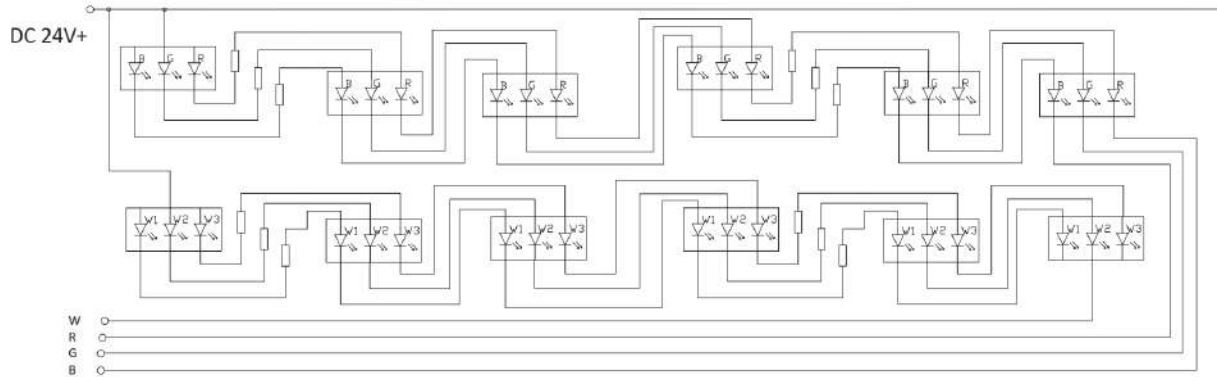
RGBW Color:

DC 12V:

DC12V+



DC 24V:



Characteristics:

Table 1. Configurations for AB-FA Flexible Tape Light Series.

OPERATING VOLTAGE (V)	CURRENT (A/m)	POWER (W/m)	LENGTH <sup>3</sup> m (inch)	LED COUNT/m
12	White/Green/Blue: 0.66	8	5 (197)	120
	Red/Amber: 0.83	10		60
	RGB: 0.83	10		60 RGB + 60 W
	RGBW: 1.18	14.2		
24	White/Green/Blue: 0.33	8	5 (197)	120
	Red/Amber: 0.41	10		60
	RGB: 0.41	10		60 RGB + 60 W
	RGBW: 0.59	14.2		

<sup>3</sup> Standard length: 5m or 10m/roll, contact [aboc@americanbrightled.com](mailto:aboc@americanbrightled.com) for custom length

## AB-FA Flexible Tape Light Series

**Table 2. Product performance of AB-FA Flexible Tape Light Series at T=25 degree C.**

PART NUMBER	CCT/ WAVELENGTH	LUMINOUS FLUX <sup>4</sup> (lm/m)	LUMINOUS EFFICACY (lm/W)	CRI
<b>AB-FA012KK<sup>5</sup>-197WL<sup>6</sup>-XA1</b> <b>AB-FA024KK-197WL -XA1</b>	30: 3000K	720	90	>80
	40: 4000K			
	63: 6300K			
	RD: Red 620-625nm	250	25	/
	GR: Green 520-525nm	560	70	/
BL: Blue 440-450nm	168	21	/	
<b>AB-FA01206-197WL-XA2</b> <b>AB-FA02406-197WL-XA2</b>	AM: Amber 558-592nm	190	19	/
	RD: Red 625-635nm	90	25	/
	GR: Green 520-535nm	248	73	/
	BL: Blue 465-475nm	56	18	/
<b>AB-FA01208-197WL-8Ax<sup>7</sup></b> <b>AB-FA02408-197WL-8Ax</b>	RD: Red 620-630nm	81	/	/
	GR: Green 520-525nm	223	/	/
	BL: Blue 460-475nm	50.2	/	/
	27: 2700K	334	/	>80
30: 3000K				
40: 4000K				
50: 5000K				
65: 6500K				

<sup>4</sup> Luminous flux ±10% is allowed.

<sup>5</sup> KK – Color/CCT (27 – 2700K, 30 – 3000K, 40 – 4000K, 50 – 5000K, 65 – 6500K CCT, 06 – RGB, 08 – RGBW)






<sup>6</sup> WL – Wire lead length (12 – 12", 00 – 0" no end cap, no wire lead)

<sup>7</sup> x – 1- 3000K CCT, 2-4000K CCT, for other color temperature, please contact [aboc@americanbrightled.com](mailto:aboc@americanbrightled.com).

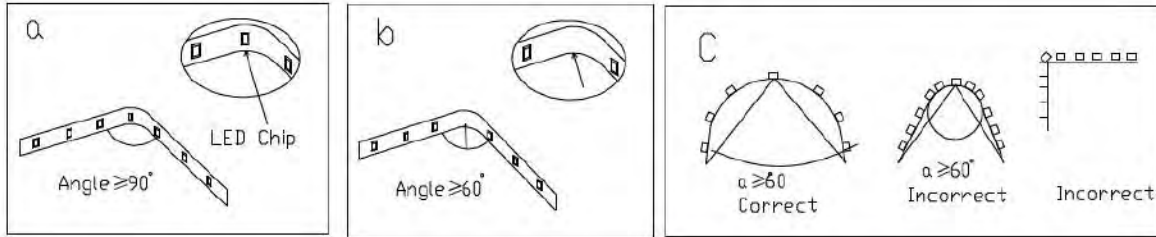


## Optional Mounting Accessories:

Table 3. Mounting Accessories

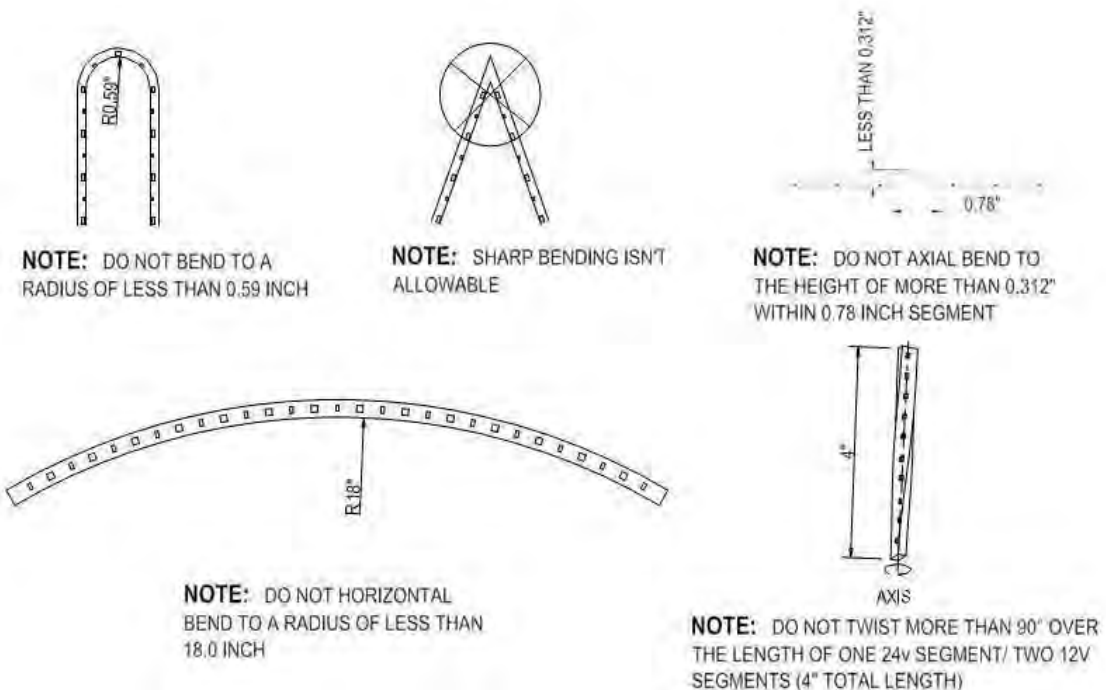
Item#	Size (mm)	Description	Compatible to	Image
AB-M-SS-10-12-L20	20x10x13	Stainless mounting bracket	AB-FF series	
AB-M-SI-RBLL-06	18.3x6x6	Silicon mounting bracket	AB-FA series AB-FC series AB-FD series	
AB-M-AL-20-09-1000	5000x15x10	Aluminum Channel	AB-FB series	
AB-M-SS-18-09-L20	20x18x10	Stainless mounting bracket	AB-FB series	
AB-M-SS-7-9-L7	7x6x12	Stainless mounting bracket	AB-FH series	

Installation Instructions:



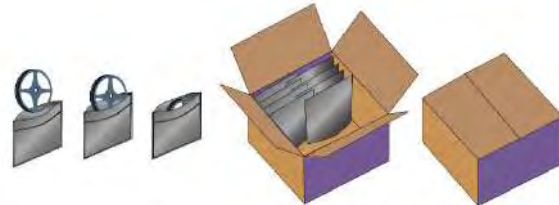
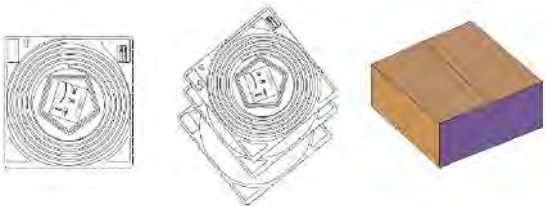
- a: use an angle greater or equal to 90 degrees when there is an LED chip on the corner while placing, the strip in a concave position (Angle  $\geq 90$ degree)
- b: use an angle greater or equal to 60 degrees when there is an LED chip on the corner while placing, the strip in a concave position (Angle  $\geq 60$ degree)
- c: use an angle greater or equal to 60 degrees when there is an LED chip on the corner while placing the strip in a concave position (Angle  $\geq 60$ degree) In the convex position the angle should not reach,90 degrees .See above diagram.

Maximum flexibility precaution:



Packaging:

Table 4. Packaging information

Model	QTY <sup>8</sup>	Image
AB-FA series AB-FC series AB-FD series	1 roll/per ESD bag 10 bags/carton	
AB-FB series AB-FF series AB-FH series	1 roll/per tray 10 trays/carton	

<sup>8</sup> Standard length: 5m or 10m/roll, 1 roll/bag. QTY/bag varies per different unit lengths.

**AB-FA Flexible Tape Light Series**

# Mouser Electronics

Authorized Distributor

Click to View Pricing, Inventory, Delivery & Lifecycle Information:

[American Bright LED:](#)

[AB-FA00506-19700-XA1](#) [AB-FA01206-19700-XA2](#) [AB-FA01206-19712-XA2](#) [AB-FA01208-19700-8A1](#) [AB-FA01208-19700-8A2](#) [AB-FA01208-19712-8A1](#) [AB-FA01208-19712-8A2](#) [AB-FA01230-19700-8A1](#) [AB-FA01230-19712-8A1](#) [AB-FA01240-19712-8A1](#) [AB-FA01250-19700-8A1](#) [AB-FA01250-19712-8A1](#) [AB-FA01265-19712-8A1](#) [AB-FA012AM-19712-XA1](#) [AB-FA012BL-19712-XA1](#) [AB-FA012GN-19712-XA1](#) [AB-FA02406-19712-XA2](#) [AB-FA02408-19712-8A1](#) [AB-FA02430-19712-8A1](#) [AB-FA02440-19712-8A1](#) [AB-FA02450-19700-8A1](#) [AB-FA02450-19712-8A1](#) [AB-FA02465-19700-8A1](#) [AB-FA02465-19712-8A1](#) [AB-FA024BL-19700-XA1](#) [AB-FA024BL-19712-XA1](#) [AB-FA01206-19712-XA2-12S](#) [AB-FA01208-19712-8A1-12S](#) [AB-FA01230-19712-8A1-12S](#) [AB-FA01240-19712-8A1-12S](#) [AB-FA01250-19712-8A1-12S](#) [AB-FA01265-19712-8A1-12S](#) [AB-FA02406-19712-XA2-12S](#) [AB-FA02430-19712-8A1-12S](#) [AB-FA02440-19712-8A1-12S](#) [AB-FA02465-19712-8A1-12S](#)