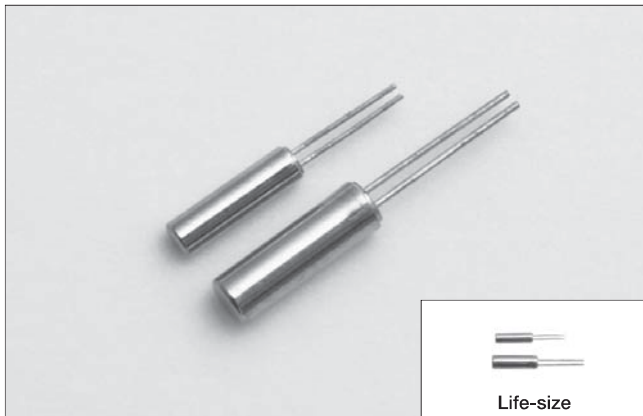


TUNING FORK CRYSTAL UNITS (Cylinder Type)

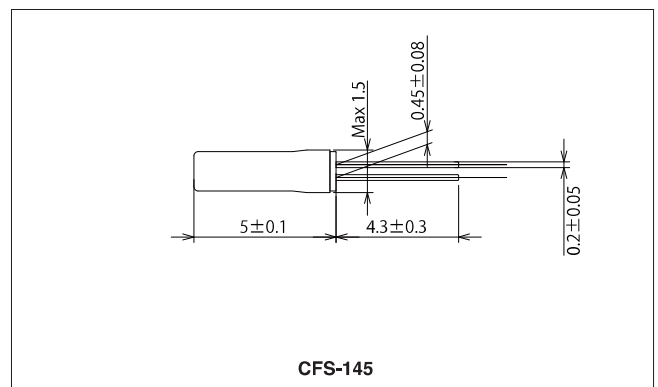
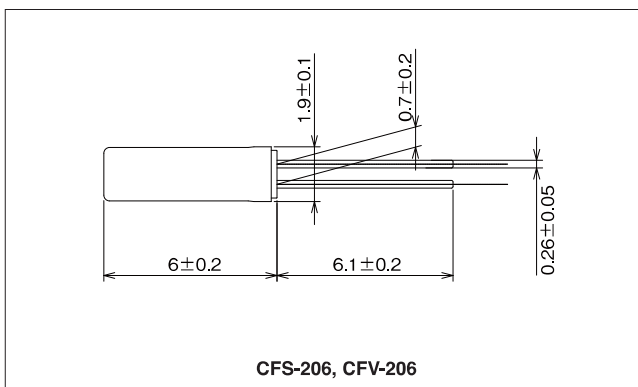
RoHS compliant / Pb free **CFS-206·CFS-145·CFV-206**



FEATURES

- Best suited for portable devices with low current consumption.
- For a clock source in digital equipment.

DIMENSION [mm]



STANDARD SPECIFICATIONS

Item	Model	CFS-206	CFS-145	CFV-206	Conditions
Nominal Frequency	f_0	32.768kHz		30kHz~100kHz	Need to contact us for the available frequency in CFV-206
Frequency Tolerance	$\Delta f/f_0$	$\pm 20\text{ppm}$		$\pm 30\text{ppm}$	at 25°C
Load capacitance	C_L	12.5pF	8.0pF	12.5pF	Need to specify your requirement
Operating Temperature Range	T_{OPR}	-20°C~+70°C			
Storage Temperature Range	T_{STR}	-40°C~+85°C			
Turnover Temperature	T_M	25°C \pm 5°C			
Temperature Coefficient	β	-0.034 \pm 0.006ppm/°C ²			
Motional (series) resistance	R_1	35K Ω Max.	40K Ω Max.	50K Ω Max.	at 25°C
Level of drive	D_L	1 μ W Max.			
Aging (first year)	$\Delta f/f_0$	$\pm 3\text{ppm}$ Max.		$\pm 5\text{ppm}$ Max.	25°C \pm 3°C
Shunt capacitance	C_0	1.2pF Typ.	1.00pF Typ.	0.8~1.7pF Typ.	Depend on frequency

Mouser Electronics

Authorized Distributor

Click to View Pricing, Inventory, Delivery & Lifecycle Information:

Citizen:

[CFS206-32.768KDZF-UB](#) [CFV206-36.000KAZF-UB](#) [CFV206-96.000KAZF-UB](#) [CFV206-40.000KAZF-UB](#) [CFV206-60.000KAZF-UB](#) [CFV206-100.000KAZF-UB](#) [CFV206-38.400KAZF-UB](#) [CFS206-32.768KDZB-UB](#) [CFV206-32.000KAZF-UB](#) [CFV206-76.800KAZF-UB](#) [CFV206-75.000KAZF-UB](#) [CFS145-32.768KDZF-UB](#) [CFS206-32.768KEZB-U](#) [CFV206-38.400KAZF-UT](#)