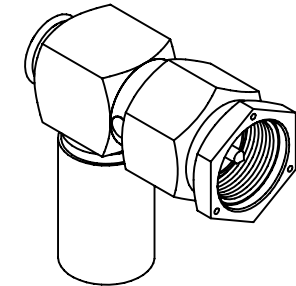
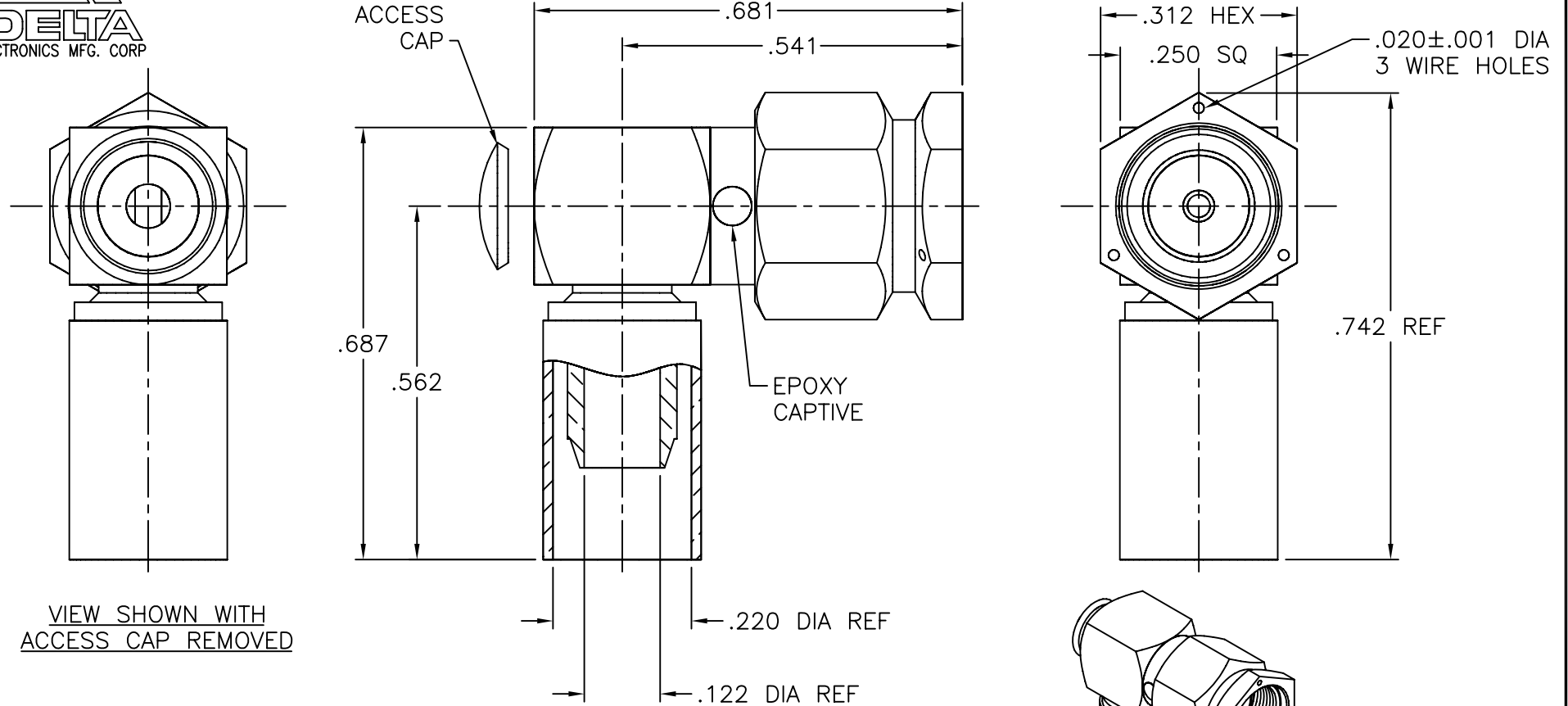




1307-013-K00E



ISOMETRIC VIEW

SCALE 2/1

M39012/56-3028

NOTES:

1. ASSEMBLED CONNECTOR INTERFACE IS DESIGNED IN ACCORDANCE WITH MIL-STD-348.
2. MATERIAL: BODY & COUPLING NUT - CORROSION RESISTANT STEEL PER ASTM A582  
CONTACT - BRASS PER ASTM B16.  
GASKET - SILICONE RUBBER PER A-A-59588  
INSULATORS - TEFLON PER ASTM D4894  
CRIMP SLEEVE - D.H.P. COPPER CDA ALLOY 122
3. FINISHES: BODY & COUPLING NUT - PASSIVATE PER AMS-QQ-P-35  
ACCESS CAP - NICKEL PLATE PER AMS-QQ-N-290  
CONTACT - GOLD PLATE PER ASTM B488  
CRIMP SLEEVE - GOLD PLATE PER ASTM B488

-	OUTLINE	5/13/08
AL.T.	REVISIONS	DATE

UNLESS OTHERWISE SPECIFIED: TOLERANCES: 3 PLACES = ±.005, 2 PLACES = ±.02, ANGLES = ±1/2°, SURFACE FINISH = 63

DELTA ELECTRONICS MFG. CORP. Beverly, MA 01915				
TITLE: SMA RIGHT ANGLE CRIMP PLUG FOR RG-142B/U, 223/U, AND 400/U CABLE				
Drawn by BJM 5/13/08	Scale 4/1	Ckd. by MR	Engr Appd MR	FILE NAME: 1307013K00E-000T

THESE DRAWINGS AND SPECIFICATIONS ARE THE PROPERTY OF DELTA ELECTRONICS MFG CORP. AND SHALL NOT BE REPRODUCED, OR COPIED OR USED AS THE BASIS FOR THE MANUFACTURE OR SALE OF APPARATUS OR DEVICES WITHOUT THEIR EXPRESS WRITTEN CONSENT.

CODE IDENT.-00795 1307-013-K00E

# Mouser Electronics

Authorized Distributor

Click to View Pricing, Inventory, Delivery & Lifecycle Information:

[Delta Electronics Mfg Corp:](#)

[1307013K00E-000](#)