

VIA AMOS-3005

Ultra-compact fanless system for embedded industrial applications ideally suited for demanding environments



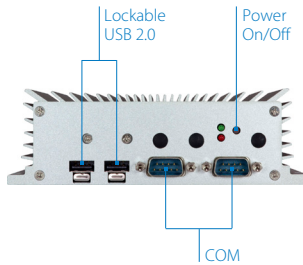
Features

- Ultra compact, ruggedized form factor with multiple wall/DIN Rail/VESA mounting solutions
- High-performance fanless 1.2GHz VIA Eden® X4 processor
- DX11 graphics with MPEG-2/WMV9/VC1/H.264 decoding acceleration
- Rich I/O feature set including lockable USB, RS-232/422/485, and GPIO
- Support for dual independent VGA + HDMI displays

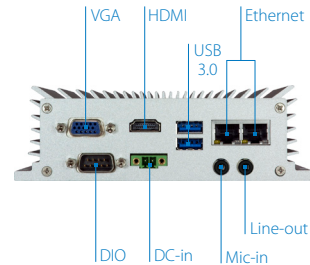
Specifications

Model Name	AMOS-3005
Processor	1.2GHz VIA Eden® X4
Chipset	VIA VX11 Media System Processor
BIOS	AMI BIOS, 32Mbit Flash memory
System Power Management	Wake-on LAN, keyboard power-on, timer power-on, system power management, AC power failure recovery, Watch Dog timer control
System Memory	1 DDR3 1333 SDRAM SODIMM socket Up to 8GB memory size
Storage	Supports 1 mSATA slot
Graphics	Integrated Chrome® 640 DX11 3D/2D graphics with MPEG-2, WMV9, VC1 and H.264 video decoding accelerator
Audio	VIA VT2021 High Definition Audio Codec
Display I/O	1 HDMI port 1 VGA port supporting VGA resolutions up to 2048 x 1536 pixels Dual independent VGA + HDMI display at different resolutions, pixel depths, and refresh rates
USB	2 USB 3.0 ports, 2 USB 2.0 ports (lockable USB ports for secure connections)
LAN	2 Realtek RTL8111G PCIe Gigabit Ethernet controllers
COM	Fintek F71869ED
Expansion I/O	1 miniPCIe slot 1 SIM slot
Front Panel I/O	2 Lockable USB 2.0 ports 2 COM ports for RS-232/422/485 1 Power on/off button 1 Red LED for HDD activity 1 Green LED for power status
Back Panel I/O	2 USB 3.0 ports 1 HDMI port 1 VGA port 2 Gigabit Ethernet ports 1 DIO port for 8-bit GPIO 2 Audio jacks: Line-out and Mic-in 1 2-pole Phoenix DC jack
Power Supply	9 ~ 36V DC-in (typical: 19W)
Operating System	Windows 8.1/8/7, WES 7, Linux
Watch Dog Timer	System reset; programmable 1-255 sec
Mechanical Construction	Aluminum top chassis housing Metal chassis housing Dual removable front & rear metal face plate
Mounting	Wall/DIN Rail/VESA mountable

Front System IO



Rear System IO



Specifications

Model Name	AMOS-3005
Dimensions	150.5mm(W) x 48.1mm(H) x 109.8mm(D) (5.93" x 1.89" x 4.32")
Weight	1.4kg (3.08lbs)
Operating Temperature	-20°C ~ 60°C with qualified industrial grade mSATA
Storage Temperature	-20°C ~ 70°C
Operating Humidity	0% ~ 95% (relative humidity; non-condensing)
Vibration Loading During Operation	With mSATA Flash Drive: 5Grms, IEC 60068-2-64, random, 5 ~ 500Hz, 1hr/axis
Shock During Operation	With mSATA Flash Drive: 50G, IEC 60068-2-27, half size, 11ms duration
Compliance	CE/FCC

Ordering Information

Part Number	CPU Frequency	Description
AMOS-3005-1Q12A1	VIA Eden® X4 @ 1.2GHz	1.2GHz VIA Eden® X4 CPU based fanless embedded system with HDMI, VGA, 2 USB 3.0, 2 Lockable USB 2.0, 2 COM, DIO, 2 Gigabit Ethernet, 9 ~ 36V DC-in power

Optional Accessories

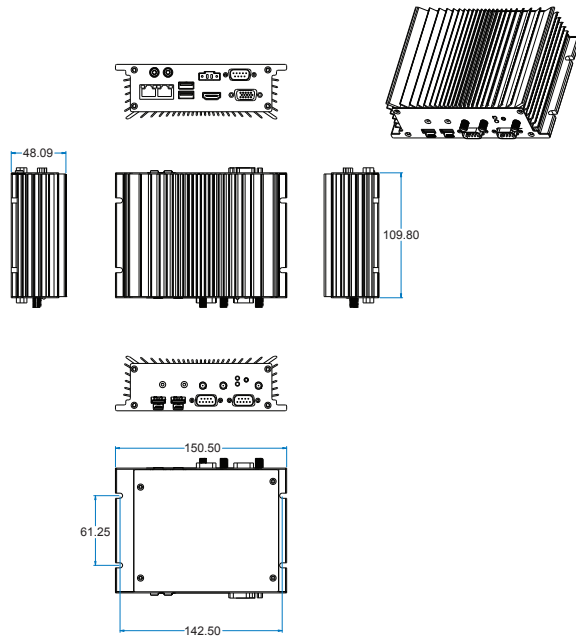
External AC-to-DC Adapter and Power Cord

Part Number	Description
99G63-020316	AC-to-DC adapter, 2-pole Phoenix connector, DC 12V/5A, 60W
99G33-02032C	Power cord, 180cm, USA type
99G33-02033C	Power cord, 180cm, Europe type
99G33-02034C	Power cord with PSE mark, 180cm for Japan market

Wireless Accessories

Part Number	Description
EMIO-1533-00A2	VNT9271 IEEE 802.11 b/g/n USB Wi-Fi module with assembly kit
EMIO-1541-00A1	VNT9485 IEEE 802.11 b/g/n miniPCIe Wi-Fi module with assembly kit and antenna
EMIO-2550-00A1	3.75G HSPA/UMTS mobile broadband full size miniPCIe module with GPS and SIM card slot
EMIO-2550-01A1	3.75G HSPA/UMTS mobile broadband full size miniPCIe module

Dimensions



Unit: mm

Packing List

Items

- AMOS-3005 system
- Power cable, 2-pole phoenix plug to DC jack
- Screw pack for mounting
- Screw pack for Mini PCI-e card
- Washer rubbers pack
- Thermal pad for mSATA module
- Thermal grease (0.5cc syringe)

Mouser Electronics

Authorized Distributor

Click to View Pricing, Inventory, Delivery & Lifecycle Information:

[VIA Technologies:](#)

[AMOS-3005-1Q12A1](#)