

**NEW**

# VIA ALTA DS 2

Fanless ultra-compact dual-screen Android digital signage system



## Features

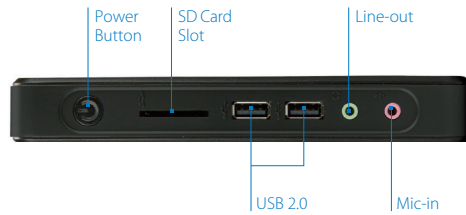
- High-performance 1.0GHz VIA Elite E1000 Cortex-A9 dual-core SoC
- Designed for Android operating system
- Dual-screen support with optional second HDMI port
- Optional HDMI-in for capture-in
- Android software solution pack and signage starter kit available

## Specifications

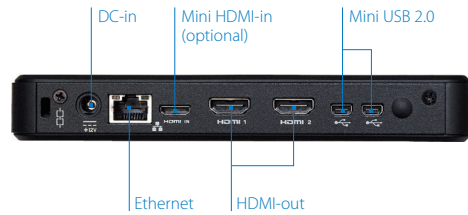
<b>Model Name</b>	<b>ALTA DS 2</b>
<b>Processor</b>	1.0GHz VIA Elite E1000 Cortex-A9 dual-core SoC
<b>System Memory</b>	2GB DDR3 SDRAM onboard
<b>Storage</b>	4GB eMMC Flash memory Up to 16GB eMMC (optional) Supports 1 2.5" SATA HDD/SSD (Project-based only)
<b>Boot Loader</b>	4MB SPI Flash ROM
<b>Graphics</b>	3 integrated, independent 2D/3D and video processing units Graphics engine supporting OpenGL® ES 3.0 hardware acceleration Supports MPEG-2, VC-1 and H.264 video decoding up to 1080p Supports H.264 encoding
<b>LAN</b>	Realtek RTL8111G-CG
<b>Audio</b>	Wolfson WM8960 Audio Codec
<b>HDMI</b>	Integrated HDMI 1.4 transmitter 2nd from ADV7511
<b>Front Panel I/O</b>	2 USB 2.0 ports 1 SD card slot 2 Audio jacks: Line-out and Mic-in (shared with CIR, optional) 1 Power on/off button & power indicator LED
<b>Back Panel I/O</b>	2 Mini USB 2.0 ports (optional) - 1 for Wi-Fi - 1 for UART1 TX/RX 2 HDMI-out ports (1 optional) 1 Mini HDMI-in port (optional, project based support) 1 Gigabit Ethernet port 1 DC-in jack
<b>Power Supply</b>	12V DC-in (typical: 5.12W)
<b>Operating System</b>	Android 4.4.2, Kernel 3.10.0
<b>Operating Temperature</b>	0°C ~ 40°C
<b>Operating Humidity</b>	0 ~ 90% @ 40°C (non-condensing)
<b>Storage Temperature</b>	-20°C ~ 70°C
<b>Dimensions</b>	175mm(H) x 25mm (H) x118(D) (6.88" x 0.98" x 4.64")
<b>Weight</b>	0.555kg (1.22lbs)
<b>Compliance</b>	CE, FCC

CE FC

### Front Panel External I/O



### Rear Panel External I/O



### Ordering Information

Part Number	System Built-in CPU	Description
VT60800014003-T	1.0GHz VIA Elite E1000	Android signage system with 2GB DDR3 RAM, 4GB eMMC, HDMI-in (project based support), 2 HDMI-out, 2 USB 2.0 ports, 2 Mini USB 2.0 ports, SD card slot, Gigabit Ethernet, Stand holder, US power cord, 12V DC-in

### Optional Accessories

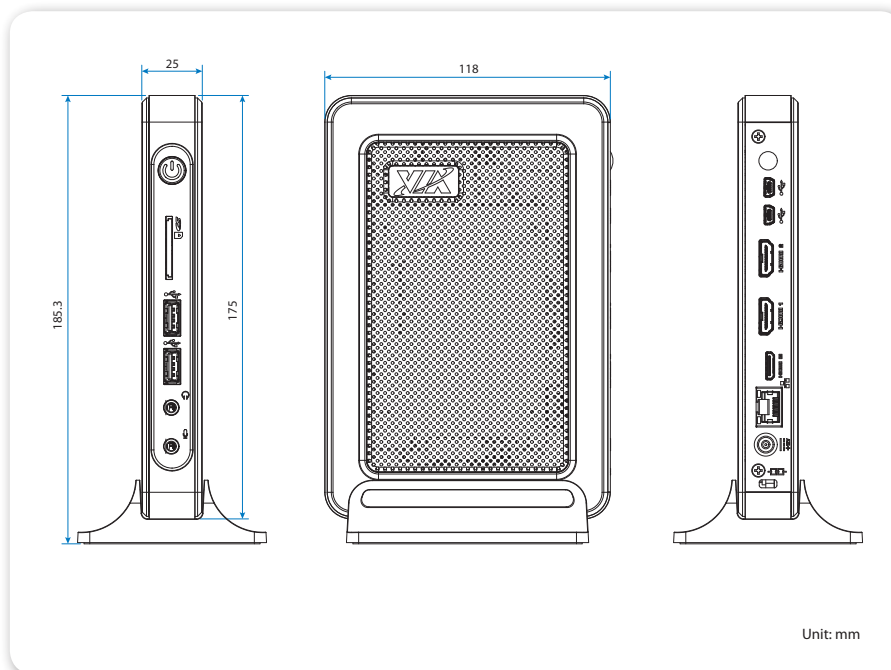
#### Wireless Accessories

Part Number	Description
00G027100BU2B0D0	VNT9271BU0DB IEEE 802.11b/g/n USB Wi-Fi dongle

#### Mounting Options

Part Number	Description
VT6076-C0000A1	VESA mount cradle

### Dimensions



### Packing List

ALTA DS 2 system
Stand holder
AC-to-DC adapter
Power cord (USA type)

# Mouser Electronics

Authorized Distributor

Click to View Pricing, Inventory, Delivery & Lifecycle Information:

[VIA Technologies:](#)

[VT60800014003-T](#)