

# PuIM-1G8SF-I350

Intel® Ethernet Controller I350-AM4 based Network Interface Card with 8 x SFP by 2 PCIe 2.0 x4 interface



## Features

- 2 x Intel® Ethernet Controller I350-AM4
- 8 x GbE SFP connectors
- 2 PCIe 2.0 x4
- RoHS compliant

## Specifications

| Model Name      | PuIM-1G8SF-I350                               |                             | PuIM-1G8SF/T-I350 |
|-----------------|---|-----------------------------|-------------------|
| Form Factor     | IEI Networking Module                         |                             |                   |
| NIC             | Intel® Ethernet Controller I350-AM4           |                             |                   |
| LAN Interface   | SFP   |                             |                   |
| Speed           | 1GbE  |                             |                   |
| Ports           | 8   |                             |                   |
| Host Interface  | 2 PCIe 2.0 x4                                 |                             |                   |
| Storage Temp.   | -20°C ~ 75°C (-4°F ~ 167°F)                   |                             |                   |
| Operating Temp. | 0°C ~ 40°C (32°F ~ 104°F)                     |                             |                   |
| Humidity        | 5% ~ 90% RH, Non-condensing                   |                             |                   |
| Dimensions (mm) | 165.50 (L) x 77.8 (W) x 44.2 (H)              |                             |                   |
| Compliance      | RoHS  |                             |                   |
| Support Device  | PUZZLE-IN001<br>PUZZLE-IN001A<br>PUZZLE-IN004 | PUZZLE-A001<br>PUZZLE-A001A | PUZZLE-IN005      |

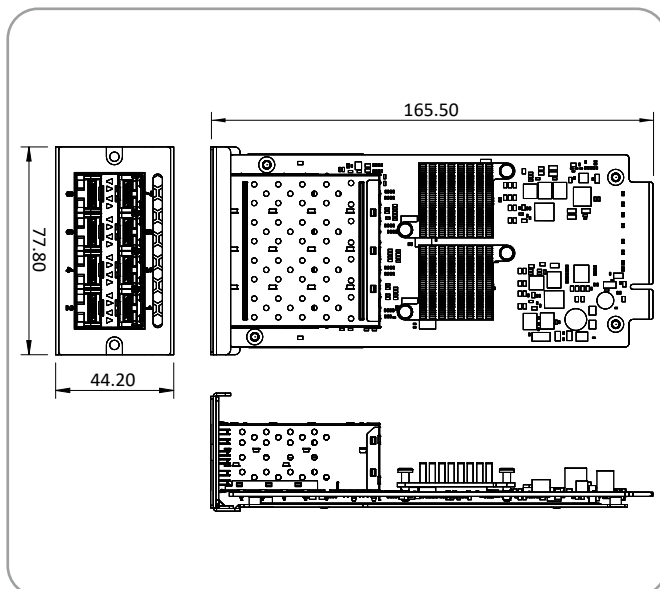
## Ordering Information

| Part No.              | Description   |
|-----------------------|---|
| PuIM-1G8SF-I350-R10   | Intel® Ethernet Controller I350-AM4 based Network Interface Card with 8 x SFP by 2 PCIe 2.0 x4 interface. |
| PuIM-1G8SF/T-I350-R10 | Intel® Ethernet Controller I350-AM4 based Network Interface Card with 8 x SFP by 2 PCIe 2.0 x4 interface. |

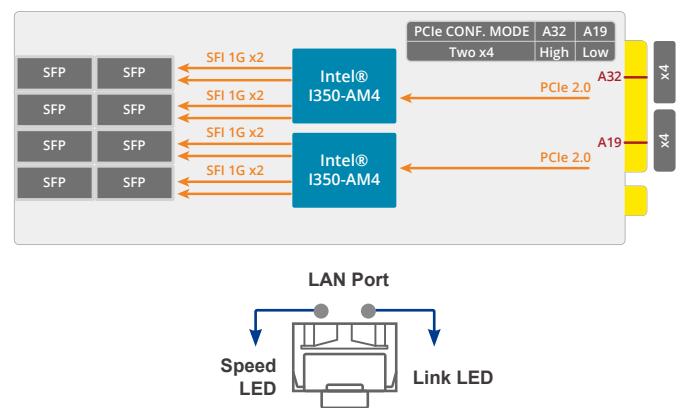
## Packing List

| Part No.              | L-shaped T10 PuIM Wrench | Torx Screws | QIG |
|-----------------------|--------------------------|-------------|-----|
| PuIM-1G8SF-I350-R10   | 1                        | 2           | 1   |
| PuIM-1G8SF/T-I350-R10 | N/A                      | N/A         | 1   |

## Dimensions (Unit: mm)



## Block Diagram



| LED          | State  | Description      |
|--------------|--|------------------|
| Link (Right) | Yellow <span style="color: yellow;">■</span> | Active           |
| Speed (Left) | Green <span style="color: green;">■</span>   | 1 Gbps data rate |

# Mouser Electronics

Authorized Distributor

Click to View Pricing, Inventory, Delivery & Lifecycle Information:

[IEI:](#)

[PuIM-1G8SF-I350-R10](#)