

MPCIE-3G-R10

PCI Express Mini 3G adapter card, RoHS



New

Specifications

- ◆ Form Factor
PCI Express Mini card
Antenna 50Ohms. Main GSM/UMTS antenna
- ◆ USB
USB 2.0 High Speed (480Mbit/s) device interface, Full Speed (12Mbit/s)
- ◆ Compatible OS
Windows® XP/Vista/7/8
Linux kernel version 2.4.31 above
- ◆ Operating Temperature
Normal operation: -30°C to +85°C
Restricted operation: -40°C to +95°C
- ◆ Dimensions (W x D x H)
50.95 mm x 30 mm x 4.75 mm

Packing List

1 x PCI Express Mini 3G adapter card

Ordering Information

Part No.	Description
MPCIE-3G-R10	PCI Express Mini 3G adapter card, RoHS
32501-000705-100-RS	RF Antenna cable
32503-000100-100-RS	GSM Antenna cable

Features

1. Real time clock: Timer functions via AT commands
2. Phonebook: SIM and phone
3. TTY/CTM support: Integrated CTM modem

MPCIE-LAN-R10

PCI Express Mini GbE LAN module, Full size, RoHS

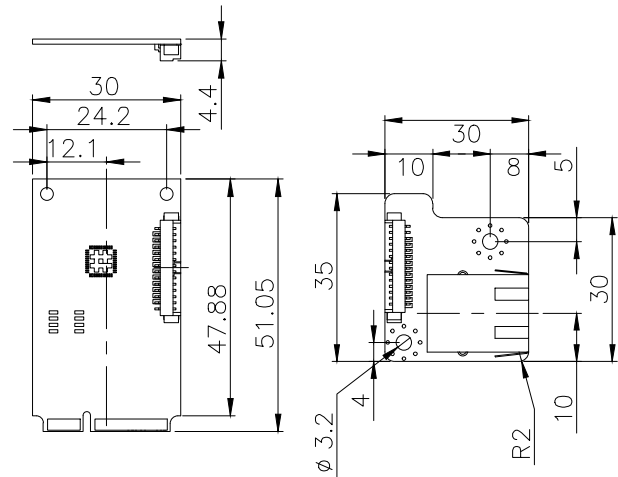


New

Features

1. Support one GbE LAN by RTL8111E
2. Compliant with PCI Express Mini Card specification 1.2

Dimensions (mm)



Specifications

- ◆ Form Factor
PCI Express mini card
- ◆ Display Controller IC
Realtek RTL8111E
- ◆ Speed
10/100/1000Mbps
- ◆ External Connector
1 x 8-pin RJ-45
- ◆ Power Supply
On board 3.3V
- ◆ Compatible OS
Windows 2000/ XP/ Server 2003/ Server 2008/ Vista/ 7
Linux kernel version 2.6.32 above
- ◆ Operating Temperature
-10°C ~ 70°C
- ◆ Operating Humidity
5% ~ 95%, non-condensing
- ◆ Dimensions (LxW)
51 mm x 30 mm
- ◆ Weight
70g

Packing List

1 x MPCIE-LAN module
1 x Flat Cable (Pitch=1.25mm), 340mm length
1 x QIG

Ordering Information

Part No.	Description
MPCIE-LAN-R10	PCI Express Mini GbE LAN module, Full size, RoHS

1

Industrial
Computing
Solutions

2

Video
Capture
Solutions

3

Embedded
Computing
Solutions

4

Automation
Control

5

ORing
Network
Communication

6

Power Supply/
Peripherals

7

Panel
Solutions
Introduction

Mouser Electronics

Authorized Distributor

Click to View Pricing, Inventory, Delivery & Lifecycle Information:

[IEI:](#)

[MPCIE-3G-R10](#) [MPCIE-LAN-R10](#)