

IKARPC-07A

Vehicle Computer Series

Features

- 7" sunlight readable TFT LCD with projected capacitive touchscreen
- Optional HSUPA/GPRS/GSM, Wi-Fi and Bluetooth
- Built-in GPS receiver
- Built-in OBD-II/J1939

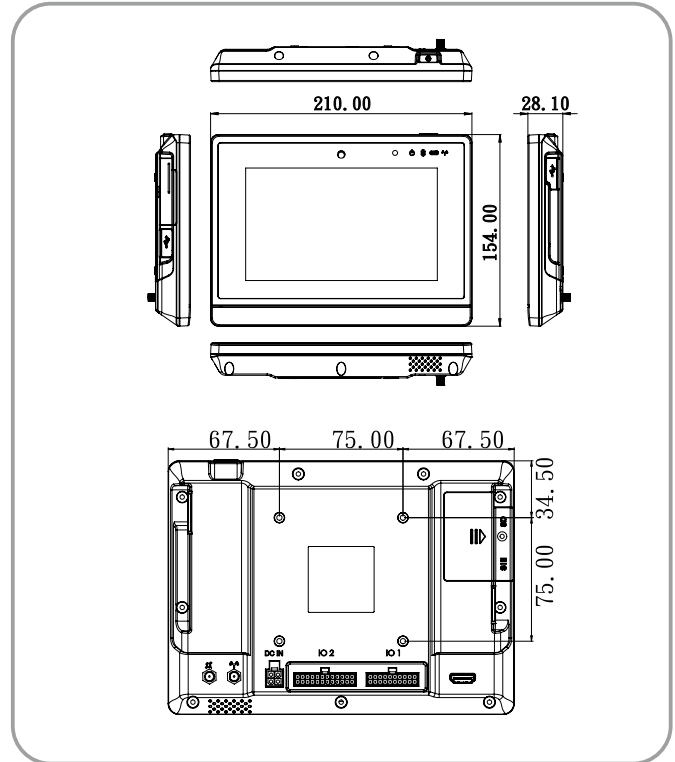
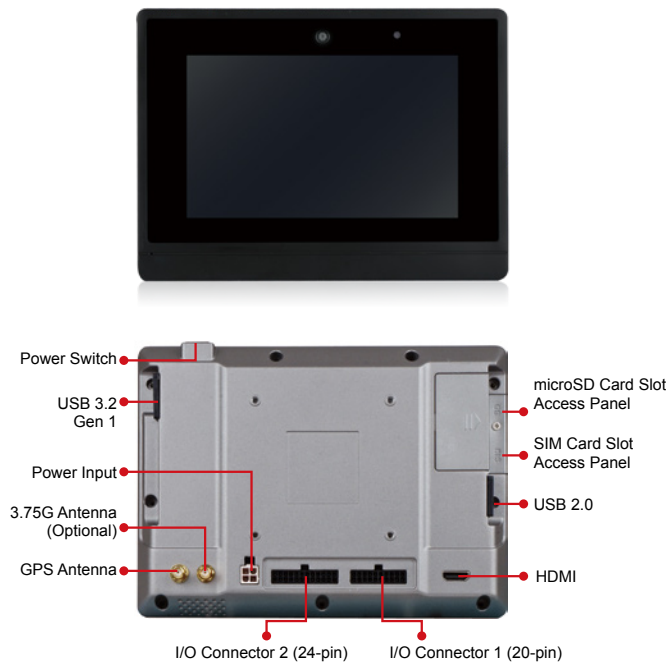


Specifications

Model Name	IKARPC-07A-BT		
Chassis	Color	Black C + Silver	
	Dimensions (WxHxD) (mm)	210 x 154 x 28	
	System Fan	Fanless	
	Chassis Construction	PC + ABS plastic	
Display	Size	7"	
	Resolution	1024 × 3 (RGB) × 600	
	Brightness (cd/m ²)	500	
	Contrast Ratio	700:1	
	Pixel Pitch (mm)	0.05 (W) × 0.15 (H)	
	Viewing Angle (H/V)	130° (H) / 140° (V)	
	Touchscreen	Projected capacitive touch with USB interface	
	Motherboard	CPU	Intel® Atom™ processor E3826 (dual-core, 1.46 GHz, 7W)
Chipset		SoC	
System Memory		On-board 2 GB SDRAM	
Storage	SD Card	1 x Micro SD slot (supports SD 2.0, max. 32 GB)	
	Flash	N/A	
	mSATA	1 x mSATA (SATA 3Gb/s) optional	
Communication	WLAN	PCIe Mini Wi-Fi 802.11a/b/g/n/ac (optional)	
	Bluetooth	BT 4.0/3.0+HS (combo with Optional WLAN module)	
	WWAN	PCIe Mini WCDMA/HSDPA/HSUPA (optional)	
	RFID	N/A	
	GPS	On-board GPS	
	I/O Interfaces	20-pin Connector	1 x GbE LAN 1 x OBD-II/J1939 1 x USB 2.0
24-pin Connector		1 x Audio line-out (R+L) 1 x Audio line-in 1 x RS-232 4-bit digital I/O (2-bit input, 2-bit output)	
8-pin Connector		N/A	
USB 3.2 Gen 1		1	
USB 2.0		1	
Display		1 x HDMI	
SIM		2 x On-board SIM card slot	
Antenna		1 x GPS, 1 x WWAN	
Expansions		PCIe Mini	1 x Full-size (reserved for mSATA module), 1 x Full-size (reserved for WWAN module), 1 x Half-size (reserved for WLAN module)
		Speaker	1 x Speaker (2 W)
	Camera	2-megapixel CMOS	
LED Indicator & Button	Indicator	Power/HDD/Wi-Fi/3G	
	Button	1 x Power button	
Power	Power Input	Cigarette lighter power cable, DC 9 V~30 V	
	Consumption	12V @ 1.25 A	
Reliability	Mounting	VESA 75	
	Operating Temperature	-10°C ~ 60°C with air flow	
	Storage Temperature	-20°C ~ 60°C	
	Humidity	10% ~ 95%, non-condensing	
	Operating Shock	Half-sine wave shock 5G, 11ms, 3 shocks per axis	
	Operating Vibration	MIL-STD-810F 514.5C-2 (with SSD)	
	Weight (Net/Gross)	0.9 kg/2.1 kg	
OS	Safety/EMC	CE/FCC/E-Mark/IP 54 compliant front panel	
	Supported OS	Microsoft® Windows® Embedded 8, Microsoft® Windows® Embedded Standard 7 E	

Fully Integrated I/O

Dimensions (Unit: mm)



Ordering Information

Part No.	Description
IKARPC-07A-BT-E3/2G-R12	7" 500 cd/m2 1024 x 600 In Vehicle Panel PC with Intel® Atom E3826 1.46GHz, 7W TDP, 2GB DDR3L On-board memory, OBDII, GPS On-board, 2M Camera, R12

Options

Item	Part No.	Description
Power adapter	IVIPOWER-4PIN-R10	Power adapter with 4-pin transfer cable, RoHS
Cigarette lighter power cable	32002-004000-100-RS	Round cable, power cable, car cigarette lighter cable, 2000 mm, 18 AWG, (A) cigarette lighter (5 A 250 V)+ φ3 green LED, (B) MOLEX 5557-0400 P=4.2, SHANGHAI YING YU, RoHS
OBD-II cable	32025-003400-100-RS	Round cable, OBD-II cable, 2000 mm, 24 AWG, (A) OBD-II 16P male, (B) D-sub 9P female, one piece package with label, NIAN YEONG, RoHS

IKARPC-07A-BT Series

Item	Part No.	Description
I/O connector 1 cable (20-pin)	32024-003000-100-RS	Round cable, integration cable, I/O cable, 300 mm, 24 AWG (A)terminal block 3P P=5.08, (B)USB A type female+2 NUT, (C)PCB jack: RJ-45 8P8C, (D)D-sub 9P male, (E)MOLEX 5557-2000 P=3.0, one piece package with label, RoHS
I/O connector 2 cable (24-pin)	32124-003700-100-RS	Round cable, integration cable, I/O cable, 300 mm, 22 AWG, (A)terminal block 8P P=5.08, (B)MOLEX 43025-2400 P=3.0, (C)D-sub 9P male, (D)phone jack 3.5_3P+NUT, (E)phone jack 3.5_5P+NUT, one piece package with label, RoHS
OS: Windows Embedded 7 (DVD-ROM)	IKARPC-07A-BT-WES7P-R10	OS image with Windows® Embedded Standard 7 E for IKARPC-07A-BT Series, DVD-ROM, RoHS
OS: Windows Embedded 8 (DVD-ROM)	IKARPC-07A-WE8S-R10	OS image with Windows® Embedded Standard 8 E for IKARPC-07A-BT Series, WE8S license label, DVD-ROM, RoHS
Wireless kit	IKARPC-WIFI-KIT01-R10	1T1R wifi module kit for embedded system, IEEE 802.11b/g/n, 1 x wifi module, RoHS
WWAN kit	IKARPC-3G-KIT02-R10	F260 3.75G module kit for embedded system, with BT V2.1, RoHS

Packing List

Product	Item	Part No.	Qty	Description
IKARPC-07A-BT	Power cable	32002-001900-100-RS	1	Round cable, power cable, 3000mm, RoHS
	Screw pack	44045-020031-RS	2	Screw pack
	GPS/GSM antenna	32506-000100-100-RS	1	Integration antenna, GPS/GSM, RG 174, 5000mm/5000mm, PPF-5423SA5X-999, Magnetic mount: φ55x22mm, 1575.42MHz/850MHz/900MHz/1800MHz/1900MHz, SMA plug x 2

Mouser Electronics

Authorized Distributor

Click to View Pricing, Inventory, Delivery & Lifecycle Information:

IEI:

[IKARPC-07A-BT-E3/2G-R12](#)