

15" XGA AFOLUX Panel PC

AFL-15i-HM55

Intel® Core™ i7/i5/i3/Celeron® Processor



Features

- Intel® Core i7-620M CPU with Intel® HM55 chipset
- DDR3 1066MHz system memory up to 4GB
- HDMI/VGA port delivers high quality image on the second display
- IEI One Key Recovery solution allows you to create rapid OS backup and recovery (over 4GB storage capacity is suggested)



Specifications

Model	AFL-15i-HM55
LCD Size	15"
Max Resolution	1024 x 768
Brightness (cd/m ²)	450
Contrast Ratio	700:1
LCD Color	16.7M
Pixel Pitch (mm)	0.297(H) x 0.297(V)
Viewing Angle (H-V)	160°/150°
Backlight MTBF	50000 hrs (LED backlighting)
SBC Model	AFLMB2-HM55-R10
CPU	Intel® Core™ i7/i5/i3/Celeron® Processor
Chipset	Intel® HM55
RAM	Two 204-pin 800/1066MHz DDR3 dual-channel SO-DIMMs supported (Max. 8GB)
I/O Ports	1 x RS-232 COM Port 1 x RS-232/422/485 COM Port 2 x RJ-45 for Giga LAN 4 x USB 2.0 1 x Power Switch 1 x Reset Button 1 x Audio Port (Line-out) 1 x VGA 1 x Power Jack 1 x HDMI Port
Storage	1 x 2.5" SATA HDD bay
Watchdog Timer	Software programmable supports 1~255 sec. system reset
Audio	AMP 3W + 3W (internal speakers)
Wireless Connection	1 x Wireless LAN 802.11b/g/n Module (internal PCIe Mini card interface)
Construction Front Panel	ABS + PC Plastic front frame
Membrane Keypad	LCD on/off, Brightness up/down, Volume up/down (5 keys)
LED Function	1 x Power on/off LED on front panel
Mounting	Panel, Wall, Rack, Stand and Arm VESA 100mm x 100mm
Front Panel Color	Sliver (877U) & Gray (ABSA2037)
Dimensions (WxHxD) (mm)	394 x 309 x 66
Operation Temperature (°C)	0°C~50°C
Storage Temperature (°C)	-20°C ~ 60°C
N/G Weight	5.8 Kg
IP Level	Front Frame IP64
Touch Screen	Resistive Type 5-Wire
Power Adapter	P/N: 63040-010096-100-RS 96W Power Adapter (Meet PSE) Input: 90VAC~264VAC, 50/60Hz Output: 12VDC
Power Requirement	12VDC
Power Consumption	80W

Ordering Information

Part Number	Description
AFL-15i-HM55-P45/R/1G-R30	15" 450cd/m ² XGA LED backlighting panel PC with Intel® Celeron P4500 1.86G CPU, 1GB DDR3 RAM, 802.11b/g/n wireless module, touch screen, R30
AFL-15i-HM55i3-35/R/2G-R30	15" 450cd/m ² XGA LED backlighting panel PC with Intel® Core™ i3-350M 2.26G CPU, 2GB DDR3 RAM, 802.11b/g/n wireless module, touch screen, R30
AFL-15i-HM55i5-52/R/2G-R30	15" 450cd/m ² XGA LED backlighting panel PC with Intel® Core™ i5-520M 2.4G CPU, 2GB DDR3 RAM, 802.11b/g/n wireless module, touch screen, R30
AFL-15i-HM55i7-62/R/2G-R30	15" 450cd/m ² XGA LED backlighting panel PC with Intel® Core™ i7-620M 2.66G CPU, 2GB DDR3 RAM, 802.11b/g/n wireless module, touch screen, R30

ISMM Supported Functions

	Voltage	Fan	Smart Fan	Temperature	WDT	Cash Drawer
AFL-15i-HM55	V	V	V	V	V	

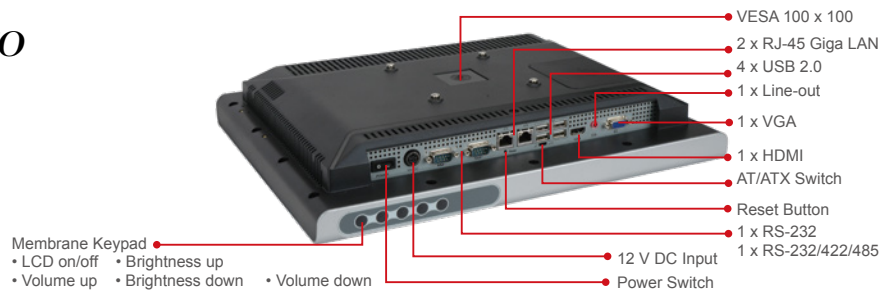
Packing List

Item	Part Number	Q'ty	Specification
Screw Pack	44013-030041-RS	4	M3;5mm
Power Adpater	63040-010060-110-RS	1	90~264V AC; 12V DC; 96W (Meet PSE)
Power Cord	32000-000002-RS	1	1750mm; European Standard
Utility CD	7B000-000087-RS	1	
Touch Pen	43125-0002C0-00-RS	1	
One Key Recovery CD		1	

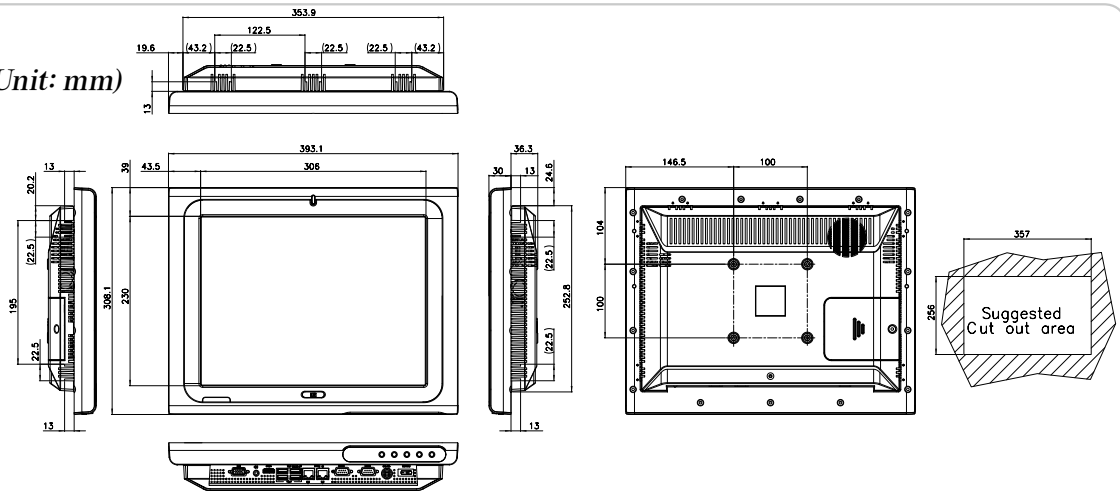
Options

Model	AFL-15i-HM55
Panel Mounting Kit	AFLPK-15B
Wall Mounting Kit	AFLWK-19B
Rack Mounting Kit	AFLRK-15i-R10
Arm	ARM-11-RS / ARM-31-RS
Stand	STAND-A19-RS / STAND-A21-R10-R10 / STAND-210-R11
OS: Win XPE	AFLSD-15-HM55-2G-XPE-R21 (w/o storage)
OS: Win 7 Embedded	AFL-15i-HM55-WES7E-R21
Hybrid Card Reader	AFLP-17AMSI-U
Magnetic Stripe Reader	AFLP-17AMSR-U
DC 12V Input UPS	AUPS-B10-R10 (14.8V 3800mAH)
DC 9~36V Input UPS	AUPS-B20-R10 (14.8V 3800mAH)

Fully Integrated I/O



AFL-15i Dimensions (Unit: mm)



Mouser Electronics

Authorized Distributor

Click to View Pricing, Inventory, Delivery & Lifecycle Information:

[IEI:](#)

[AFL-15i-HM55-P45/R/1G-R21](#) [AFL-15i-HM55i3-35/R/2G-R21](#) [AFL-15i-HM55i5-52/R/2G-R21](#) [AFL-15i-HM55i7-62/R/2G-R21](#) [AFL-15i-HM55i3-35/R/2G-R30](#) [AFL-15i-HM55i7-62/R/2G-R30](#) [AFL-15i-HM55i5-52/R/2G-R30](#) [AFL-15i-HM55-P45/R/1G-R30](#)