

ICs for use with 3rd Overtone Crystal Oscillators

GENERAL DESCRIPTION

The XC2163 series are high frequency, low current consumption CMOS ICs with built-in crystal oscillator and divider circuits. Output is selectable from any one of the following values for f_0 : $f_0/1$, $f_0/2$, $f_0/4$, $f_0/8$.

With oscillation capacitors and a feedback resistors built-in, it is possible to configure a stable 3rd overtone oscillator using only an external crystal oscillator.

Also available is an external oscillation capacitor/external oscillation feedback resistor type, which makes oscillation frequency control possible.

APPLICATIONS

- Crystal Oscillation Modules
- Computer, DSP Clocks
- Communication Equipment
- Various System Clocks

FEATURES

- Oscillation Frequency** : 40MHz ~ 125MHz
(Rf, Cg, Cd internal; 5.0V)
- (3rd Overtone)** : 57MHz ~ 125MHz
(Rf, Cg, Cd internal; 3.3V)
- : 20MHz ~ 125MHz
(Rf, Cg, Cd external)
- Divider Ratio** : Selectable from $f_0/1$, $f_0/2$, $f_0/4$, $f_0/8$.
- Output** : 3-State
- Operating Voltage Range** : 3.3V \pm 10%, 5.0V \pm 10%
- Low Current Consumption** : Stand-by function included *

CMOS

Built-in Oscillation Capacitor

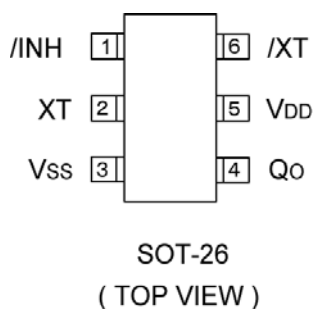
Built-in Oscillation Feedback Resistor

Package : SOT-26

Environmentally Friendly : EU RoHS Compliant, Pb Free

* Oscillation continues in stand-by mode

PIN CONFIGURATION



PIN ASSIGNMENT

PIN NUMBER	PIN NAME	FUNCTION
1	/INH	Stand-by Control*
2	XT	Crystal Oscillator Connection (Input)
3	Vss	GND
4	Q0	Clock Output
5	VDD	Power Supply
6	/XT	Crystal Oscillator Connection (Output)

* Stand-by control pin has a pull-up resistor built-in.

/INH, Q0 PIN FUNCTION

/INH	"H" or OPEN	"L"(Stand-by)
Q0	Divider Output	High Impedance

"H" = High Level

"L" = Low Level

PRODUCT CLASSIFICATION

Ordering Information

XC2163 _____ - (*1)

DESIGNATOR	DESCRIPTION	SYMBOL	DESCRIPTION
	Divider Ratio	C	: f0/1
		D	: f0/2
		E	: f0/4
		F	: f0/8
	Output Capacity	5	: 10TTL
	Duty Level	1	: CMOS (V _{DD} /2) *TTL : 20MHz to 37MHz
	Frequency Range & R _f , C _g , C _d Values	Z	: External type (refer to table 1)
		A ~ L	: Built-in type (refer to table 2)
-	Packages Taping Type (*2)	MR-G	: SOT-26

(*1) The “-G” suffix indicates that the products are Halogen and Antimony free as well as being fully RoHS compliant.

(*2) The device orientation is fixed in its embossed tape pocket. For reverse orientation, please contact your local Torex sales office or representative. (Standard orientation: R- , Reverse orientation: L-)

Table 1: Frequency for External Type

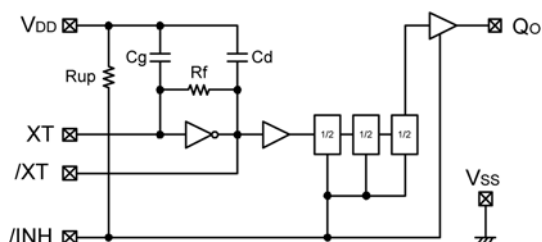
SYMBOL	5.0V TYPE			3.3V TYPE		
	FREQUENCY RANGE	R _f	C _g /C _d	FREQUENCY RANGE	R _f	C _g /C _d
Z	108MHz ~ 125MHz	1.6k	10pF	108MHz ~ 125MHz	3.9k	4pF
	93MHz ~ 110MHz	2.4k	10pF	95MHz ~ 110MHz	2.4k	7pF
	80MHz ~ 95MHz	2.4k	12pF	80MHz ~ 97MHz	2.7k	8pF
	68MHz ~ 83MHz	2.4k	15pF	68MHz ~ 83MHz	2.7k	10pF
	55MHz ~ 70MHz	3.3k	15pF	58MHz ~ 70MHz	3.9k	10pF
	45MHz ~ 57MHz	3.3k	20pF	50MHz ~ 60MHz	3.9k	12pF
	35MHz ~ 47MHz	3.6k	24pF	40MHz ~ 52MHz	2.4k	20pF
	28MHz ~ 37MHz	4.7k	27pF	33MHz ~ 42MHz	3.6k	20pF
	24MHz ~ 30MHz	5.6k	30pF	28MHz ~ 35MHz	3.6k	24pF
	20MHz ~ 26MHz	6.8k	33pF	24MHz ~ 30MHz	3.9k	27pF
-	-	-	20MHz ~ 26MHz	3.9k	33pF	

Note: We recommend that a damping resistor R_d be added between the /XT pin & the crystal oscillator pin in order to safeguard the crystal oscillator and improve oscillation stability.

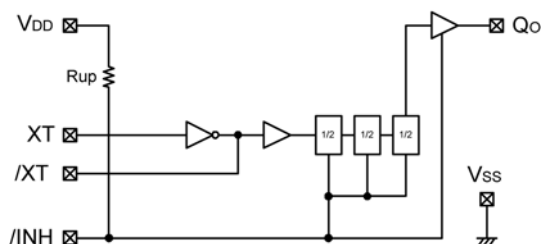
Table 2: Frequency for Built-In Type

SYMBOL	5.0V TYPE			3.3V TYPE		
	FREQUENCY RANGE	R _f	C _g /C _d	FREQUENCY RANGE	R _f	C _g /C _d
A	-	-	-	108MHz ~ 125MHz	1.5k	5.5pF
B	-	-	-	93MHz ~ 110MHz	1.7k	6.5pF
C	108MHz ~ 125MHz	2.2k	5.5pF	80MHz ~ 95MHz	2.2k	5.5pF
D	95MHz ~ 110MHz	2.4k	6.5pF	72MHz ~ 83MHz	2.4k	6.5pF
E	80MHz ~ 97MHz	3.2k	6.5pF	65MHz ~ 75MHz	3.2k	6.5pF
F	68MHz ~ 83MHz	3.7k	6.5pF	57MHz ~ 67MHz	3.7k	6.5pF
H	55MHz ~ 70MHz	4.9k	7.6pF	-	-	-
K	45MHz ~ 57MHz	5.5k	11.0pF	-	-	-
L	40MHz ~ 48MHz	6.5k	11.0pF	-	-	-

BLOCK DIAGRAMS



① Built-in oscillation capacitors, oscillation feedback resistor



② External oscillation capacitors, oscillation feedback resistor

ABSOLUTE MAXIMUM RATINGS

PARAMETER	SYMBOL	CONDITIONS	UNITS
Supply Voltage	V _{DD}	V _{SS} -0.3 ~ V _{SS} +7.0	V
Input Voltage	V _{IN}	V _{SS} -0.3 ~ V _{DD} +0.3	V
Power Dissipation	P _d	250 *	mW
Operating Temperature Range	T _{opr}	-30 ~ +80	
Storage Temperature Range	T _{stg}	-55 ~ +125	

* When implemented on a glass epoxy PCB.

ELECTRICAL CHARACTERISTICS

XC2163C51AMR

Fosc=108MHz~125MHz

(Unless otherwise stated, VDD=3.3V, Ta=25)

PARAMETER	SYMBOL	CONDITIONS	STANDARD VALUE			UNITS
			MIN.	TYP.	MAX.	
Operating Voltage	VDD		2.97	-	3.63	V
'H' Level Input Voltage	VIH	/INH pin	2.4	-	-	V
'L' Level Input Voltage	VIL	/INH pin		-	0.4	V
'H' Level Output Voltage	VOH	Qo pin, VDD = 2.97V, IOH = 8mA	2.2	2.4	-	V
'L' Level Output Voltage	VOL	Qo pin, VDD = 2.97V, IOL = 8mA	-	0.3	0.4	V
Supply Current 1	Idd1	/INH = OPEN, CL = 15pF, f = 125MHz	-	18	-	mA
Supply Current 2	Idd2	/INH = 'L', f = 125MHz	-	5	-	mA
Input Pull-Up Resistance 1	Rup1	/INH = 'L'	1.0	2.0	4.0	M
Input Pull-Up Resistance 2	Rup2	/INH = 0.7VDD	35	70	140	k
Internal Oscillation Capacity	Cg	R&D Value	-	5.5	-	pF
	Cd	R&D Value	-	5.5	-	pF
Internal Oscillation Feedback Resistance	Rf		-	1.5	-	k
Output Off Leak Current	Ioz	Qo pin, /INH = 'L'	-	-	10	μA

Note) R&G value

XC2163C51BMR

Fosc=93MHz~110MHz

(Unless otherwise stated, VDD=3.3V, No load, Ta=25)

PARAMETER	SYMBOL	CONDITIONS	STANDARD VALUE			UNITS
			MIN.	TYP.	MAX.	
Operating Voltage	VDD		2.97	-	3.63	V
'H' Level Input Voltage	VIH	/INH pin	2.4	-	-	V
'L' Level Input Voltage	VIL	/INH pin	-	-	0.4	V
'H' Level Output Voltage	VOH	Qo pin, VDD = 2.97V, IOH = 8mA	2.2	2.4	-	V
'L' Level Output Voltage	VOL	Qo pin, VDD = 2.97V, IOL = 8mA	-	0.3	0.4	V
Supply Current 1	Idd1	/INH = OPEN, CL = 15pF, f = 110MHz	-	15	-	mA
Supply Current 2	Idd2	/INH = 'L', f = 110MHz	-	5	-	mA
Input Pull-Up Resistance 1	Rup1	/INH = 'L'	1.0	2.0	4.0	M
Input Pull-Up Resistance 2	Rup2	/INH = 0.7VDD	35	70	140	k
Internal Oscillation Capacity	Cg	R&D Value	-	6.5	-	pF
	Cd	R&D Value	-	6.5	-	pF
Internal Oscillation Feedback Resistance	Rf		-	1.7	-	k
Output Off Leak Current	Ioz	Qo pin, /INH = 'L'	-	-	10	μA

SWITCHING CHARACTERISTICS

XC2163C51AMR/XC2163C51BMR

CMOS DUTY:VDD=3.3V, Ta=25

PARAMETER	SYMBOL	CONDITIONS	STANDARD VALUE			UNITS	
			MIN.	TYP.	MAX.		
Output Rise Time	tr	CL=15pF, 0.1VDD 0.9VDD	-	1.5	-	ns	
Output Fall Time	tf	CL=15pF, 0.9VDD 0.1VDD	-	1.5	-	ns	
Output Duty Cycle	DUTY	C51A	0.5VDD, CL=15pF, f=125MHz	45	-	55	%
		C51B	0.5VDD, CL=15pF, f=110MHz				
Output Disable Delay Time	tplz	CL=15pF	-	-	100	ns	

ELECTRICAL CHARACTERISTICS (Continued)

XC2163C51ZMR

Fosc = 108MHz to 125MHz; Rf = 1.6k , Cg = Cd = 10pF external

(Unless otherwise stated, VDD=5.0V, Ta=25)

PARAMETER	SYMBOL	CONDITIONS	STANDARD VALUE			UNITS
			MIN.	TYP.	MAX.	
Operating Voltage	VDD		4.5	-	5.5	V
'H' Level Input Voltage	VIH	/INH pin	2.4	-	-	V
'L' Level Input Voltage	VIL	/INH pin	-	-	0.4	V
'H' Level Output Voltage	VOH	Qo pin, VDD = 4.5V, IOH = -16mA	3.9	4.2	-	V
'L' Level Output Voltage	VOL	Qo pin, VDD = 4.5V, IOL = 16mA	-	0.3	0.4	V
Supply Current 1	IDD1	/INH = OPEN, CL = 15pF, f = 120MHz	-	31	-	mA
Supply Current 2	IDD2	/INH = 'L', f = 120MHz	-	14	-	mA
Input Pull-Up Resistance 1	Rup1	/INH = 'L'	0.5	1.0	2.0	M
Input Pull-Up Resistance 2	Rup2	/INH = 0.7VDD	25	50	100	k
Output Off Leak Current	Ioz	Qo pin, /INH = 'L'	-	-	10	μA

SWITCHING CHARACTERISTICS

XC2163C51ZMR

CMOS DUTY : VDD=5.0V, Ta=25

PARAMETER	SYMBOL	CONDITIONS	STANDARD VALUE			UNITS
			MIN.	TYP.	MAX.	
Output Rise Time	tr	CL=15pF, 0.1VDD 0.9VDD	-	1.5	-	ns
Output Fall Time	tf	CL=15pF, 0.9VDD 0.1VDD	-	1.5	-	ns
Output Duty Cycle	DUTY	0.5VDD, CL=15pF, f=120MHz	45	-	55	%
Output Disable Delay Time	tpLz	CL=15pF	-	-	100	ns
Output Enable Delay Time	tpzL	CL=15pF	-	-	100	ns

The contents can be changed without advance notice.

ELECTRICAL CHARACTERISTICS (Continued)

XC2163C51ZMR

Fosc= 108MHz to 125MHz : Rf = 3.9k , Cg = Cd = 4pF external

(Unless otherwise stated, VDD=3.3V, Ta=25)

PARAMETER	SYMBOL	CONDITIONS	STANDARD VALUE			UNITS
			MIN.	TYP.	MAX.	
Operating Voltage	VDD		2.97	-	3.63	V
'H' Level Input Voltage	VIH	/INH pin	2.4	-	-	V
'L' Level Input Voltage	VIL	/INH pin	-	-	0.4	V
'H' Level Output Voltage	VOH	Qo pin, VDD = 2.97V, IOH = -8mA	2.2	2.4	-	V
'L' Level Output Voltage	VOL	Qo pin, VDD = 2.97V, IOL = 8mA	-	0.3	0.4	V
Supply Current 1	IDD1	/INH = OPEN, CL = 15pF, f = 120MHz	-	15	-	mA
Supply Current 2	IDD2	/INH = 'L', f = 100MHz	-	4	-	mA
Input Pull-Up Resistance 1	Rup1	/INH = 'L'	2.0	4.0	6.0	M
Input Pull-Up Resistance 2	Rup2	/INH = 0.7VDD	70	140	250	k
Output Off Leak Current	Ioz	Qo pin, /INH = 'L'	-	-	10	μA

SWITCHING CHARACTERISTICS

XC2163C51ZMR

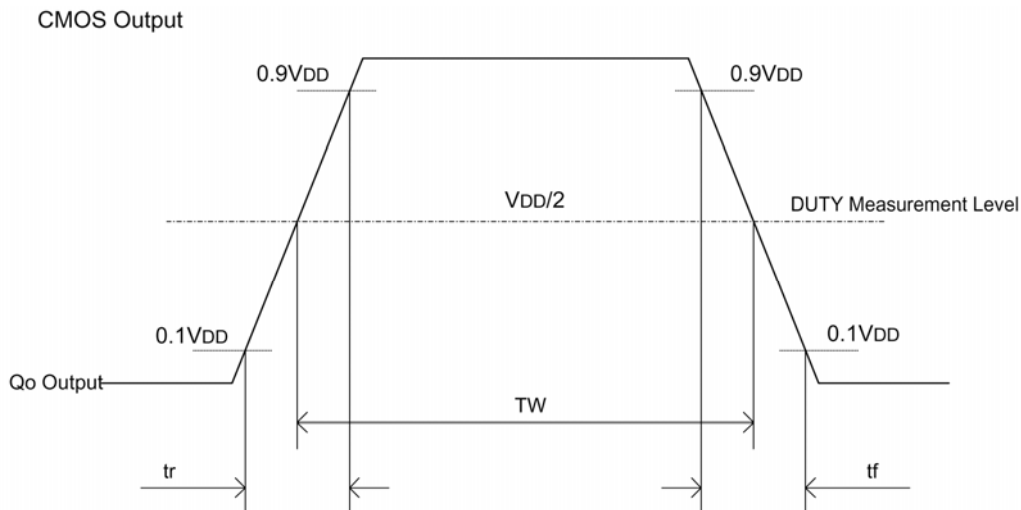
CMOS DUTY : VDD=3.3V, Ta=25

PARAMETER	SYMBOL	CONDITIONS	STANDARD VALUE			UNITS
			MIN.	TYP.	MAX.	
Output Rise Time	tr	CL=15pF, 0.1VDD ~ 0.9VDD	-	1.5	-	ns
Output Fall Time	tf	CL=15pF, 0.9VDD ~ 0.1VDD	-	1.5	-	ns
Output Duty Cycle	DUTY	0.5VDD, CL=15pF, f=120MHz	45	-	55	%
Output Disable Delay Time	tpLz	CL=15pF	-	-	100	ns
Output Enable Delay Time	tpzL	CL=15pF	-	-	100	ns

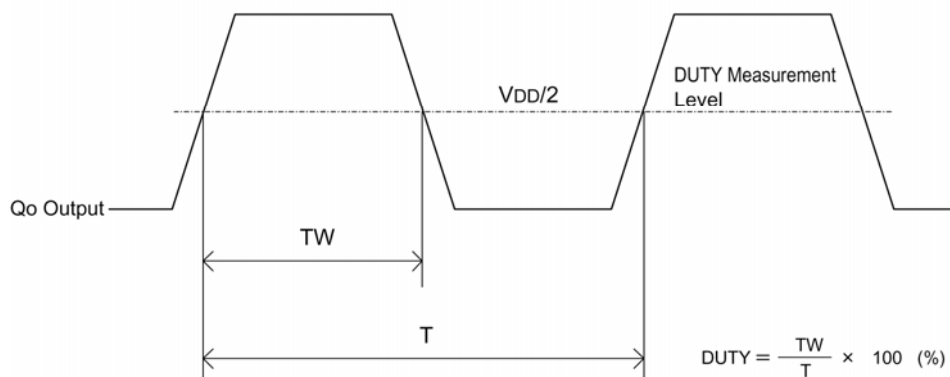
The contents can be changed without advance notice.

SWITCHING CHARACTERISTICS MEASUREMENT WAVEFORMS

(1) Switching Time

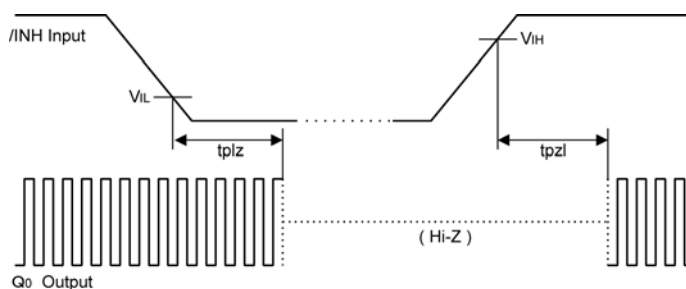


(2) Output Waveform Symmetry



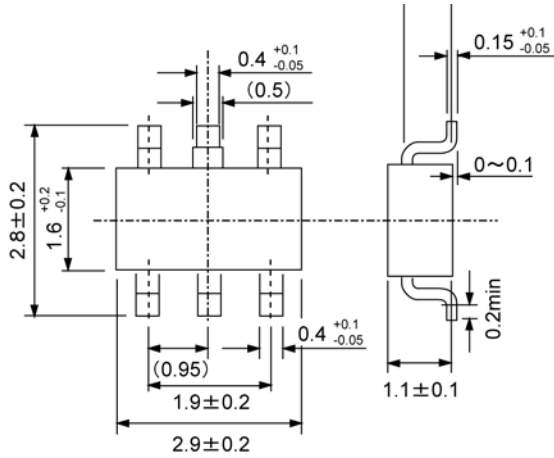
(3) Output Disable Delay Time, Output Enable Delay Time

*) /INH Pin Input Waveform $t_r = t_f = \text{less than } 10\text{ns}$

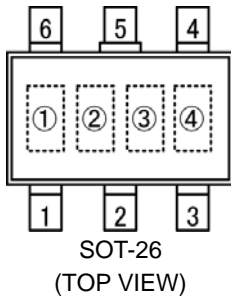


PACKAGING INFORMATION

SOT-26



MARKING RULE



Represents product series

MARK
6

Represents divider ratio

MARK	RATIO	MARK	RATIO
C	$f_0/1$	E	$f_0/4$
D	$f_0/2$	F	$f_0/8$

Represents frequency & Rf, Cg & Cd values

MARK	Frequency (MHz)	
	5.0V	3.3V
A	-	108~125
B	-	93~110
C	108~125	80~95
D	95~110	72~83
E	80~97	65~75
F	68~83	57~67
H	55~70	-
K	45~57	-
L	40~48	-
Z	External	

Represents assembly lot number
(Based on internal standards)

1. The products and product specifications contained herein are subject to change without notice to improve performance characteristics. Consult us, or our representatives before use, to confirm that the information in this datasheet is up to date.
2. We assume no responsibility for any infringement of patents, patent rights, or other rights arising from the use of any information and circuitry in this datasheet.
3. Please ensure suitable shipping controls (including fail-safe designs and aging protection) are in force for equipment employing products listed in this datasheet.
4. The products in this datasheet are not developed, designed, or approved for use with such equipment whose failure or malfunction can be reasonably expected to directly endanger the life of, or cause significant injury to, the user.
(e.g. Atomic energy; aerospace; transport; combustion and associated safety equipment thereof.)
5. Please use the products listed in this datasheet within the specified ranges.
Should you wish to use the products under conditions exceeding the specifications, please consult us or our representatives.
6. We assume no responsibility for damage or loss due to abnormal use.
7. All rights reserved. No part of this datasheet may be copied or reproduced without the prior permission of TOREX SEMICONDUCTOR LTD.

TOREX SEMICONDUCTOR LTD.

Mouser Electronics

Authorized Distributor

Click to View Pricing, Inventory, Delivery & Lifecycle Information:

[Torex Semiconductor:](#)

[XC2163C51FMR-G](#) [XC2163E51EMR-G](#) [XC2163C51ZMR-G](#) [XC2163F51EMR-G](#) [XC2163C51AMR-G](#)
[XC2163C51LMR-G](#)