

**Customer Part:**

**Description**

- Through-hole cylinder crystal in a press-sealed metal can
- -3X8  
Leaded crystal in a press sealed metal can 3 x 8mm
- Model WATCH-3X8
- Model Issue number 13

**Frequency Parameters**

- Frequency 32.7680kHz
- Frequency Tolerance ±20.00ppm
- Tolerance Condition @ 25°C
- Overtone Order Fundamental
- Ageing ±5ppm max per year @ 25°C

**Electrical Parameters**

- Load Capacitance (CL) 12.50pF
- Shunt Capacitance (C0) 2.5pF typ
- Drive Level 1.0µW max
- ESR 50.00kΩ max

**Environmental Parameters**

- Drop: 75cm drop (3 times) onto hard wooden board
- Storage Temperature Range: -40 to 85°C

**Compliance**

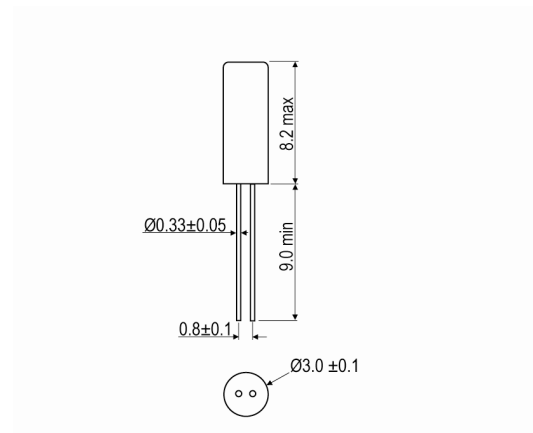
- RoHS Status (2015/863/EU) Compliant
- REACH Status Compliant
- MSL Rating (JDEC-STD-033): Not Applicable

**Packaging Details**

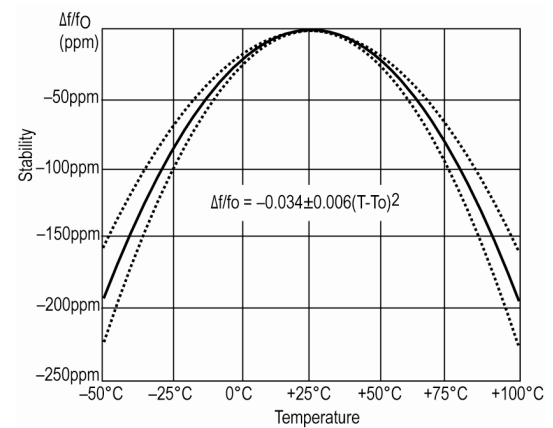
- Pack Style: Bulk Loose in bulk pack  
Standard Pack Quantity: 1,000
- *Alternative packing option available*



**Outline (mm)**



**Typical Frequency Stability Characteristics**



**Sales Office Contact Details:**

UK: +44 (0)1460 270200

Email: [info@iqdfrequencyproducts.com](mailto:info@iqdfrequencyproducts.com)

Web: [www.iqdfrequencyproducts.com](http://www.iqdfrequencyproducts.com)

# Mouser Electronics

Authorized Distributor

Click to View Pricing, Inventory, Delivery & Lifecycle Information:

[IQD Frequency Products:](#)

[LFXTAL002995Bulk](#)