

SmartBond™ DA1469x Product Family

DA14691/5/7/9

The world's most advanced wireless microcontroller product family

Sense, process and communicate ...



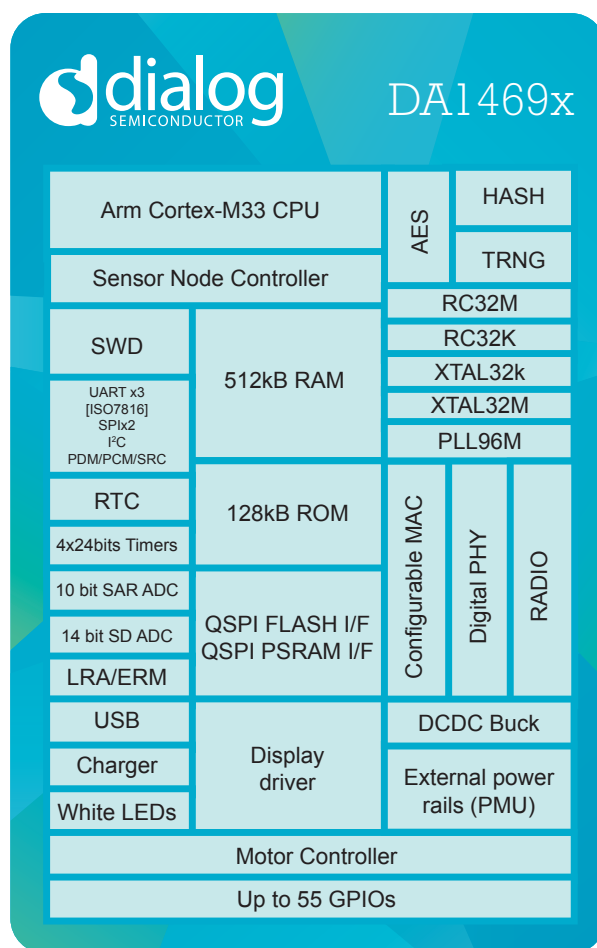
The SmartBond™ DA1469x family of Bluetooth® low energy solutions is Dialog's most advanced, feature rich range of multi-core microcontroller units for wireless connectivity. The new product family builds off the successes of Dialog's SmartBond line, boasting three new cores that offer greater processing power, resources, range and battery life, enabling developers to push the boundaries of a wide array of connected consumer applications.

The DA1469x line provides developers with advanced connectivity features to future-proof their devices and fit the needs of multiple applications. **As the first wireless MCU in production based on the Arm Cortex-M33 processor**, DA1469x products offer developers greater processing power for intensive applications like high-end fitness trackers, advanced smart home devices and virtual reality game controllers.

Additionally, these wireless MCUs have a Configurable MAC which enable manufacturers to deploy proprietary 2.4 GHz and the latest Bluetooth low energy protocol, opening up new possibilities such as accurate positioning for Real Time Location Systems (RTLS) and low latency communication exchange for applications like gaming. And, to enhance their sensing functionality, the line features a Sensor Node Controller (SNC) that runs autonomously and independently processes data from sensors connected to its interfaces.

Finally, the DA1469x family features a state-of-the-art Power Management Unit that utilizes best-in-class power management by controlling the different processing cores and only activating them as needed, while also eliminating the need for a separate PMIC and reducing the overall system size.

Altogether, the DA1469x line represents Dialog's most advanced family of Bluetooth low energy products, perfectly suited to meet the demands of tomorrow's users.



Benefits

- Supports complex applications while guaranteeing extreme low power consumption
- SW programmable protocol engine ensures end products are future proof
- Enables a rich user experience
- Provides banking-level security for application, data and communication
- Saves up to \$1.28 on BoM vs existing wireless MCUs
- Saves up to 38mm² of PCB space (components + routing) vs existing wireless MCUs

Applications

- Fitness trackers
- Sport watches
- Toys
- Consumer appliances
- Home automation
- Industrial automation
- Voice-controlled remote controls
- Access control
- Game controllers and headsets

DA1469x Product Family Selector Guide

Features	DA14691	DA14695	DA14697	DA14699
MCU	Cortex-M33F, Cortex-M0+, SNC	Cortex-M33F, Cortex-M0+, SNC	Cortex-M33F, Cortex-M0+, SNC	Cortex-M33F, Cortex-M0+, SNC
RAM size	384kB	512kB	512kB	512kB
Multi-core	yes	yes	yes	yes
USB Controller and USB pins	yes	yes	yes	yes
1.8V and 3.0V power rails	yes	yes	yes	yes
Audio Processing Unit	yes	yes	yes	yes
Parallel LCD Controller	no	yes	yes	yes
Charger	no	yes	yes	yes
QSPI RAM controller	no	yes	yes	yes
White LEDs	no	no	yes	yes
LRA/ERM	no	no	yes	yes
Motor Controller	no	no	no	yes

Software and Hardware Tools

The DA1469x family parts are supported by Dialog SmartSnippets™ Studio, a royalty-free software development platform for all SmartBond devices.

SmartSnippets Studio contains:

- ▶ SmartSnippets Toolbox: A tool suite covering all software development needs, including power profiling, Flash or OTP programming and testing
- ▶ SmartSnippets IDE: An Eclipse CDT-based IDE with pre-configured plugins for easy out of the box set-up of the build / debug environment
- ▶ SmartSnippets DA1469x Software Development Kit and documentation

Key Features

Enabling tomorrow's applications today

Powerful Application Processor

- 32-bit Arm Cortex-M33 microcontroller with floating point unit
- Up to 144 Dhrystone MIPS
- CoreMark score 3.574 CM/MHz
- Dynamically controllable clock frequency from 32 kHz up to 96 MHz
- 4-way associative cache controller with 16 kB cache RAM memory
- Secure Execute in Place (XIP) from QSPI FLASH with on-the-fly image decryption
- 512 kBytes of RAM
- QSPI RAM at system speed for RAM expansion

Configurable MAC processor

- Arm Cortex-M0+ microcontroller with hardware accelerators
- Dedicated AES128 engine
- Supports Bluetooth 5.2 and proprietary 2.4 GHz protocols

Sensor Node Controller

- Programmable dedicated micro-DSP for data acquisition
- DMA operation for storing data from sensors to RAM

Integrated Power Management

- Wide input voltage range: 2.4 V - 4.75 V
- Integrated SIMO DC/DC buck converter
- Integrated LDOs for active and sleep operation
- Brownout detection on all power rails
- External power supply rails: two 1.8V rails and one 3.3V rail for external components (50mA each)
- Fully JEITA-compliant charger for Lithium-Ion and Lithium-Polymer batteries
- USB charge detection and protection

Dedicated Crypto engine

- AES-256 all modes of operation
- True Random Number Generator
- Hash functions: SHA-1, SHA-2, SHA-512 accelerators

RF performance

- Configurable transmit output power up to +6 dBm
- Receive sensitivity: -97 dBm
- Integrated balun
- 50 Ω matched single-wire antenna interface
- Coexistence interface for multi-radio systems

Selection of digital and analog interfaces

- 55 (BGA100) or 44 (BGA86) general purpose I/Os with programmable voltage levels
- Haptic Driver for LRA/ERM support, 250mA maximum drive
- Parallel/SPI LCD Controller with dedicated DMA
- Motor controller with autonomous FSM driving up to 20 GPIOs with PWM waveforms
- Three UARTs up to 1 Mbps, one UART extended with ISO7816 support
- Two SPI+ interfaces
- Two I2C controllers at 100 kHz, 400 kHz or 3.4 MHz
- PDM interface with HW sample rate converter (2 mics or 2 speakers)
- I2S/PCM master/slave interface up to 8 channels
- USB Full Speed (FS) device interface
- 8-channel 10-bit SAR-ADC with oversampling (11b ENOB), 3.4 Msamples/sec
- 8-channel 14-bit $\Sigma\Delta$ -ADC, 1 ksamples/sec
- Two matched white LED drivers
- Real Time Clock and four 24-bit General Purpose Timers
- Temperature sensor

Ordering Information

DA1469x SoC's

Part number	Package	Pitch (mm)	Size (mm)	Shipment	Pack Quantity
DA14691-00000HQ2	VFBGA86	0.55	6x6	Reel	4k
DA14695-00000HQ2	VFBGA86	0.55	6x6	Reel	4k
DA14697-00000HR2	VFBGA100	0.475	5x5	Reel	5k
DA14699-00000HR2	VFBGA100	0.475	5x5	Reel	5k

DA1469x Development Kits

Part number	Description
DA14695-00HQDEVKT-U	USB development kit for DA14695 for SW development Supports mikroBUS™ shields
DA14695-00HQDEVKT-P	Pro development kit for DA14695 for SW development and power measurements: includes motherboard, daughterboard and cables Supports Arduino and mikroBUS™ shields
DA14695-00HQDB-P	Daughterboard for DA14695 to be used with Pro development kit
DA14699-00HRDB-P	Daughterboard for DA14699 to be used with Pro development kit



DA14695
Development
Kit-Pro



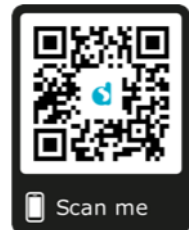
DA14695
Development
Kit-USB



DA14695
Daughterboard



DA14699
Daughterboard



For more information and purchasing please visit;

<https://www.dialog-semiconductor.com/products/da1469x-product-family>

Dialog Semiconductor Worldwide Sales Offices

www.dialog-semiconductor.com email: info@diasemi.com

United Kingdom
Phone: +44 1793 757700

Korea
Phone: +82 2 3469 8200

Hong Kong
Phone: +852 3769 5200

The Netherlands
Phone: +31 73 640 88 22

Germany
Phone: +49 7021 805-0

China (Shenzhen)
Phone: +86 755 2981 3669

Japan
Phone: +81 3 5769 5100

North America
Phone: +1 408 845 8500

China (Shanghai)
Phone: +86 21 5424 9058

Singapore
Phone: +65 648 499 29

Taiwan
Phone: +886 281 786 222

This publication is issued to provide outline information only, which unless agreed by Dialog Semiconductor may not be used, applied, or reproduced for any purpose or be regarded as a representation relating to products. All use of Dialog Semiconductor products, software and applications referred to in this document are subject to Dialog Semiconductor's Standard Terms and Conditions of Sale, available on the company website (www.dialogsemiconductor.com) unless otherwise stated. Dialog and the Dialog logo are trademarks of Dialog Semiconductor plc or its subsidiaries. All other product or service names are the property of their respective owners. © Copyright 2019 Dialog Semiconductor. All rights reserved.

Mouser Electronics

Authorized Distributor

Click to View Pricing, Inventory, Delivery & Lifecycle Information:

[Dialog Semiconductor:](#)

[DA14695-00HQDEVKT-P](#)